



## Unitary Side Discharge Split System 24VAC Control

**Submittal Data: FLEXX60HP230V1A** 60000 BTU/H (208/230V) HEAT PUMP SYSTEM

Job Name	Location	Date
Purchaser	Engineer	
Submitted To	For <input type="checkbox"/> Reference <input type="checkbox"/> Approval <input type="checkbox"/> Construction	
Unit Designation	Schedule No.	

- GENERAL FEATURES**
- Side Discharge Outdoor Unit
  - Zero Lot Line Design
  - Match with Gree or Competitive Indoor Unit
  - Designed for New Construction or Replacement Market
  - Quiet Outdoor Operation - 55 dB(A)
  - 24VAC Thermostat Compatible
  - Acrylic Resin/Anti-Corrosion Fin Coating
  - 5 yr. Limited Compressor & Parts Warranty (Residential Only)



**System Ratings**

<b>Cooling</b>	
Rated Capacity (BTU/H)	54000
Capacity Range (BTU/H)	35000-54000
Power Input (W)	5140
SEER	17
EER	10.5

<b>Heating</b>	
Rated Capacity at 47° F (BTU/H)	54000
Capacity Range (BTU/H)	35000-60000
Power Input (W)	4590
HSPF	10
COP	3.45

<b>Heating</b>	
Rated Capacity at 17° F (BTU/H)	38000
Power Input (W)	4230
COP	2.63

<b>Operating Range</b>			
Cooling	(Max)	129°F (46°C)	
	(Min)	5°F (-18°C)	
Heating	(Max)	75°F (24°C)	
	(Min)	-22°F (-30°C)	

<b>Refrigerant Piping Data</b>	
Gas Pipe Size - OD (in)	3/4
Liquid Pipe Size - OD (in)	3/8
Connection Method	Braze
Factory Charge (oz)	220.8
Additional Charge (oz/ft)	0.3
Factory Charge Length (ft)	25
MAX Refrigerant Pipe Length (ft)	98
MIN Refrigerant Pipe Length (ft)	15
MAX Refrigerant Pipe Elevation (ft)	49

**Indoor Unit Data - FLEXX60HP230V1AH**

<b>Fan Motor</b>	Output Power (HP)	1
	FLA (A)	3.2
<b>Airflow</b>		
CFM	1600	
Rated External Static Pressure	0.2	
External Static Pressure Range (InWg)	0-4	
Sound Pressure Level (dB(A))	51	
<b>Dehumidification ( pt/hr)</b>		
7		
<b>Power Supply (Dedicated Circuit: Size Per Local Code)</b>		
Normal Operational Voltage	208/230 V, 1 Phase, 60 Hz	
Voltage Range	187 - 253 V	
MCA (A)	4	
MOCP/Breaker Size (A)	15	

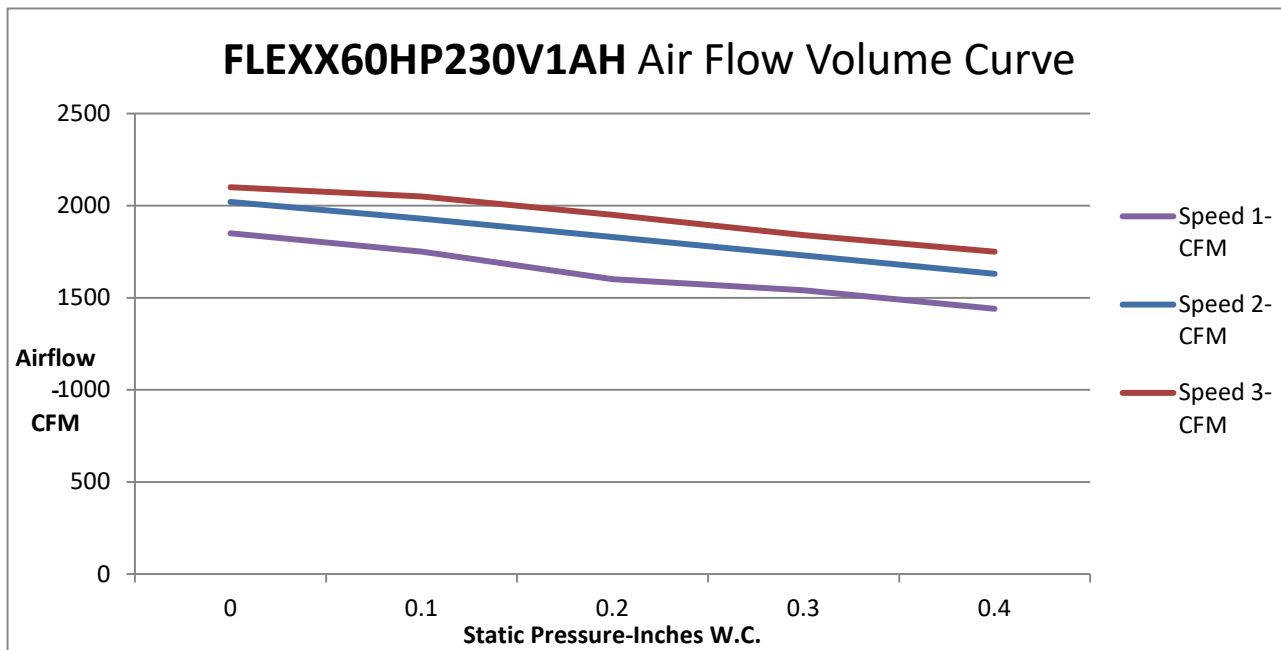
**Outdoor Unit Data - FLEXX60HP230V1AO**

<b>Compressor</b>		DC Inverter Driven Rotary
RLA (A)	19	
<b>Refrigerant Type</b>		
R410A		
<b>Fan Motor</b>		
Output Power (HP)	1/5 x 2	
FLA (A)	1.5 x 2	
<b>Crankcase Heater (W)</b>		
40		
<b>Sound Pressure Level - dB(A)</b>		
58		
<b>Power Supply (Dedicated Circuit: Size Per Local Code)</b>		
Normal Operational Voltage	208/230 V, 1 Phase, 60 Hz	
Voltage Range (V)	187 - 253	
MCA (A)	35	
MOCP/Breaker Size (A)	45	

**Features Summary****FLEXX60HP230V1A**

<b>SYSTEM FEATURES</b>	
Compressor	Inverter
Ultra Low Frequency Torque Control	YES
Power Factor Correction	YES
Compressor Type	Rotary
Refrigerant Type	R410A
Outdoor Electronic Expansion Valve (EEV)	YES
Indoor TXV Control	YES
Basepan With Electric Heater	YES
Compressor With Electric Heater	YES
Outdoor Fin Coating	Acrylic Resin
Intelligent Defrosting	YES
Intelligent Preheating	YES
Low Voltage Startup	YES
Memory/Power Failure Recovery	YES
Self Diagnosis	YES
Low Ambient Cooling	YES
24VAC Thermostat Compatible	YES
Indoor Fan Type	Centrifugal
Multi Fan Speeds	3 Speeds
Auxiliary Electrical Heater	Optional

**FAN PERFORMANCE CURVES**



Static Pressure - InWc	0	0.1	0.2	0.3	0.4
Speed 1-CFM	1850	1750	1600	1540	1440
Speed 2-CFM	2020	1930	1830	1730	1630
Speed 3-CFM	2100	2050	1950	1840	1750

**COOLING PERFORMANCE**

Outdoor Ambient Temperature (DB)		Return Air Temperature											
		60°F(15°C)				70°F(21°C)				80°F(27°C)			
		Capacity	Power Input	EER	SHC	Capacity	Power Input	EER	SHC	Capacity	Power Input	EER	SHC
MAX OUTPUT	50°F	32500	3040	10.69	23080	42500	3610	11.77	30170	50000	3800	13.15	35500
	65°F	35100	3400	10.32	24920	45900	4030	11.36	32590	54000	4250	12.70	38340
	75°F	35100	3520	9.97	24920	45900	4180	10.98	32590	54000	4400	12.27	38340
	85°F	35100	3640	9.64	24920	45900	4320	10.61	32590	54000	4550	11.86	38340
	95°F	35100	4040	8.68	24920	45900	4790	9.56	32590	54000	5050	10.69	38340
	105°F	35100	5340	6.56	24920	45900	6340	7.23	32590	54000	6680	8.08	38340
	115°F	29900	4560	6.55	21230	39100	5410	7.22	27760	46000	5700	8.07	32660

**HEATING PERFORMANCE**

Outdoor Ambient Temperature (DB)		Return Air Temperature											
		60°F(15°C)				70°F(21°C)				80°F(27°C)			
		TC (BtuH)	Input Power (watts)	COP		TC (BtuH)	Input Power (watts)	COP		TC (BtuH)	Input Power (watts)	COP	
MAX OUTPUT	-22°F	28380	6220	1.34		28100	6350	1.30		27540	6410	1.26	
	-15°F	31310	6370	1.44		31000	6500	1.40		30380	6560	1.36	
	-5°F	36360	6610	1.61		36000	6750	1.56		35280	6820	1.51	
	5°F	43730	6960	1.84		43300	7100	1.79		42430	7170	1.73	
	17°F	53330	6660	2.34		52800	6800	2.27		51740	6870	2.21	
	32°F	54540	6470	2.47		54000	6600	2.40		52920	6660	2.33	
	47°F	55550	4900	3.32		55000	5000	3.22		53900	5050	3.13	
	60°F	60600	5190	3.42		60000	5300	3.32		58800	5350	3.22	

NOTE: THESE VALUES ARE BASED ON COMPUTER SIMULATIONS

LEGEND

DB --- Dry Bulb

WB --- Wet Bulb

TC --- Total Capacity (BtuH)

SC --- Sensible Capacity (BtuH)

Input Power---(Watts)

COP---Coefficient Of Performance

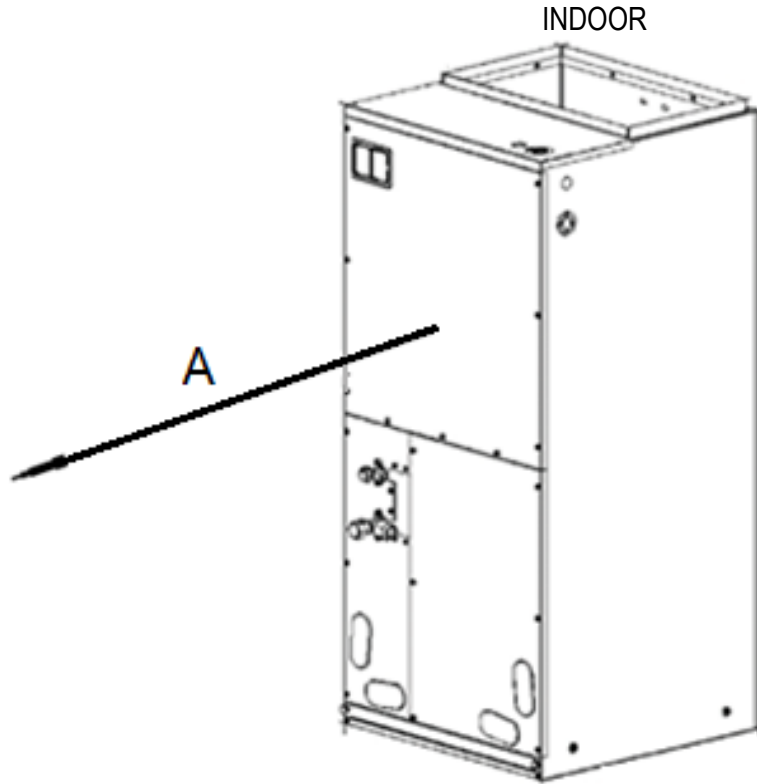
Specifications are subject to change without notice. Manufacturer reserves the right to discontinue or modify specifications or designs

without notice or without incurring obligations. All rights reserved.

**Submittal Data: FLEXX60HP230V1AH**

**MINIMUM SPACING REQUIREMENTS**

Units: inches



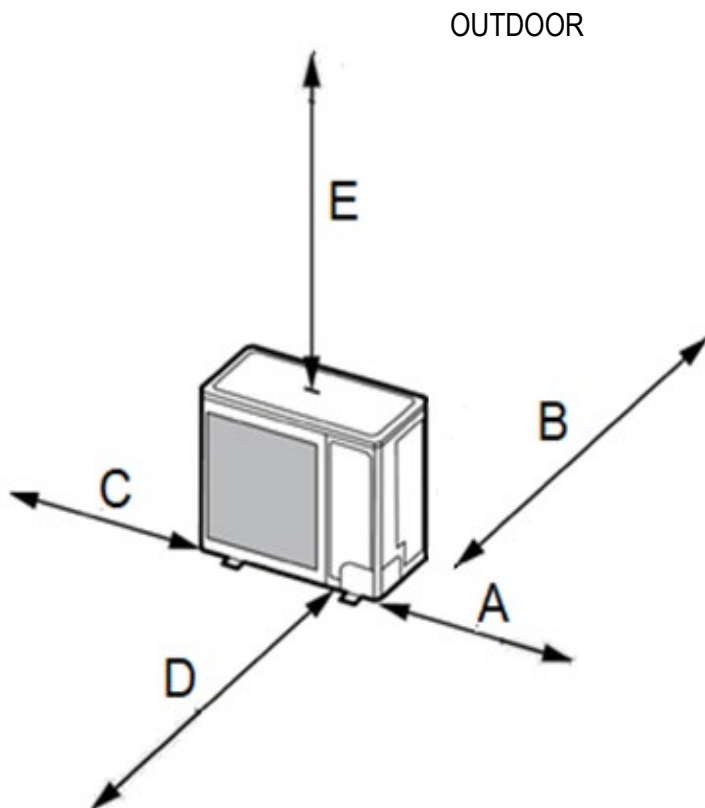
A	24
ALL OTHER SIDES	0

ALWAYS CHECK AND FOLLOW STATE AND LOCAL CODE REGULATIONS FOR MINIMUM SPACING REQUIREMENTS

**FLEXX60HP230V1AO**

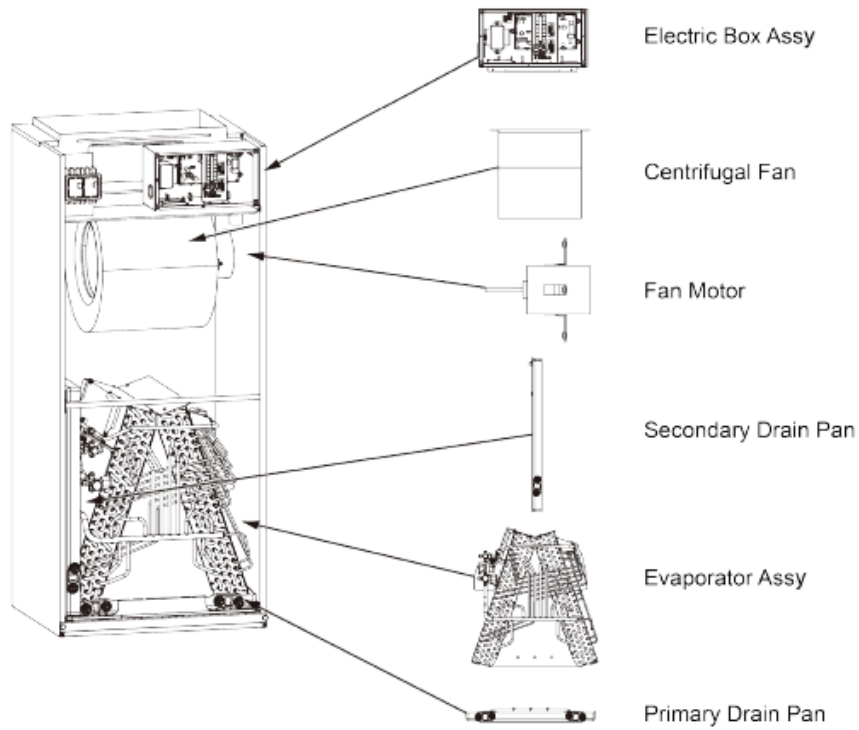
**MINIMUM SPACING REQUIREMENTS**

Units: inches



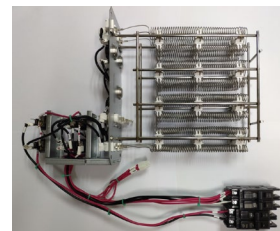
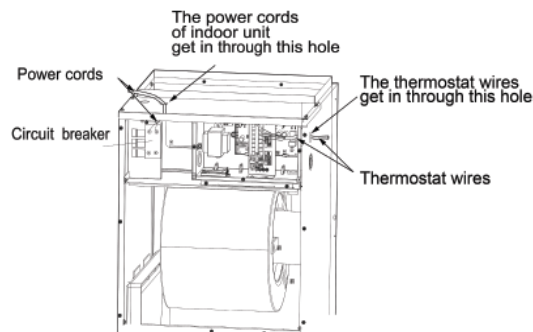
A	12
B	4
C	4
D	40
E	40

ALWAYS CHECK AND FOLLOW STATE AND LOCAL CODE REGULATIONS FOR MINIMUM SPACING REQUIREMENTS



Model	Cooling Capacity (ton)	Optional Electric Heater	KW
FLEXX36,48,60HP230V1AH	3.0 / 4.0 / 5.0	FLEXXHTR10KW	10
FLEXX48,60HP230V1AH	4.0 / 5.0	FLEXXHTR15KW	15
FLEXX48,60HP230V1AH	4.0 / 5.0	FLEXXHTR20KW	20

Power Supply	V	240	240	240	240	240
Rated Power	kW			10	15	20
Min. Circuit Ampacity	A			50	50 & 25	50 & 50
Max. Fuse or Breaker Ampacity	A			60	60 & 30	60 & 60

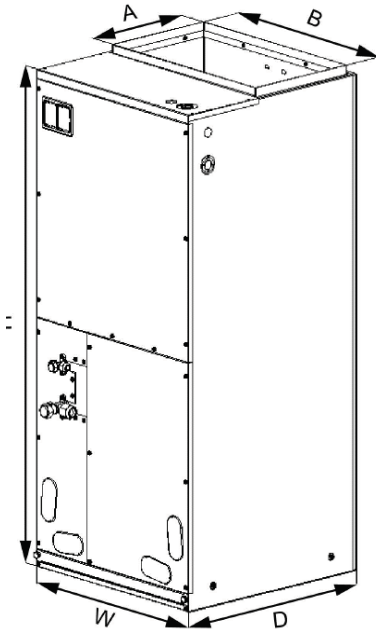


## DIMENSIONAL SPECIFICATIONS

**FLEXX60HP230V1AH**

### INDOOR UNIT DIMENSIONS & WEIGHTS

Units: inch



W	24-3/4
D	21-1/4
H	57-1/4
A	11-5/8
B	20

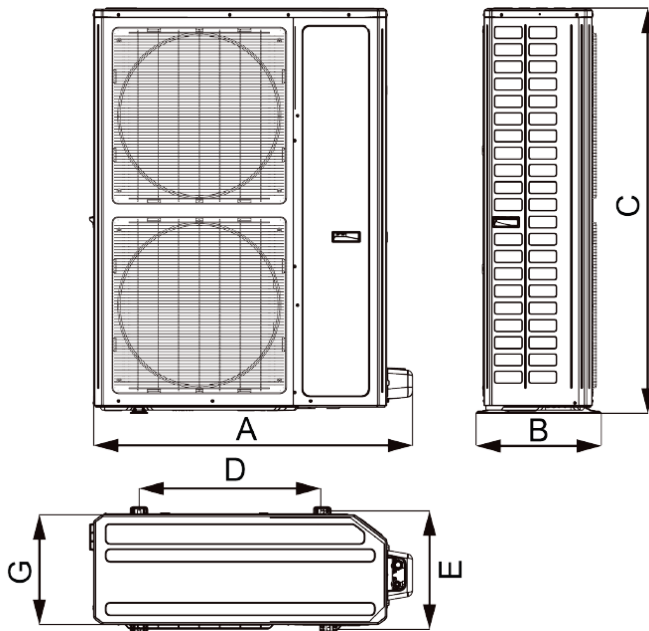
Net Weight (lbs)	202.8
Shipping Weight (lbs)	218

Liquid Line Valve	3/8-in OD Brazed
Gas Line Valve	3/4-in OD Brazed
Drain Connector	3/4 in OD

### FLEXX60HP230V1AO

### OUTDOOR UNIT DIMENSIONS & WEIGHTS

Units: inch



A	42-3/4
B	16-7/8
C	53-3/4
D	24-1/2
E	15-1/2
G	14-1/2

Net Weight (lbs)	308.6
Shipping Weight (lbs)	337

Liquid Line Valve	3/8-in OD Brazed
Gas Line Valve	3/4-in OD Brazed

**Notes:**

1. Power wiring size must comply with applicable national and local codes for both ID and OD dedicated circuits.
2. Test conditions are based on AHRI 210/240.

Specifications are subject to change without notice. Manufacturer reserves the right to discontinue or modify specifications or designs without notice or without incurring obligations. All rights reserved.