



Unitary Side Discharge Split System 24VAC Control

Submission Data: FLEXX36HP230V1A 36000 BTU/H (208/230V) HEAT PUMP SYSTEM

Job Name	Location	Date
Purchaser	Engineer	
Submitted To	For <input type="checkbox"/> Reference <input type="checkbox"/> Approval <input type="checkbox"/> Construction	
Unit Designation	Schedule No.	

GENERAL FEATURES

- Side Discharge Outdoor Unit
- Zero Lot Line Design
- Match with Gree or Competitive Indoor Unit
- Designed for New Construction or Replacement Market
- Quiet Outdoor Operation - 55 dB(A)
- 24VAC Thermostat Compatible
- Acrylic Resin/Anti-Corrosion Fin Coating
- 5 yr. Limited Compressor & Parts Warranty (Residential Only)



System Ratings

Cooling	
Rated Capacity (BTU/H)	36000
Capacity Range (BTU/H)	18000 - 37000
Power Input (W)	3270
SEER	18
EER	11

Heating	
Rated Capacity at 47° F (BTU/H)	36000
Capacity Range (BTU/H)	18000 - 38000
Power Input (W)	3010
HSPF	10.0
COP	3.5

Heating	
Rated Capacity at 17° F (BTU/H)	24400
Power Input (W)	2860
COP	2.5

Operating Range		
Cooling	(Max)	129°F (46°C)
	(Min)	5°F (-18°C)
Heating	(Max)	75°F (24°C)
	(Min)	-22°F (-30°C)

Refrigerant Piping Data	
Gas Pipe Size - OD (in)	3/4
Liquid Pipe Size - OD (in)	3/8
Connection Method	Braze
Factory Charge (oz)	148.8
Additional Charge (oz/ft)	0.3
Factory Charge Length (ft)	25
MAX Refrigerant Pipe Length (ft)	98
MIN Refrigerant Pipe Length (ft)	15
MAX Refrigerant Pipe Elevation (ft)	49

Indoor Unit Data - FLEXX36HP230V1AH

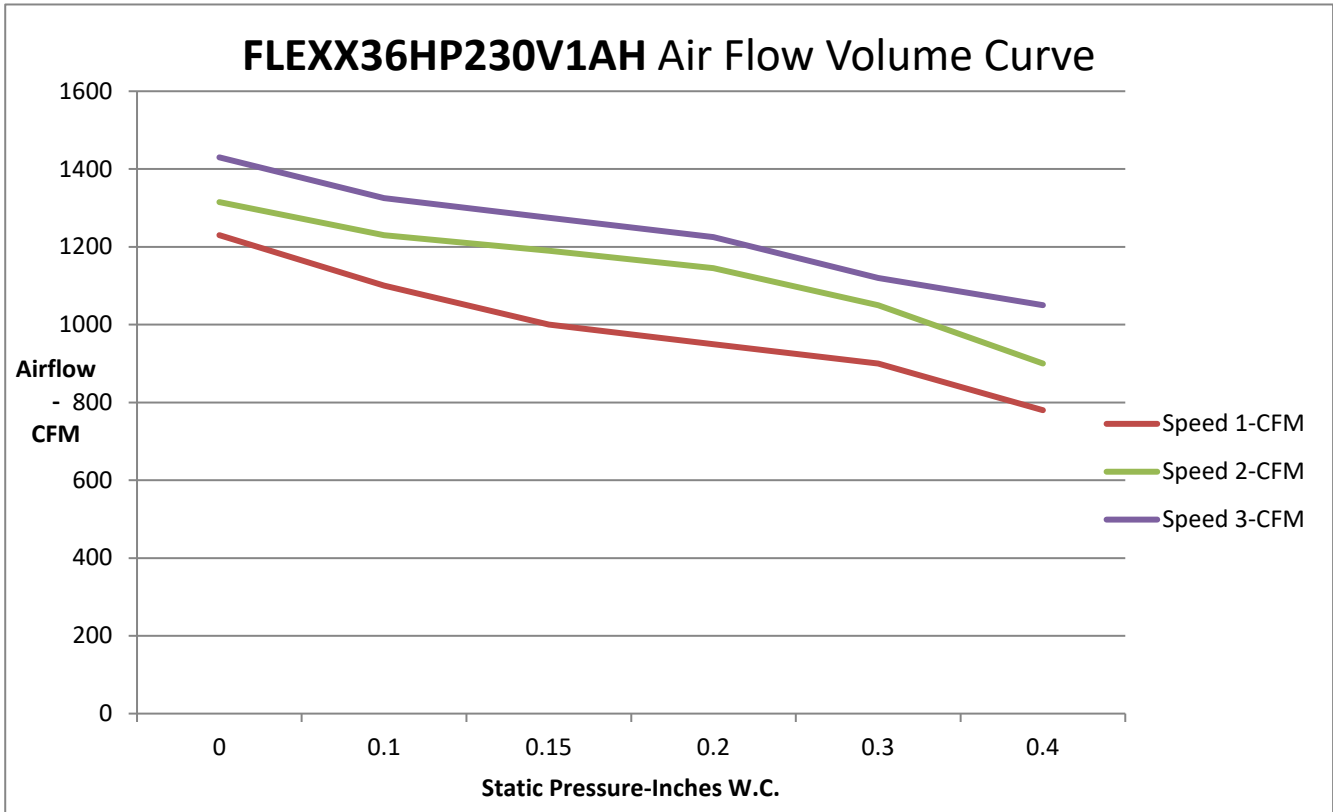
Fan Motor	Output Power (HP)	1/2
	FLA (A)	2.1
Airflow	CFM	1000
	Rated External Static Pressure	0.15
	External Static Pressure Range (InWg)	0-4
	Sound Pressure Level (dB(A))	47
Dehumidification (pt/hr)		6
Power Supply (Dedicated Circuit: Size Per Local Code)		
	Normal Operational Voltage	208/230 V, 1 Phase, 60 Hz
	Voltage Range	187 - 253 V
	MCA (A)	4
	MOCB/Breaker Size (A)	15

Outdoor Unit Data - FLEXX36HP230V1AO

Compressor	DC Inverter Driven Rotary	
	RLA (A)	16
Refrigerant Type	R410A	
Fan Motor	Output Power (HP)	1/5
	FLA (A)	1.5
Crankcase Heater (W)	40	
Sound Pressure Level - dB(A)	55	
Power Supply (Dedicated Circuit: Size Per Local Code)		
	Normal Operational Voltage	208/230 V, 1 Phase, 60 Hz
	Voltage Range (V)	187 - 253
	MCA (A)	24
	MOCB/Breaker Size (A)	35

SYSTEM FEATURES	
Compressor	Inverter
Ultra Low Frequency Torque Control	YES
Power Factor Correction	YES
Compressor Type	Rotary
Refrigerant Type	R410A
Outdoor Electronic Expansion Valve (EEV)	YES
Indoor TXV Control	YES
Basepan With Electric Heater	YES
Compressor With Electric Heater	YES
Outdoor Fin Coating	Acrylic Resin
Intelligent Defrosting	YES
Intelligent Preheating	YES
Low Voltage Startup	YES
Memory/Power Failure Recovery	YES
Self Diagnosis	YES
Low Ambient Cooling	YES
24VAC Thermostat Compatible	YES
Indoor Fan Type	Centrifugal
Multi Fan Speeds	3 Speeds
Auxiliary Electrical Heater	Optional

FAN PERFORMANCE CURVES



Static Pressure - InWc	0	0.1	0.15	0.2	0.3	0.4
Speed 1-CFM	1230	1100	1000	950	900	780
Speed 2-CFM	1315	1230	1190	1145	1050	900
Speed 3-CFM	1430	1325	1275	1225	1120	1050

COOLING PERFORMANCE

Outdoor Ambient Temperature (DB)		Return Air Temperature											
		60 (15°C)				70 (21°C)				80°F (27°C)			
		Capacity	Power Input	EER	SHC	Capacity	Power Input	EER	SHC	Capacity	Power Input	EER	SHC
MAX OUTPUT	50°F	23400	2120	11.03	16510	30600	2510	12.19	21590	36000	2650	13.58	25400
	65°F	24050	2080	11.56	16900	31450	2470	12.73	22100	37000	2600	14.23	26000
	75°F	23400	2240	10.44	16614	30600	2710	11.29	21726	36000	2800	12.86	25560
	85°F	23400	2400	9.75	16575	30600	2850	10.73	21675	36000	3000	12.00	25500
	95°F	23400	2610	8.96	16380	30600	3100	9.87	21420	36000	3270	11.00	25200
	105°F	23400	3680	6.35	16185	30600	4370	7	21165	36000	4600	7.82	24900
	115°F	21450	3440	6.23	15730	28050	4080	6.87	20570	33000	4300	7.67	24200

HEATING PERFORMANCE

Outdoor Ambient Temperature (DB)		Return Air Temperature											
		60 (15°C)				70 (21°C)				80 (27°C)			
		TC (BtuH)	Input Power (watts)	COP		TC (BtuH)	Input Power (watts)	COP		TC (BtuH)	Input Power (watts)	COP	
MAX OUTPUT	-22°F	18600	4060	1.34		18430	4150	1.30		18000	4190	1.26	
	-15°F	21300	4340	1.44		21100	4430	1.39		20600	4470	1.35	
	-5°F	25500	4530	1.65		25250	4630	1.60		24750	4670	1.55	
	5°F	30150	4860	1.82		29850	4960	1.76		29253	5010	1.71	
	17°F	36360	5440	1.96		36000	5550	1.90		35280	5600	1.84	
	32°F	36360	4700	2.27		36000	4800	2.20		35280	4850	2.13	
	47°F	36360	3200	3.33		36000	3270	3.22		35280	3300	3.13	
	60°F	38580	3330	3.39		38200	3400	3.29		37400	3400	3.22	

NOTE: THESE VALUES ARE BASED ON COMPUTER SIMULATIONS

LEGEND

DB --- Dry Bulb

WB --- Wet Bulb

TC --- Total Capacity (BtuH)

SC --- Sensible Capacity (BtuH)

Input Power---(Watts)

COP---Coefficient Of Performance

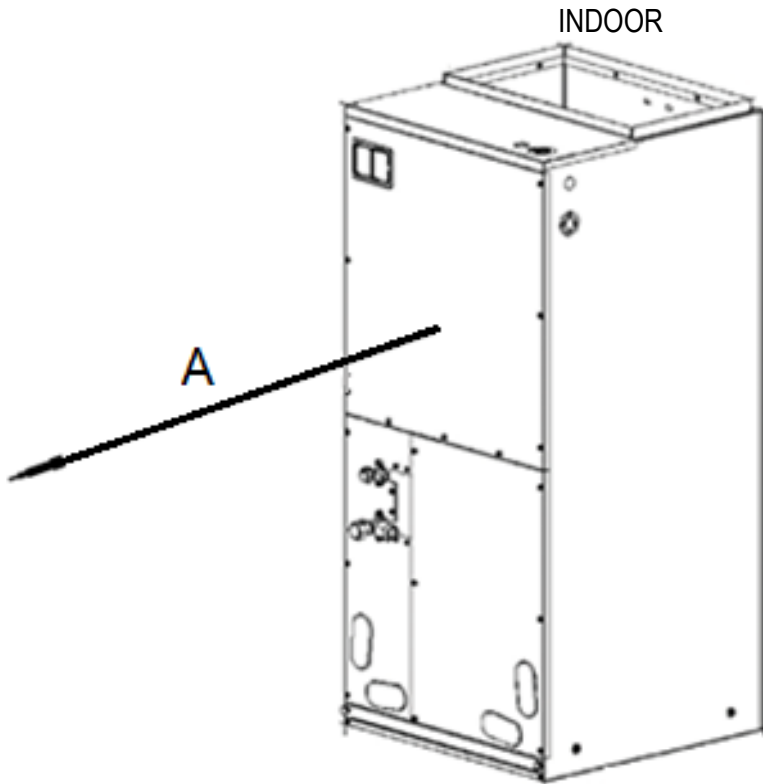
Specifications are subject to change without notice. Manufacturer reserves the right to discontinue or modify specifications or designs

without notice or without incurring obligations. All rights reserved.

Submittal Data: FLEXX36HP230V1AH

MINIMUM SPACING REQUIREMENTS

Units: inches



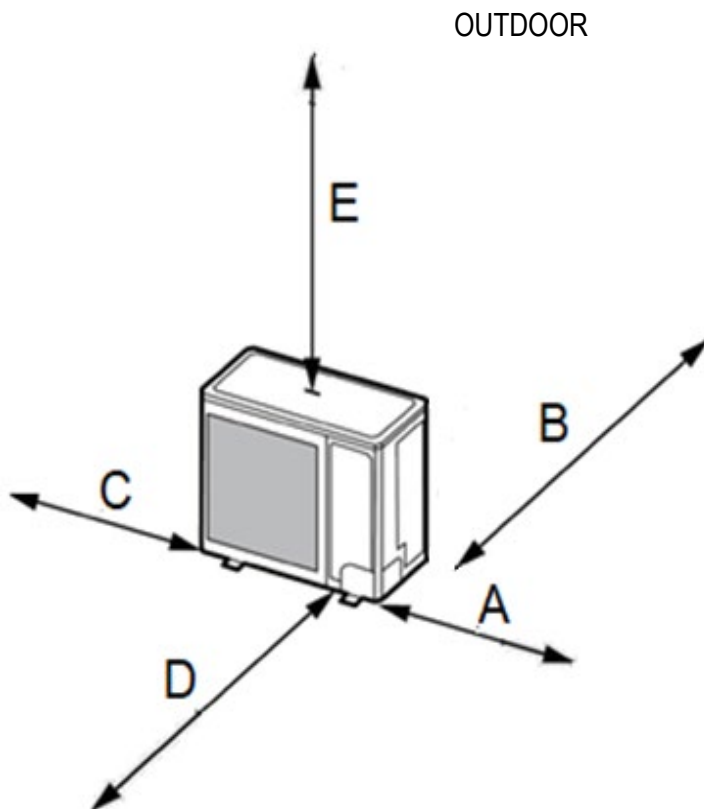
A	24
ALL OTHER SIDES	0

ALWAYS CHECK AND FOLLOW STATE AND LOCAL CODE REGULATIONS FOR MINIMUM SPACING REQUIREMENTS

FLEXX36HP230V1AO

MINIMUM SPACING REQUIREMENTS¹

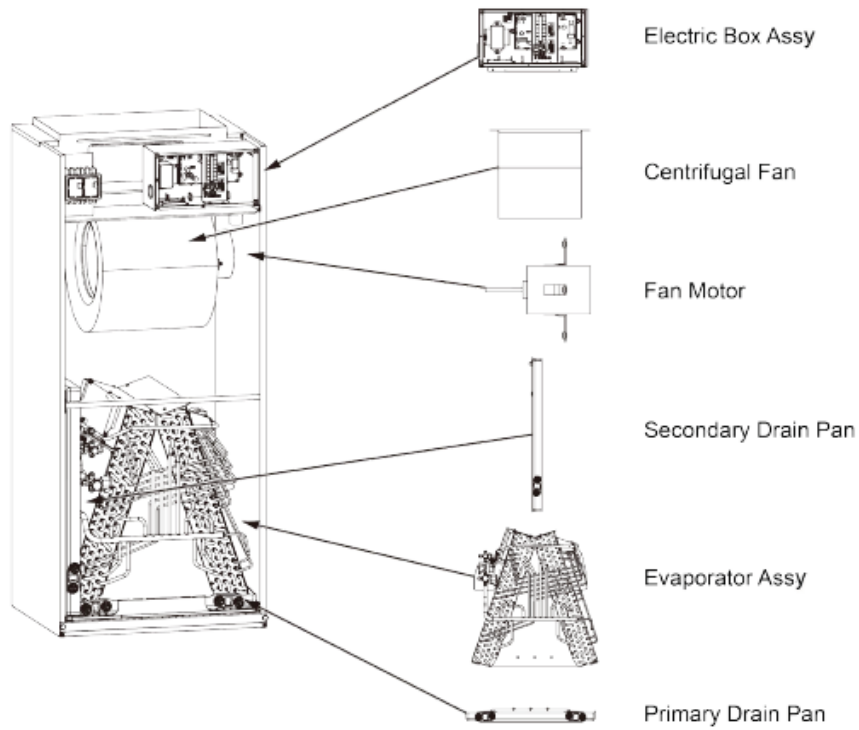
Units: inches



A	12
B	4
C	4
D	40
E	40

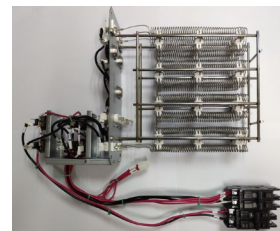
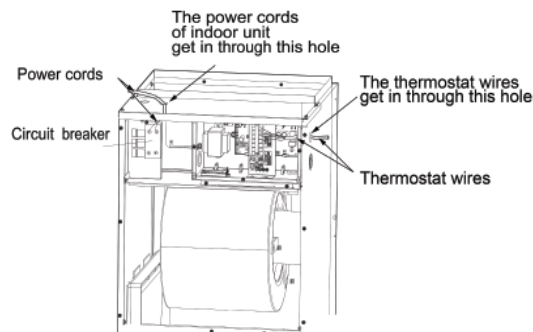
ALWAYS CHECK AND FOLLOW STATE AND LOCAL CODE REGULATIONS FOR MINIMUM SPACING REQUIREMENTS

1. See Installation manual for complete clearance details on single and multiple unit installations.



Model	Cooling Capacity (ton)	Optional Electric Heater	KW
FLEXX24,36HP230V1AH	2.0 / 3.0	FLEXXHTR5KW	5
FLEXX24,36HP230V1AH	2.0 / 3.0	FLEXXHTR8KW	8
FLEXX24,36HP230V1AH	2.0 / 3.0	FLEXXHTR10KW	10

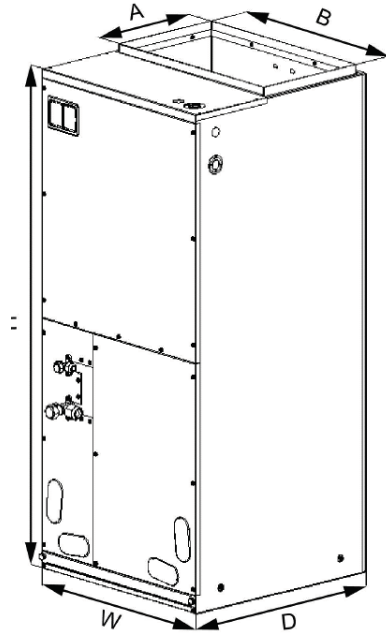
Power Supply	V	240	240	240	240	240
Rated Power	kW	5	8	10		
Min. Circuit Ampacity	A	25	40	50		
Max. Fuse or Breaker Ampacity	A	30	45	60		



DIMENSIONAL SPECIFICATIONS FLEXX36HP230V1AH

INDOOR UNIT DIMENSIONS & WEIGHTS

Units: inch



W	21-1/4
D	21-1/4
H	48-1/4
A	11-5/8
B	20

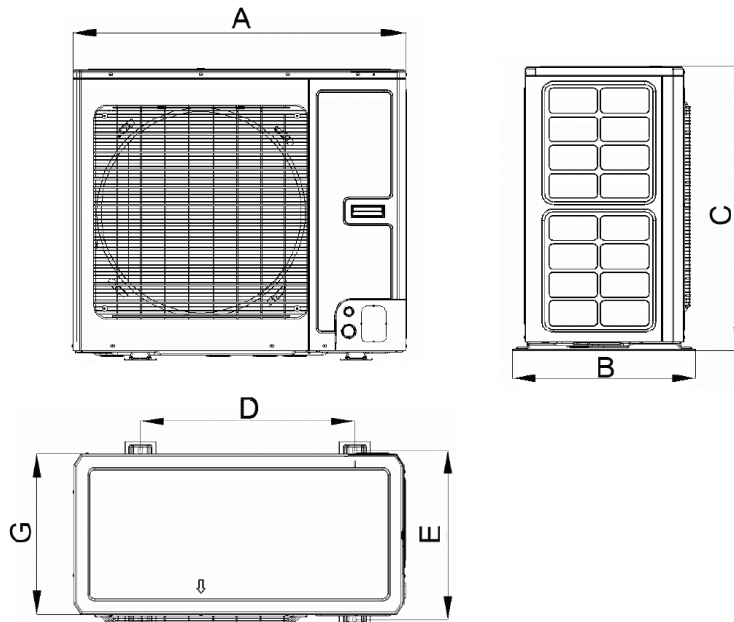
Net Weight (lbs)	156.5
Shipping Weight (lbs)	170

Liquid Line Valve	3/8-in OD Brazed
Gas Line Valve	3/4-in OD Brazed
Drain Connector	3/4 in OD

FLEXX36HP230V1AO

OUTDOOR UNIT DIMENSIONS & WEIGHTS

Units: inch



A	37
B	20-7/8
C	32-1/4
D	24
E	19-1/8
G	18-1/8

Net Weight (lbs)	217.2
Shipping Weight (lbs)	240

Liquid Line Valve	3/8-in OD Brazed
Gas Line Valve	3/4-in OD Brazed

Notes:

1. Power wiring size must comply with applicable national and local codes for both ID and OD dedicated circuits.
2. Test conditions are based on AHRI 210/240.

Specifications are subject to change without notice. Manufacturer reserves the right to discontinue or modify specifications or designs without notice or without incurring obligations. All rights reserved.