



Unitary Side Discharge Split System 24VAC Control

Submittal Data: FLEXX24/36HP230V1A 24000 BTU/H (208/230V) HEAT PUMP SYSTEM

Job Name	Location	Date
Purchaser	Engineer	
Submitted To	For	<input type="checkbox"/> Reference <input type="checkbox"/> Approval <input type="checkbox"/> Construction

Unit Designation _____ Schedule No. _____

- GENERAL FEATURES**
- Side Discharge Outdoor Unit
 - Zero Lot Line Design
 - Match with Gree or Competitive Indoor Unit
 - Designed for New Construction or Replacement Market
 - Quiet Outdoor Operation - 55 dB(A)
 - 24VAC Thermostat Compatible
 - Acrylic Resin/Anti-Corrosion Fin Coating
 - 5 yr. Limited Compressor & Parts Warranty (Residential Only)



System Ratings

Cooling	
Rated Capacity (BTU/H)	24000
Capacity Range (BTU/H)	12000-24000
Power Input (W)	1920
SEER	20
EER	12.5

Heating	
Rated Capacity at 47°F (BTU/H)	24000
Capacity Range (BTU/H)	12000-30000
Power Input (W)	1670
HSPF	10.5
COP	4.2

Heating	
Rated Capacity at 17° (BTU/H)	16300
Power Input (W)	1770
COP	2.70

Operating Range			
Cooling	(Max)		129°F (46°C)
	(Min)		5°F (-18°C)
Heating	(Max)		75°F (24°C)
	(Min)		-22°F (-30°C)

Refrigerant Piping Data	
Gas Pipe Size - OD (in)	3/4
Liquid Pipe Size - OD (in)	3/8
Connection Method	Brazed
Factory Charge (oz)	148.8
Additional Charge (oz/ft)	0.3
Pre-Charge Length (ft)	25
MAX Refrigerant Pipe Length (ft)	98
MIN Refrigerant Pipe Length (ft)	15
MAX Refrigerant Pipe Elevation (ft)	49

Indoor Unit Data - FLEXX24HP230V1AH

Fan Motor	Output Power (HP)	1/2
	FLA (A)	2.1
Airflow	CFM	940
	Rated External Static Pressure	0.1
	External Static Pressure Range (InWg)	0-.4
	Sound Pressure Level (dB(A))	45
Dehumidication (pt/hr)		6
Power Supply (Dedicated Circuit: Size Per Local Code)		
	Normal Operational Voltage	208/230 V, 1 Phase, 60 Hz
	Voltage Range	187 - 253 V
	MCA (A)	4

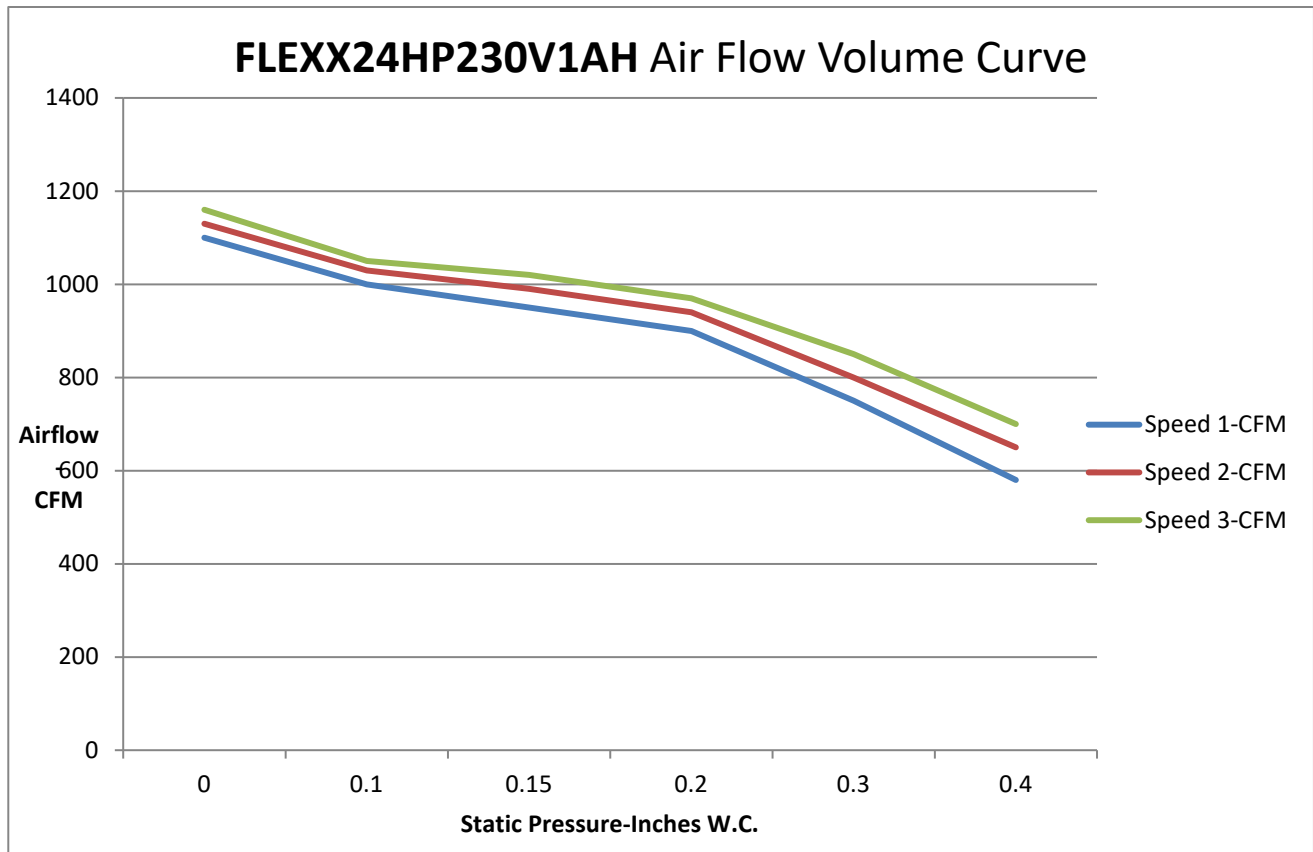
Outdoor Unit Data - FLEXX36HP230V1AO

Compressor	DC Inverter Driven Rotary	
	RLA (A)	16
Refrigerant Type		R410A
Fan Motor	Output Power (HP)	1/5
	FLA (A)	1.5
Crankcase Heater (W)		40
Sound Pressure Level - dB(A)		55
Power Supply (Dedicated Circuit: Size Per Local Code)		
	Normal Operational Voltage	208/230 V, 1 Phase, 60 Hz
	Voltage Range (V)	187 - 253
	MCA (A)	24
	MOCP/Breaker Size (A)	35



SYSTEM FEATURES	
Compressor	Inverter
Ultra Low Frequency Torque Control	YES
Power Factor Correction	YES
Compressor Type	Rotary
Refrigerant Type	R410A
Outdoor Electronic Expansion Valve (EEV)	YES
Indoor TXV Control	YES
Basepan With Electric Heater	YES
Compressor With Electric Heater	YES
Outdoor Fin Coating	Acrylic Resin
Intelligent Defrosting	YES
Intelligent Preheating	YES
Low Voltage Startup	YES
Memory/Power Failure Recovery	YES
Self Diagnosis	YES
Low Ambient Cooling	YES
24VAC Thermostat Compatible	YES
Indoor Fan Type	Centrifugal
Multi Fan Speeds	3 Speeds
Auxiliary Electrical Heater	Optional

FAN PERFORMANCE CURVES



Static Pressure - InWc	0	0.1	0.15	0.2	0.3	0.4
Speed 1-CFM	1050	940	910	850	720	600
Speed 2-CFM	1200	1070	1010	950	820	630
Speed 3-CFM	1280	1180	1130	1080	970	790

COOLING PERFORMANCE

Outdoor Ambient Temperature (DB)		Return Air Temperature											
		60°F(15°C)				70°F(21°C)				80°F(27°C)			
		Capacity	Power Input	EER	SHC	Capacity	Power Input	EER	SHC	Capacity	Power Input	EER	SHC
MAX OUTPUT	50°F	15600	1320	11.81	11970	20400	1560	13.07	15600	24000	1650	16.38	18420
	65°F	15600	1504	10.37	12220	20400	1790	11.4	15980	24000	1880	13.65	18800
	75°F	15600	1096	14.23	12190	20400	1300	15.69	15900	24000	1370	13.31	18760
	85°F	15600	2040	7.64	10810	20400	2420	8.42	14140	24000	2550	12.97	16600
	95°F	15600	2292	6.8	10780	20400	2720	7.49	14100	24000	2865	12.52	16500
	105°F	15600	2560	6.09	10960	20400	3040	6.71	14340	24000	3200	9.55	16870
	115°F	15600	2360	6.61	11990	20400	2800	7.28	15680	24000	2950	8.53	18450

HEATING PERFORMANCE

Outdoor Ambient Temperature (DB)		Return Air Temperature											
		60°F(15°C)				70°F(21°C)				80°F(27°C)			
		TC (BtuH)	Input Power (watts)	COP		TC (BtuH)	Input Power (watts)	COP		TC (BtuH)	Input Power (watts)	COP	
MAX OUTPUT	-22°F	18900	3840	1.44		18720	3920	1.40		18340	3960	1.36	
	-15°F	22220	3920	1.66		22000	4000	1.61		21560	4040	1.56	
	-5°F	24240	4110	1.73		24000	4200	1.67		23520	4240	1.62	
	5°F	24240	3280	2.16		24000	3350	2.10		23520	3380	2.04	
	17°F	24240	3360	2.11		24000	3430	2.05		23520	3460	1.99	
	32°F	24240	2650	2.68		24000	2700	2.60		23520	2730	2.52	
	47°F	24240	1880	3.78		24000	1920	3.66		23520	1940	3.55	
	60°F	30300	2360	3.76		30000	2410	3.65		29400	2430	3.54	

NOTE: THESE VALUES ARE BASED ON COMPUTER SIMULATIONS

LEGEND

DB --- Dry Bulb

WB --- Wet Bulb

TC --- Total Capacity (BtuH)

SC --- Sensible Capacity (BtuH)

Input Power---(Watts)

COP---Coefficient Of Performance

Specifications are subject to change without notice. Manufacturer reserves the right to discontinue or modify specifications or designs

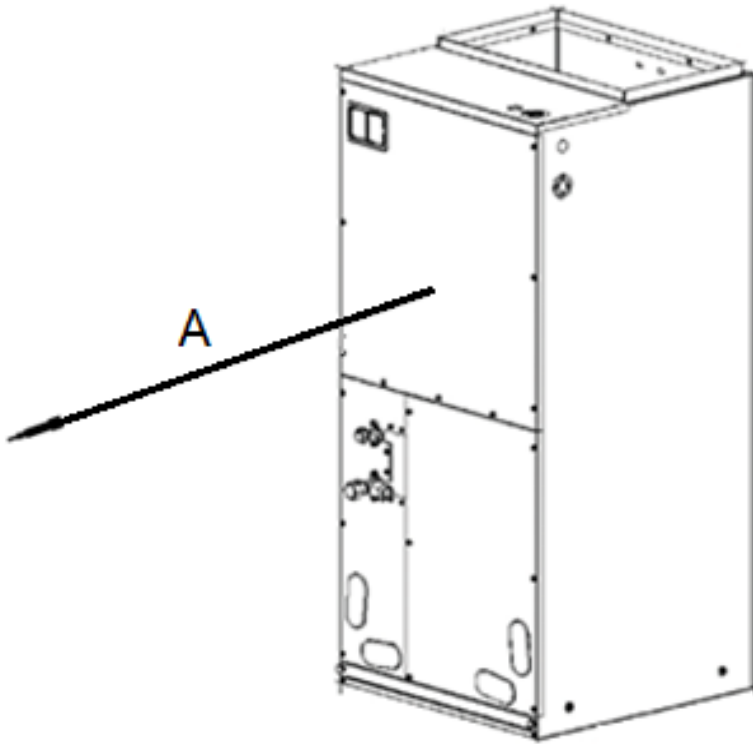
without notice or without incurring obligations. All rights reserved.

Submittal Data: FLEXX24HP230V1AH

MINIMUM SPACING REQUIREMENTS

Units: inches

INDOOR



A	24
ALL OTHER SIDES	0

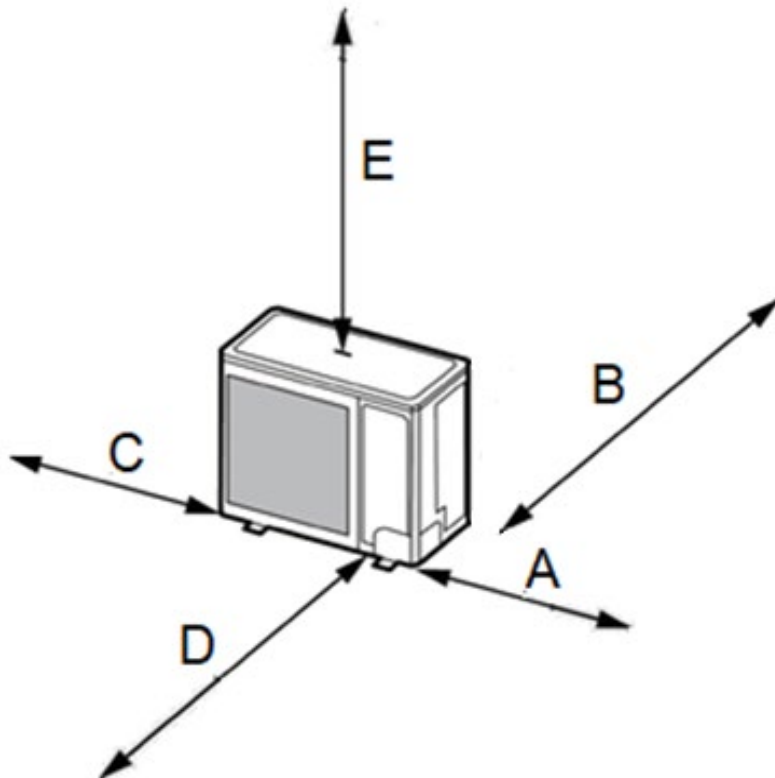
ALWAYS CHECK AND FOLLOW STATE AND LOCAL CODE REGULATIONS FOR MINIMUM SPACING REQUIREMENTS

FLEXX36HP230V1AO

MINIMUM SPACING REQUIREMENTS

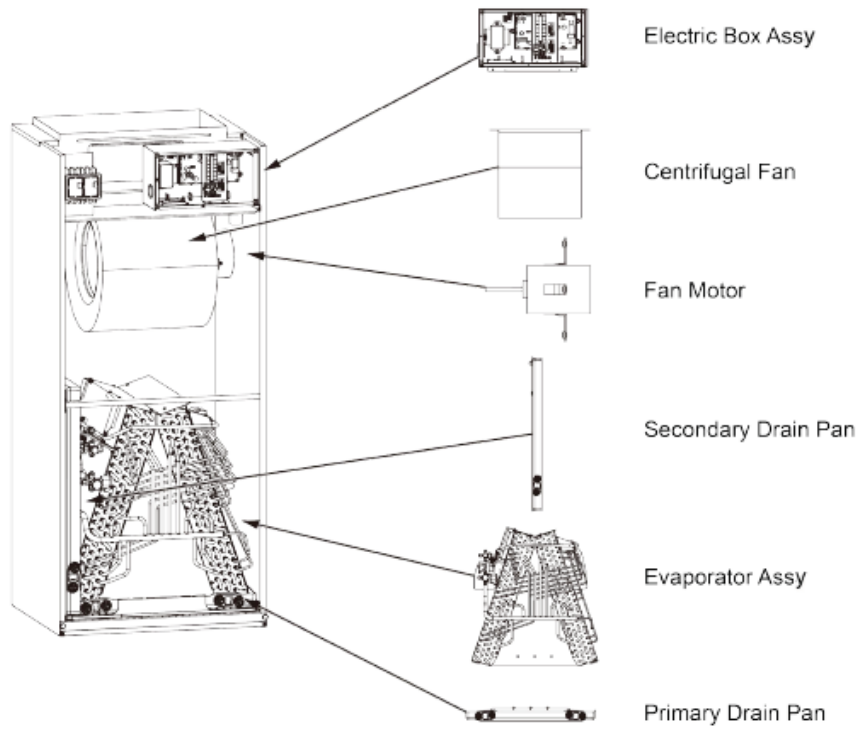
Units: inches

OUTDOOR



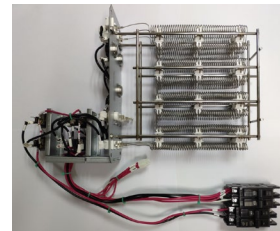
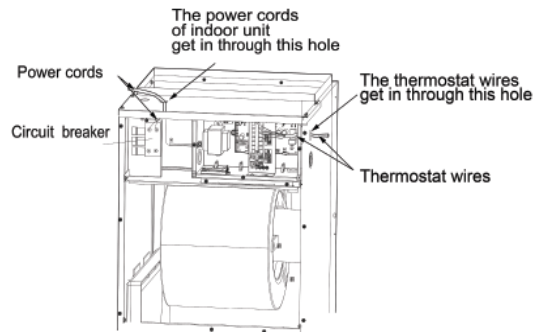
A	12
B	4
C	4
D	40
E	40

ALWAYS CHECK AND FOLLOW STATE AND LOCAL CODE REGULATIONS FOR MINIMUM SPACING REQUIREMENTS



Model	Cooling Capacity (ton)	Optional Electric Heater	KW
FLEXX24,36HP230V1AH	2.0 / 3.0	FLEXXHTR5KW	5
FLEXX24,36HP230V1AH	2.0 / 3.0	FLEXXHTR8KW	8
FLEXX24,36HP230V1AH	2.0 / 3.0	FLEXXHTR10KW	10

Power Supply	V	240	240	240	240	240
Rated Power	kW	5	8	10		
Min. Circuit Ampacity	A	25	40	50		
Max. Fuse or Breaker Ampacity	A	30	45	60		

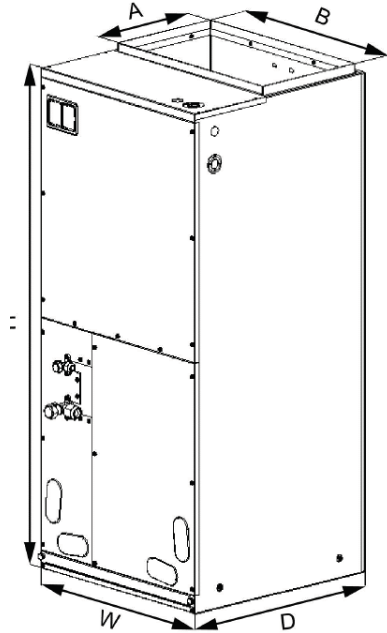


DIMENSIONAL SPECIFICATIONS

FLEXX24HP230V1AH

INDOOR UNIT DIMENSIONS & WEIGHTS

Units: inch



W	21-1/4
D	21-1/4
H	48-1/4
A	11-5/8
B	20

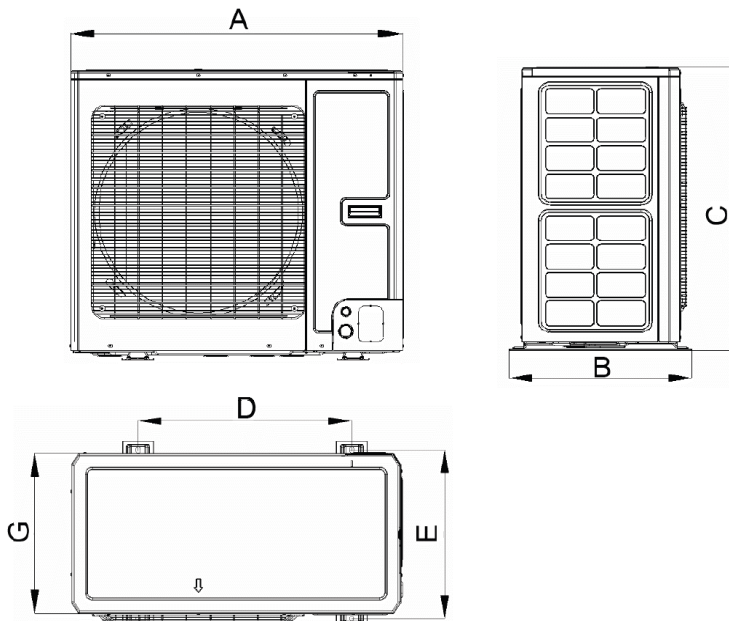
Net Weight (lbs)	156.5
Shipping Weight (lbs)	170

Liquid Line Valve	3/8-in OD Brazed
Gas Line Valve	3/4-in OD Brazed
Drain Connector	3/4 in OD

FLEXX36HP230V1AO

OUTDOOR UNIT DIMENSIONS & WEIGHTS

Units: inch



A	37
B	20-7/8
C	32-1/4
D	24
E	19-1/8
G	18-1/8

Net Weight (lbs)	217.2
Shipping Weight (lbs)	240

Liquid Line Valve	3/8-in OD Brazed
Gas Line Valve	3/4-in OD Brazed

Notes:

1. Power wiring size must comply with applicable national and local codes for both ID and OD dedicated circuits.
2. Test conditions are based on AHRI 210/240.

Specifications are subject to change without notice. Manufacturer reserves the right to discontinue or modify specifications or designs without notice or without incurring obligations. All rights reserved.