



**For Use with GREE Multi Zone OD Units**  
**MULTI18 Thru MULTI42 Standard and ULTRA SERIES**  
**and Super+ Multi and Super+ Multi ULTRA**

**Submittal Data: VIR12HP230V1BH** 12000 BTU/H (208/230V) Wall Mounted Heat Pump System

Job Name	Location	Date
Purchaser	Engineer	
Submitted To	For	<input type="checkbox"/> Reference <input type="checkbox"/> Approval <input type="checkbox"/> Construction
Unit Designation	Schedule No.	

- GENERAL FEATURES**
- Multi Speed Fan
  - Swing Louvers
  - Compact and Quiet Design
  - Wireless Remote with LCD Display
  - WiFi Capable (Kit Sold Separately) WSBE04
  - Wired Controller (Sold Separately) XE71
  - I Feel Function
  - Blue Fin Condenser Coil
  - 5 year Limited Parts Warranty



**System Ratings**

<b>Cooling</b>			
Rated Capacity	Btu/hr	12000	
SEER		SEE MATCHED OUTDOOR	
EER		UNIT RATINGS	
<b>Heating at 47° F</b>			
Rated Capacity	Btu/hr	13000	
HSPF		SEE MATCHED OUTDOOR	
COP		UNIT RATINGS	
<b>Operating Range</b>			
Cooling	(Max)		
	(Min)	SEE MATCHED OUTDOOR	
Heating	(Max)	UNIT RATINGS	
	(Min)		

**Indoor Unit Data**

<b>Fan Motor Type</b>		Cross-Flow
Output Power	W	20
FLA	A	0.1
<b>Fan Type</b>		Crossflow
<b>Air Filter</b>		Polymeric Mesh
<b>Airflow</b>		
Turbo / Hi / Med / Lo	CFM	377/288/241/171
<b>Sound Pressure Level</b>		
Turbo / Hi / Med / Lo	Clg dB(A)	45/39/35/29
	Htg dB(A)	45/39/35/29
<b>Dehumidification</b>		
	Pints/hr	2.96
<b>Drain Connection</b>		
	in	5/8
Left or Right Drain Line Connection-Gravity Fed		

**Refrigerant Piping Data**

<b>Refrigerant</b>		R410A
Liquid Pipe Size (OD) Flared	in	1/4
Gas Pipe Size (OD) Flared	in	1/2
Connection Method		Flared
Pre-Charge Length		
MAX Refrigerant Pipe Length		SEE MATCHED OUTDOOR
MIN Refrigerant Pipe Length		UNIT RATINGS
MAX Refrigerant Pipe Elevation		

**Electrical Data**

<b>Power Supply</b> -The indoor unit is powered from the outdoor unit, depending on local code, a disconnect switch may need to be installed to a power supply circuit.		
Normal Operational Voltage		208/230V, 1 Ph, 60 Hz
Voltage Range	V	187 - 253
MCA		SEE MATCHED
MOCB/Breaker Size		OUTDOOR UNIT
<b>Interconnecting Wire Size</b>	AWG	14-4
Stranded Copper Conductors THHN 600V Wire		



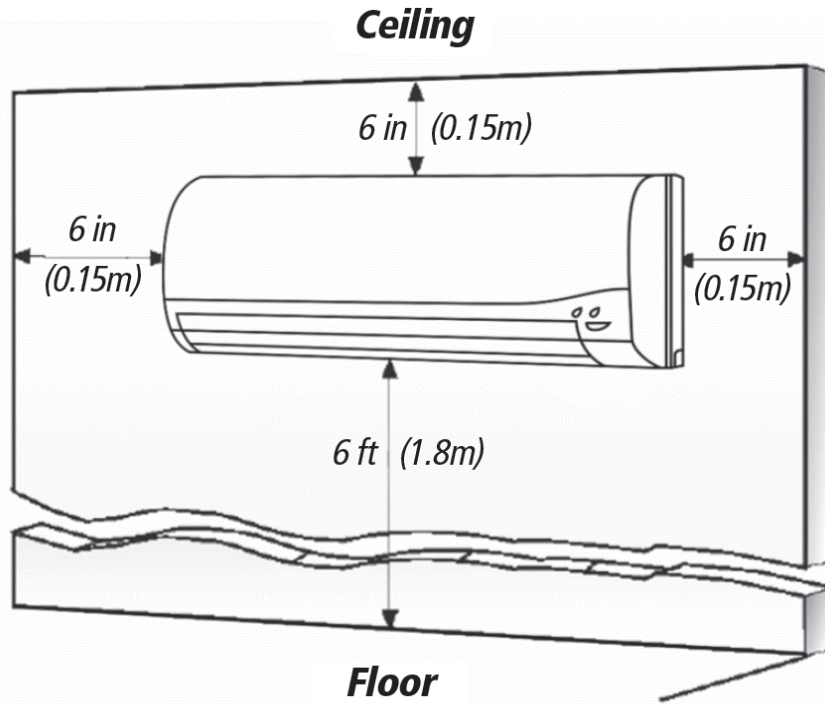
**Features & Function Summary****VIREO+ SERIES**

<b>SYSTEM FEATURES</b>	
Indoor Fin Coating (Blue)	Acrylic Resin
Wired Controller Interface (XE71)	YES
WiFi Interface Capable (WSBEC04)	Optional
Indoor Fan Type	Crossflow
Multi Fan Speeds	4 Speeds
Indoor Unit Display	YES
Advance Filter	Optional (see Filter Kits)
Auxiliary Electrical Heater	NO
Ventilation (Outdoor Air)	NO

<b>REMOTE CONTROLLER FUNCTIONS</b>	
Auto Mode	YES
Auto Fan	YES
Auto Swing (Horizontal Auto Swing)	NO
Auto Swing (Vertical Auto Swing)	YES
Clock on Remote Controller	YES
Dry Mode	YES
Dry Anti-Mildew (X-Fan) Mode	NO
Energy Saving Mode	YES
Dirty Filter Alert	NO
I Feel Function	YES
Lock on Remote Controller	YES
Quiet Mode	NO
Room Temperature Display	YES
Sleep Mode	YES
4 Sleep Modes Options	NO
Timer Mode	YES
Turbo Mode	YES
Display On/Off Control	YES
Freeze Guard Mode	YES
Display On/Off Control	YES
Freeze Guard Mode	YES

MINIMUM SPACING REQUIREMENTS

INDOOR

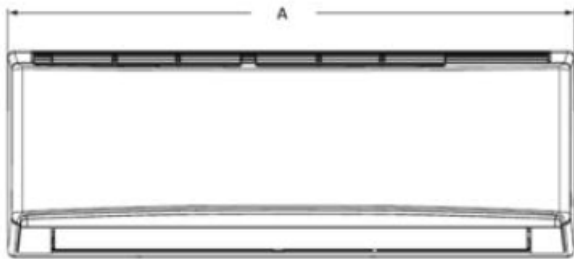


DIMENSIONAL SPECIFICATIONS

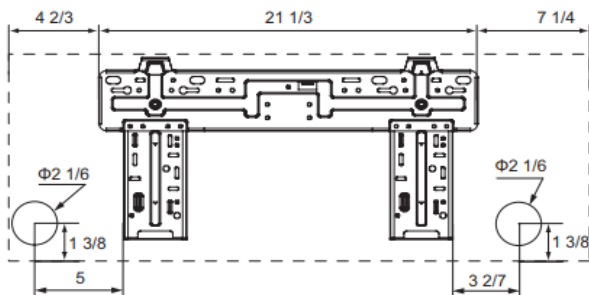
INDOOR UNIT DIMENSIONS

Model No: VIR12HP230V1BH

Units: inch



Dimensions	
A	33 3/8
B	11 3/8
C	8 1/4



Weight (Net/Gross) 22 / 26.5 lbs

Liquid Line Valve	1/4-in OD Flared
Gas Line Valve	1/2-in OD Flared
Drain Connector	5/8-in OD

Notes:

1. Recommended Interconnecting Cable Type 14 AWG 4 Stranded Copper Conductors THHN 600V Wire