

Submittal Data: NEO18HP230V1A		18,000 BTU/H Wall Mounted Heat- Pump System	
Job Name		Location	
Purchaser		Date	
Submitted To		Engineer	
Submitted To		For <input type="checkbox"/> Reference <input type="checkbox"/> Approval <input type="checkbox"/> Construction	
Unit Designation		Schedule No.	
GENERAL FEATURES -Compact and Quiet Design -Energy Star Qualified -High Efficiency DC Inverter Technology -Wireless Remote with LCD Display -Low Ambient Cool to 5 deg F -Intelligent Defrost -Acrylic Resin/Anti-Corrosion Coil Protection Inside & Out -5 year Limited Parts Warranty -7 year Limited Compressor Warranty			
System Ratings		Indoor Unit Data	
Cooling Rated Capacity 18,000 BTU/H Capacity Range 5,970-22,350 BTU/H Power Input (Max) 2,650 W SEER 18 EER 12.0		Fan Motor Output Power 20 W FLA 0.3 A Airflow Cooling Wet (Lo/Hi) 324/500 CFM Heating Dry (Lo/Hi) 354/530 CFM	
Heating at 47° F Rated Capacity 19,800 BTU/H Capacity Range 4,100-22,000 BTU/H Power Input (Max) 2,750 W HSPF 10.0 COP 3.5		Sound Pressure Level Cooling (Lo/Hi) 35/49 db(A) Heating (Lo/Hi) 35/49 db(A)	
Heating at 17° F Rated Capacity 12,700 BTU/H Capacity (Max) 16,283 BTU/H Power Input (Max) 2,262 W COP 2.7		Dimensions & Weights Unit Dimensions (LxHxD) 37.0 x 11.7 x 7.9-in Weight (Net/Shipping) 24/31 LBS	
Operating Range		Outdoor Unit Data	
Cooling (Max) 109°F (43 C) (Min) 5°F (-15 C) Heating (Max) 75°F (24 C) (Min) 5°F (-15 C)		Compressor DC Inverter Driven Rotary Refrigerant Type R410A Fan Motor Output Power 60 W FLA 0.3 A Sound Pressure Cooling 56 db(A) Heating 56 db(A)	
Power Supply Normal Operational Voltage 208/230 V, 1 Phase, 60 Hz Voltage Range 187 - 253 V Main Power Wire Size 12-2 AWG Interconnecting Cable Wire Size 14-4 AWG MCA 13.0 A MOCP/Breaker Size 20 A		Dimensions & Weights Unit Dimensions (LxHxD) 37.6 x 27.6 x 15.6 -in Weight (Net/Shipping) 99/110 LBS	
		Refrigerant Piping Data Gas Pipe Size (OD) 1/2-in Liquid Pipe Size (OD) 1/4-in Connection Method Flared MAX Refrigerant Pipe Length 82-ft MIN Refrigerant Pipe Length 10-ft MAX Refrigerant Pipe Height Difference 33-ft	



EXTENDED RATINGS

COOLING PERFORMANCE

Outdoor Ambient Temperature (DB)	Indoor Entering Air Temperatures (DB) 50% RH					
	62 F		67 F		72 F	
	TC	SHC	TC	SHC	TC	SHC
25 F	23,703	17,600	25,592	18,529	27,357	19,697
35 F	22,942	17,411	24,407	17,817	25,592	18,503
45 F	21,626	16,608	23,077	17,123	24,725	17,926
55 F	20,622	15,961	21,943	16,457	23,523	17,172
65 F	19,724	15,325	21,655	16,436	22,962	16,785
75 F	18,770	14,678	20,179	15,518	21,905	16,166
85 F	17,846	14,170	19,080	14,730	20,906	15,617
95 F	16,776	13,404	18,000	14,382	19,872	14,924
105 F	15,891	12,903	17,078	13,629	18,730	14,385
115 F	15,002	12,362	15,873	12,857	17,114	13,400

HEATING PERFORMANCE

Outdoor Ambient Temperature (DB) (80% RH)	Indoor Entering Air Temperatures (DB)					
	65 F		70 F		75 F	
	TC	SHC	TC	SHC	TC	SHC
5 F	16,358	16,358	15,438	15,438	15,060	15,060
15 F	17,485	17,485	15,952	15,952	15,856	15,856
25 F	18,552	18,552	17,608	17,608	16,606	16,606
35 F	19,588	19,588	18,130	18,130	17,369	17,369
45 F	20,611	20,611	19,912	19,912	18,706	18,706
55 F	20,639	20,639	20,042	20,042	19,165	19,165
65 F	20,541	20,541	20,241	20,241	19,617	19,617

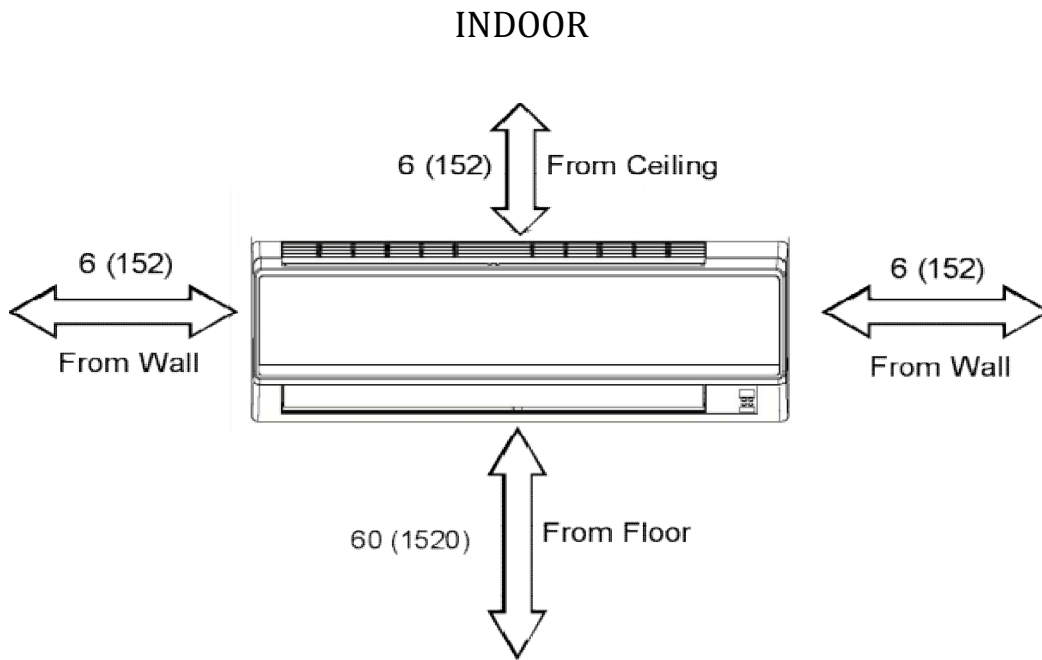
TC- Total Capacity (BtuH)

SHC- Sensible Capacity (BtuH)

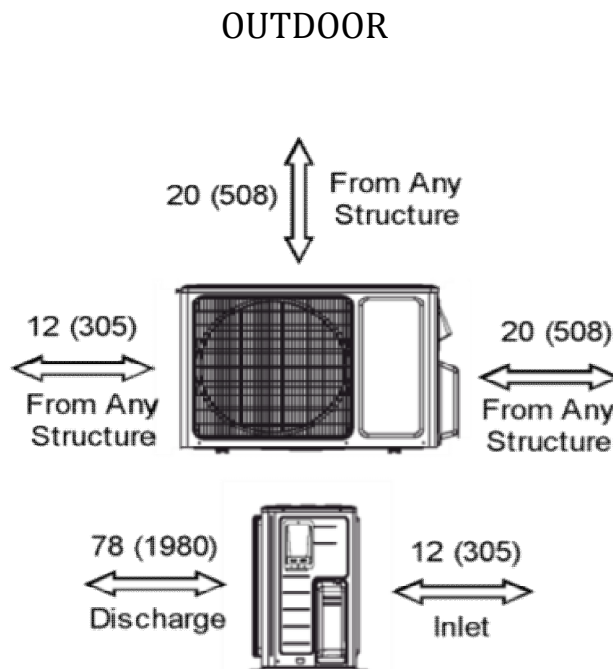


MINIMUM SPACING REQUIREMENTS

Units: inch (mm)



Units: inch (mm)

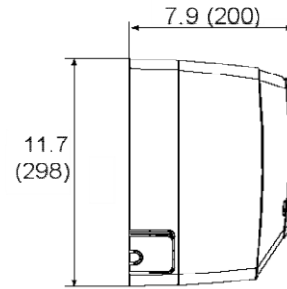
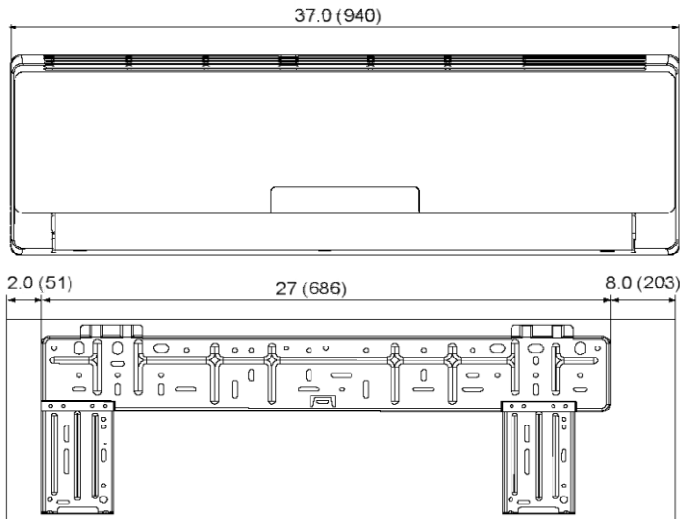


DIMENSIONAL SPECIFICATIONS

NEO18HP230V1A

INDOOR UNIT DIMENSIONS

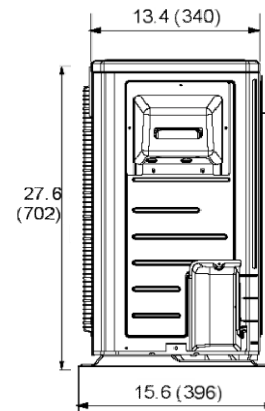
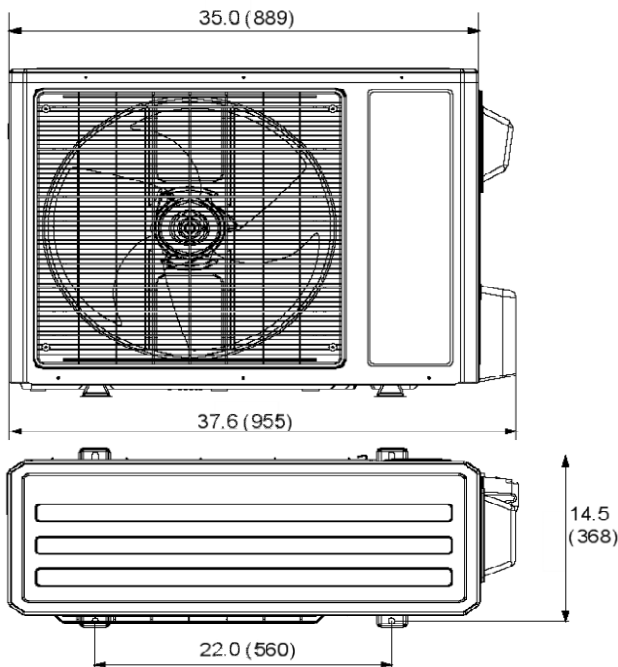
Units: inch (mm)



Liquid Line Valve	1/4-in OD Flared
Gas Line Valve	1/2-in OD Flared
Drain Connector	5/8-in OD

OUTDOOR UNIT DIMENSIONS

Units: inch (mm)



Liquid Line Valve	1/4-in OD Flared
Gas Line Valve	1/2-in OD Flared

Notes:

1. Recommended Interconnecting Cable Type Stranded Bare Copper Conductors THHN 600V Wire
2. Power wiring cable size must comply with applicable national and local codes.
3. Test conditions are based on AHRI 210/240.



www.greecomfort.com

Specifications are subject to change without notice. Manufacturer reserves the right to discontinue or modify specifications or designs without notice or without incurring obligations. All rights reserved.