

Submittal Data: DUCT09HP230V1AD 9,000 BTU/H Ceiling Cassette

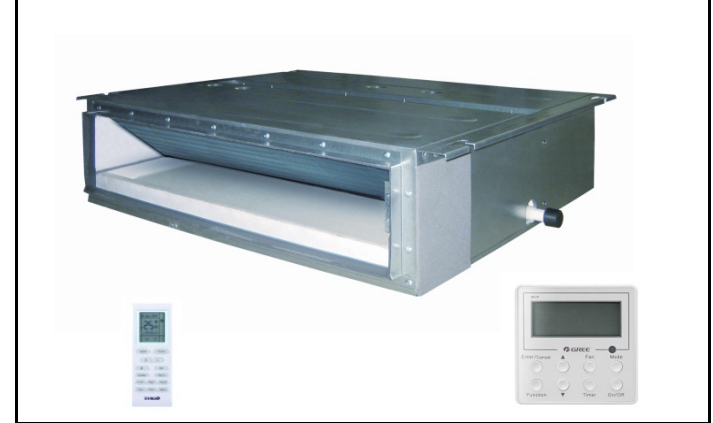
Job Name	Location	Date
----------	----------	------

Purchaser	Engineer
-----------	----------

Submitted To	For <input type="checkbox"/> Reference <input type="checkbox"/> Approval <input type="checkbox"/> Construction
--------------	--

Unit Designation	Schedule No.
------------------	--------------

- GENERAL FEATURES**
- Quiet Operation -Multi-Speed Fan
 - Medium Static Pressure Capability
 - Slim Line Construction 8" high
 - Internal Condensate Drain Pump
 - Flexible Return Air From Bottom Or Rear
 - XK-19 Wired Controllers
 - Wireless Remote Controllers
 - Sentry Condensate Overflow Protection
 - Limited 5 yr. Parts Warranty


System Ratings

Cooling*	
Rated Capacity	8,500 BTU/H
Heating*	
Rated Capacity	9,500 BTU/H
Sound Pressure (Hi/Lo)**	
Cooling	37/31 dbA
Heating	37/31 dbA
Air Flow (min/max)	
Indoor Fan	147/265 CFM
Ext Static Pressure (max/min)	0.040/0.025 inch wg

Units Specification & Data

Wired Controller	XK-19
Condensate Drain Lift (Height)	18-in 457-mm
Drain Size (OD)	1.0-in 26-mm

Electrical Ratings

Fan Motor	
Output Power	80 W
FLA	0.35 A
Power Supply	
Normal Operational Voltage	208/230 V, 1 Phase, 60 Hz
Voltage Range	187 - 253 V
MCA	1.0 A
Interconnecting Cable Wire Size	14-4 AWG

Refrigerant Piping Data

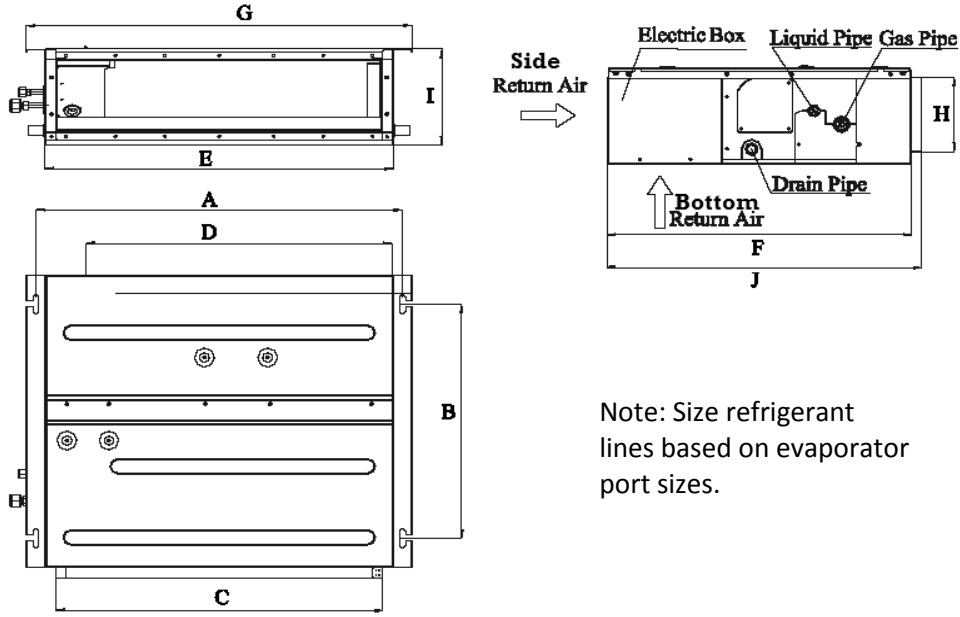
Refrigerant Type	R410A
Gas Pipe Size (OD)	3/8-in
Liquid Pipe Size (OD)	1/4-in
Connection Method	Flared

* Test conditions are based on AHRI 210/240.
 **Sound Power ratings are per AHRI 270 and AHRI 350



9,000 BTUH MODEL

Model # DUCT09HP230V1AD 9,000 BTUH 230V



Note: Size refrigerant lines based on evaporator port sizes.

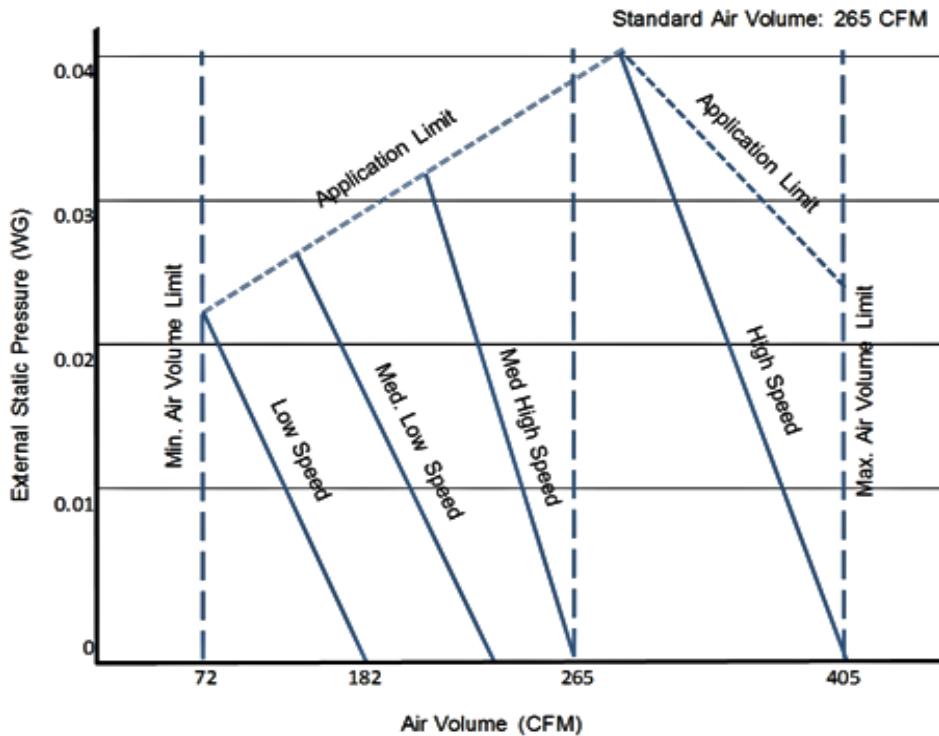
Dimensions

	A	B	C	D	E	F	G	H	I	J
(mm)	742	491	662	620	700	615	782	156	200	635
(inches)	29.2	19.3	26.1	24.4	27.6	24.2	30.8	6.1	7.9	25.0

Weight (Net/Gross) 49/60 lbs

INDOOR FAN PERFORMANCE DATA

WG = inches of water guage



Notes:

1. Recommended Interconnecting Cable Type Stranded Bare Copper Conductors THHN 600V Unshielded Wire
2. Power wiring cable size must comply with applicable national and local codes.
3. Test conditions are based on AHRI 210/240.

Specifications are subject to change without notice. Manufacturer reserves the right to discontinue or modify specifications or designs without notice or without incurring obligations. All rights reserved.