

**Submittal Data: GWC24KG-D3DNB1A** 24,000 BTU/H Wall Mounted Air Conditioning System

Job Name Location Date

Purchaser Engineer

Submitted To For  Reference  Approval  Construction

Unit Designation Schedule No.

**GENERAL FEATURES**

- Compact and Quiet Design
- High Efficiency - 16 SEER
- DC Inverter Technology
- Wireless Remote with LCD Display
- Low Ambient Cooling
- Comfortable Sleep Mode
- Intelligent Defrost
- 5 year Limited Parts Warranty



**System Ratings**

**Indoor Unit Data**

**Cooling**

Rated Capacity	22,000 BTU/H
Capacity Range	6,400-24,000 BTU/H
Power Input (Max)	2,550 W
SEER	16
EER	10

<b>Fan Motor</b>	Output Power	35 W
	FLA	0.3 A
<b>Airflow</b>		
Cooling Wet (Lo/Hi)		206/589 CFM
Heating Dry (Lo/Hi)		---

**Heating at 47° F**

Rated Capacity	---
Capacity Range	---
Power Input (Max)	---
HSPF	---
COP	---

<b>Sound Pressure Level</b>		
Cooling (Lo/Hi)		34/49 db(A)
Heating (Lo/Hi)		---
<b>Dimensions &amp; Weights</b>		
Unit Dimensions (LxHxD)		39.7 x 12.4 x 8.7-in
Weight (Net/Shipping)		33/44 LBS

**Heating at 17° F**

Rated Capacity	---
Capacity (Max)	---
Power Input (Max)	---
COP	---

**Outdoor Unit Data**

**Operating Range**

Cooling	(Max)	109°F (43 C)
	(Min)	5°F (-15 C)
Heating	(Max)	---
	(Min)	---

<b>Compressor</b>	DC Inverter Driven Rotary	
<b>Refrigerant Type</b>	R410A	
<b>Fan Motor</b>	Output Power	60 W
	FLA	0.6 A
<b>Sound Pressure</b>		
Cooling		53 db(A)
Heating		---

**Power Supply**

Normal Operational Voltage	208/230 V, 1 Phase, 60 Hz
Voltage Range	187 - 253 V
Main Power Wire Size	10-2 AWG
Interconnecting Cable Wire Size	14-4 AWG
MCA	16.0 A
MOCP/Breaker Size	25 A

<b>Dimensions &amp; Weights</b>		
Unit Dimensions (LxHxD)		37.6 x 27.6 x 15.6 -in
Weight (Net/Shipping)		112/123 LBS

**Refrigerant Piping Data**

Gas Pipe Size (OD)	1/2-in
Liquid Pipe Size (OD)	1/4-in
Connection Method	Flared
MAX Refrigerant Pipe Length	82-ft
MIN Refrigerant Pipe Length	10-ft
MAX Refrigerant Pipe Height Difference	33-ft

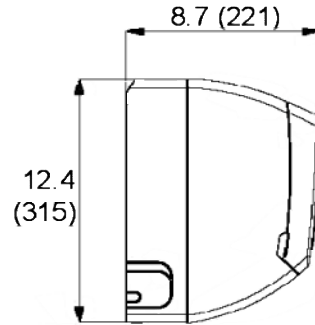
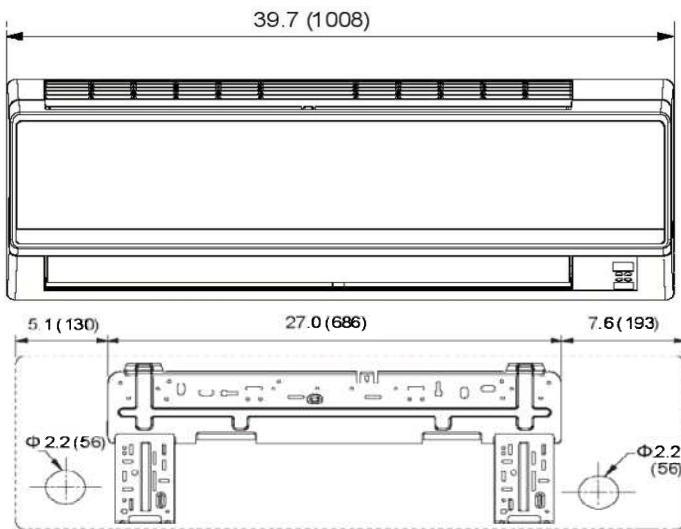


## DIMENSIONAL SPECIFICATIONS

**GWC24KG-D3DNB1A**

### INDOOR UNIT DIMENSIONS

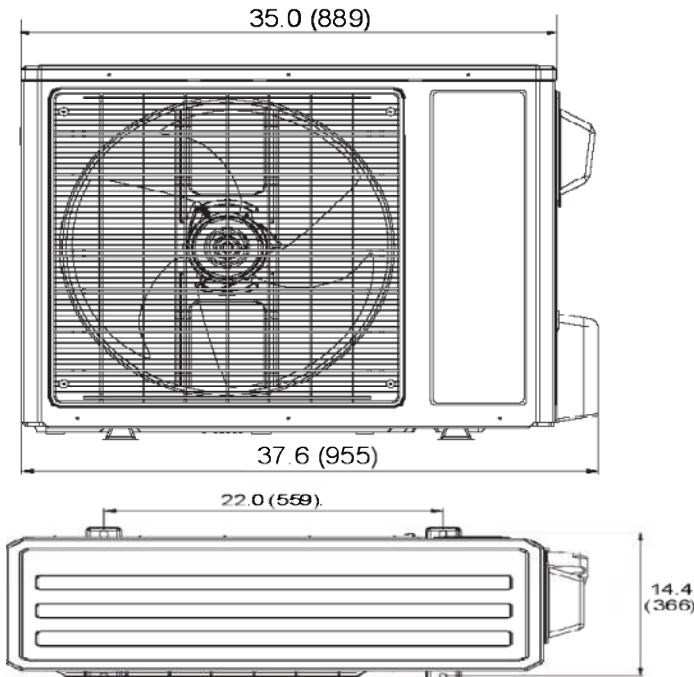
Units: inch (mm)



Liquid Line Valve	1/4-in OD Flared
Gas Line Valve	1/2-in OD Flared
Drain Connector	5/8-in OD

### OUTDOOR UNIT DIMENSIONS

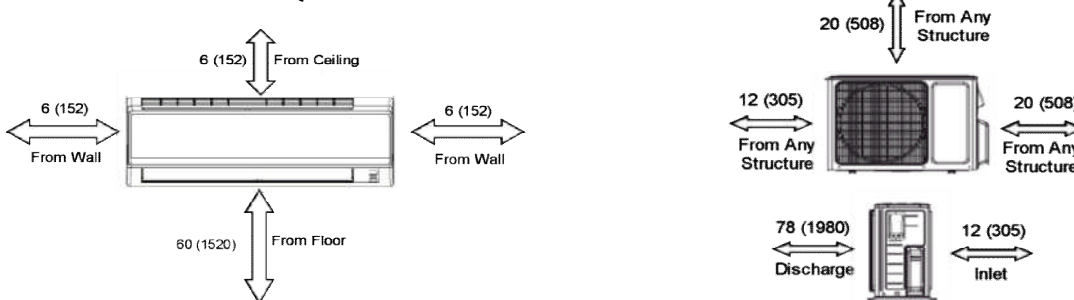
Units: inch (mm)



Liquid Line Valve	1/4-in OD Flared
Gas Line Valve	1/2-in OD Flared

### MINIMUM SPACING REQUIREMENTS

Units: inch (mm)



**Notes:**

1. Recommended Interconnecting Cable Type Stranded Bare Copper Conductors THHN 600V Wire
2. Power wiring cable size must comply with applicable national and local codes.
3. Test conditions are based on AHRI 210/240.



[www.greecomfort.com](http://www.greecomfort.com)

Specifications are subject to change without notice. Manufacturer reserves the right to discontinue or modify specifications or designs without notice or without incurring obligations. All rights reserved.