

Submittal Data: GWC12KF-D3DNB1C 12,000 BTU/H Wall Mounted Air Conditioning System

Job Name Location Date

Purchaser Engineer

Submitted To For Reference Approval Construction

Unit Designation Schedule No.

GENERAL FEATURES

- Compact and Quiet Design
- High Efficiency - 16 SEER
- DC Inverter Technology
- Wireless Remote with LCD Display
- Low Ambient Cooling
- Comfortable Sleep Mode
- Intelligent Defrost
- 5 year Limited Parts Warranty



System Ratings

Indoor Unit Data

Cooling

Rated Capacity	12,000 BTU/H
Capacity Range	3,300-12,500 BTU/H
Power Input (Max)	1,340 W
SEER	16
EER	9.8

Fan Motor	Output Power	15 W
	FLA	0.2 A

Heating at 47° F

Rated Capacity	----
Capacity Range	----
Power Input (Max)	----
HSPF	----
COP	----

Airflow

Cooling Wet (Lo/Hi)	153/341 CFM
Heating Dry (Lo/Hi)	----

Heating at 17° F

Rated Capacity	----
Capacity (Max)	----
Power Input (Max)	----
COP	----

Sound Pressure Level

Cooling (Lo/Hi)	28/44 db(A)
Heating (Lo/Hi)	----

Operating Range

Cooling	(Max)	109°F (43 C)
	(Min)	5°F (-15 C)
Heating	(Max)	----
	(Min)	----

Dimensions & Weights

Unit Dimensions (LxHxD)	30.3 x 11.1 x 7.9-in
Weight (Net/Shipping)	20/27 LBS

Power Supply

Normal Operational Voltage	208/230 V, 1 Phase, 60 Hz
Voltage Range	187 - 253 V
Main Power Wire Size	14-2 AWG
Interconnecting Cable Wire Size	14-4 AWG
MCA	10.0 A
MOCP/Breaker Size	15 A

Outdoor Unit Data

Compressor DC Inverter Driven Rotary

Refrigerant Type R410A

Fan Motor	Output Power	21 W
	FLA	0.3 A

Sound Pressure

Cooling	52 db(A)
Heating	----

Dimensions & Weights

Unit Dimensions (LxHxD)	28.0 x 21.7 x 12.5-in
Weight (Net/Shipping)	68/77 LBS

Refrigerant Piping Data

Gas Pipe Size (OD)	3/8-in
Liquid Pipe Size (OD)	1/4-in
Connection Method	Flared
MAX Refrigerant Pipe Length	50-ft
MIN Refrigerant Pipe Length	10-ft
MAX Refrigerant Pipe Height Difference	33-ft

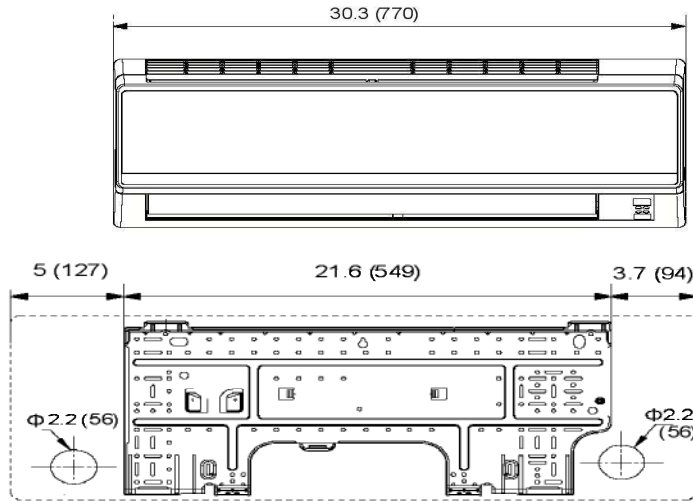


DIMENSIONAL SPECIFICATIONS

GWC12KF-D3DNB1C

INDOOR UNIT DIMENSIONS

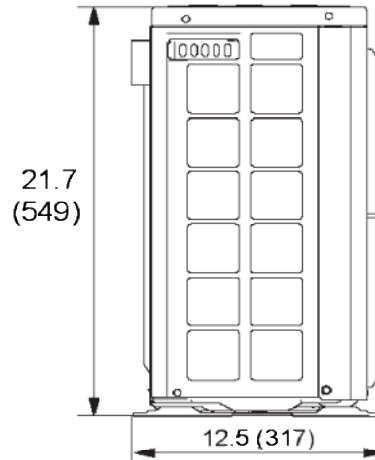
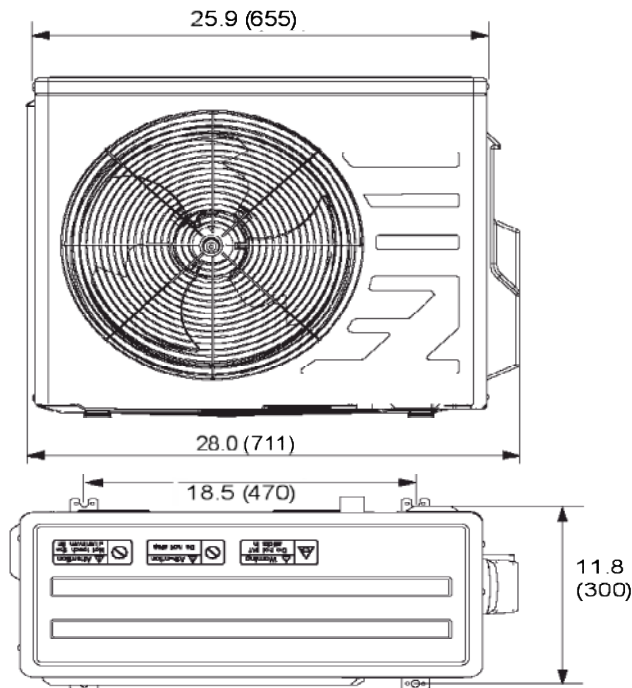
Units: inch (mm)



Liquid Line Valve	1/4-in OD Flared
Gas Line Valve	3/8-in OD Flared
Drain Connector	5/8-in OD

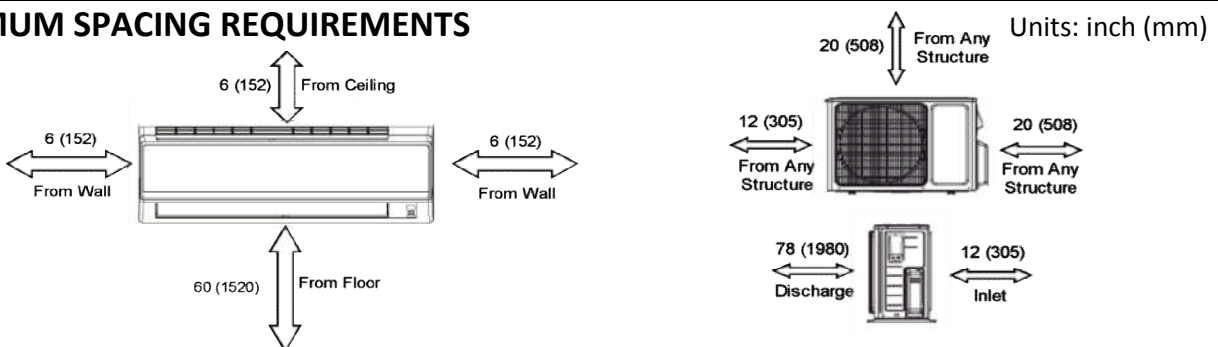
OUTDOOR UNIT DIMENSIONS

Units: inch (mm)



Liquid Line Valve	1/4-in OD Flared
Gas Line Valve	3/8-in OD Flared

MINIMUM SPACING REQUIREMENTS



Notes:

1. Recommended Interconnecting Cable Type Stranded Bare Copper Conductors THHN 600V Wire
2. Power wiring cable size must comply with applicable national and local codes.
3. Test conditions are based on AHRI 210/240.



www.greecomfort.com

Specifications are subject to change without notice. Manufacturer reserves the right to discontinue or modify specifications or designs without notice or without incurring obligations. All rights reserved.