

Submittal Data: GWC09KF-D3DNB1C 9,000 BTU/H Wall Mounted Air Conditioning System

Job Name Location Date

Purchaser Engineer

Submitted To For Reference Approval Construction

Unit Designation Schedule No.

GENERAL FEATURES

- Compact and Quiet Design
- High Efficiency - 16 SEER
- DC Inverter Technology
- Wireless Remote with LCD Display
- Low Ambient Cooling
- Comfortable Sleep Mode
- Intelligent Defrost
- 5 year Limited Parts Warranty



System Ratings

Indoor Unit Data

Cooling		
Rated Capacity		9,000 BTU/H
Capacity Range		3,800-11,500 BTU/H
Power Input (Max)		1,300 W
SEER		16
EER		10.2

Fan Motor	Output Power	15 W
	FLA	0.2 A
Airflow		
Cooling	Wet (Lo/Hi)	141/330 CFM
Heating	Dry (Lo/Hi)	---

Heating at 47° F		
Rated Capacity		---
Capacity Range		---
Power Input (Max)		---
HSPF		---
COP		---

Sound Pressure Level		
Cooling (Lo/Hi)		26/43 db(A)
Heating (Lo/Hi)		---
Dimensions & Weights		
Unit Dimensions (LxHxD)		30.3 x 11.1 x 7.9-in
Weight (Net/Shipping)		19/25 LBS

Heating at 17° F		
Rated Capacity		---
Capacity (Max)		---
Power Input (Max)		---
COP		---

Outdoor Unit Data

Operating Range		
Cooling	(Max)	109°F (43 C)
	(Min)	5°F (-15 C)
Heating	(Max)	---
	(Min)	---

Compressor	DC Inverter Driven Rotary	
Refrigerant Type	R410A	
Fan Motor	Output Power	21 W
	FLA	0.3 A
Sound Pressure		
Cooling		49 db(A)
Heating		---

Power Supply		
Normal Operational Voltage		208/230 V, 1 Phase, 60 Hz
Voltage Range		187 - 253 V
Main Power Wire Size		14-2 AWG
Interconnecting Cable Wire Size		14-4 AWG
MCA		10.0 A
MOCP/Breaker Size		15 A

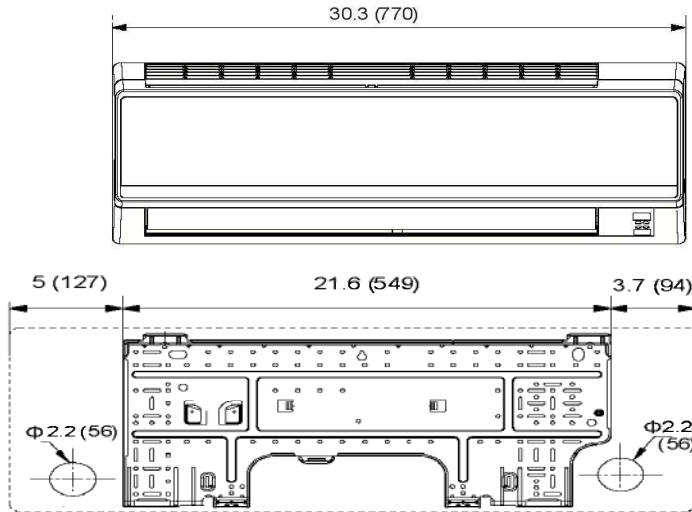
Dimensions & Weights		
Unit Dimensions (LxHxD)		28.0 x 21.7 x 12.5 -in
Weight (Net/Shipping)		64/73 LBS

Refrigerant Piping Data		
Gas Pipe Size (OD)		3/8-in
Liquid Pipe Size (OD)		1/4-in
Connection Method		Flared
MAX Refrigerant Pipe Length		50-ft
MIN Refrigerant Pipe Length		10-ft
MAX Refrigerant Pipe Height Difference		33-ft



INDOOR UNIT DIMENSIONS

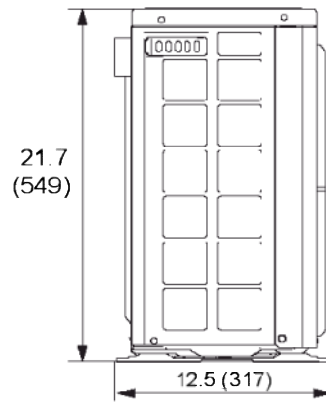
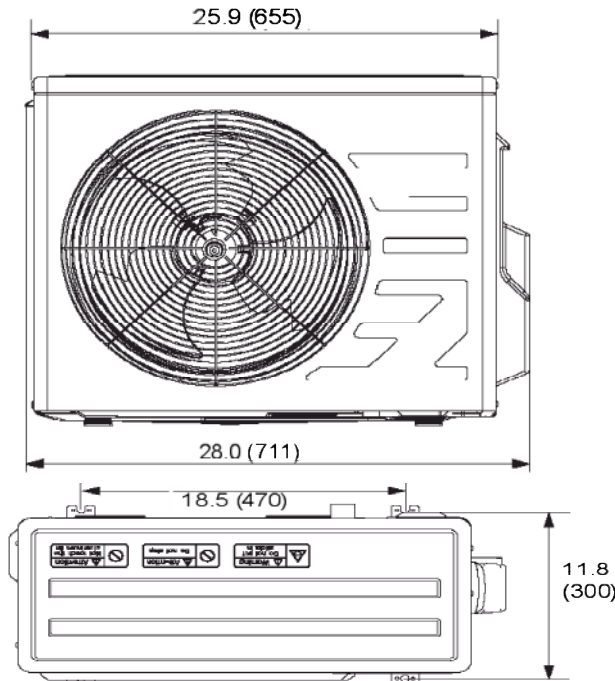
Units: inch (mm)



Liquid Line Valve	1/4-in OD Flared
Gas Line Valve	3/8-in OD Flared
Drain Connector	5/8-in OD

OUTDOOR UNIT DIMENSIONS

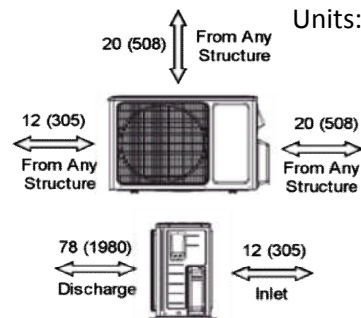
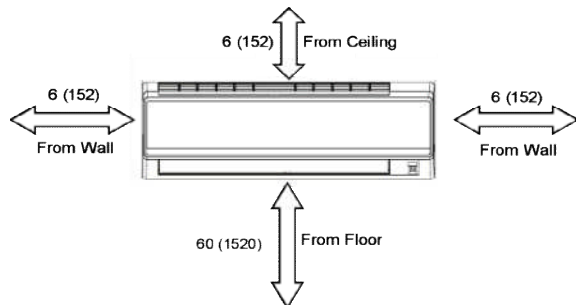
Units: inch (mm)



Liquid Line Valve	1/4-in OD Flared
Gas Line Valve	3/8-in OD Flared

MINIMUM SPACING REQUIREMENTS

Units: inch (mm)



Notes:

1. Recommended Interconnecting Cable Type Stranded Bare Copper Conductors THHN 600V Wire
2. Power wiring cable size must comply with applicable national and local codes.
3. Test conditions are based on AHRI 210/240.



Specifications are subject to change without notice. Manufacturer reserves the right to discontinue or modify specifications or designs without notice or without incurring obligations. All rights reserved.