



**For Use with GREE Multi Zone OD Units**  
**MULTI18 Thru MULTI42 Standard and ULTRA SERIES**  
**and Super+ Multi and Super+ Multi ULTRA**

**Submittal Data: VIR18HP230V1BH** 18000 BTU/H (208/230V) Wall Mounted Heat Pump System

Job Name	Location	Date
Purchaser	Engineer	
Submitted To	For	<input type="checkbox"/> Reference <input type="checkbox"/> Approval <input type="checkbox"/> Construction
Unit Designation	Schedule No.	

- GENERAL FEATURES**
- Multi Speed Fan
  - Swing Louvers
  - Compact and Quiet Design
  - Wireless Remote with LCD Display
  - WiFi Capable (Kit Sold Separately) WSBE04
  - Wired Controller (Sold Separately) XE71
  - I Feel Function
  - Blue Fin Condenser Coil
  - 5 year Limited Parts Warranty



**System Ratings**

<b>Cooling</b>			
Rated Capacity	Btu/hr	18000	
SEER	SEE MATCHED OUTDOOR UNIT RATINGS		
EER	SEE MATCHED OUTDOOR UNIT RATINGS		
<b>Heating at 47° F</b>			
Rated Capacity	Btu/hr	19800	
HSPF	SEE MATCHED OUTDOOR UNIT RATINGS		
COP	SEE MATCHED OUTDOOR UNIT RATINGS		
<b>Operating Range</b>			
Cooling	(Max)		
	(Min)	SEE MATCHED OUTDOOR UNIT RATINGS	
Heating	(Max)		
	(Min)	SEE MATCHED OUTDOOR UNIT RATINGS	

**Indoor Unit Data**

<b>Fan Motor Type</b>	Cross-Flow		
Output Power	W	60	
FLA	A	0.24	
<b>Fan Type</b>	Crossflow		
<b>Air Filter</b>	Polymeric Mesh		
<b>Airflow</b>			
Turbo / Hi / Med / Lo	CFM	559/488/412/335	
<b>Sound Pressure Level</b>			
Turbo / Hi / Med / Lo	Clg dB(A)	47/43/40/39	
	Htg dB(A)	47/43/40/39	
<b>Dehumidification</b>			
	Pints/hr	3.8	
<b>Drain Connection</b>	in	5/8	
Left or Right Drain Line Connection-Gravity Fed			

**Refrigerant Piping Data**

<b>Refrigerant</b>	R410A		
Liquid Pipe Size (OD) Flared	in	1/4	
Gas Pipe Size (OD) Flared	in	5/8	
Connection Method	Flared		
Pre-Charge Length			
MAX Refrigerant Pipe Length	SEE MATCHED OUTDOOR UNIT RATINGS		
MIN Refrigerant Pipe Length	SEE MATCHED OUTDOOR UNIT RATINGS		
MAX Refrigerant Pipe Elevation			

**Electrical Data**

<b>Power Supply</b> -The indoor unit is powered from the outdoor unit, depending on local code, a disconnect switch may need to be installed to a power supply circuit.			
Normal Operational Voltage	208/230V, 1 Ph, 60 Hz		
Voltage Range	V	187 - 253	
MCA	SEE MATCHED OUTDOOR UNIT		
MOCB/Breaker Size	SEE MATCHED OUTDOOR UNIT		
<b>Interconnecting Wire Size</b>	AWG	14-4	
Stranded Copper Conductors THHN 600V Wire			



## Features & Function Summary

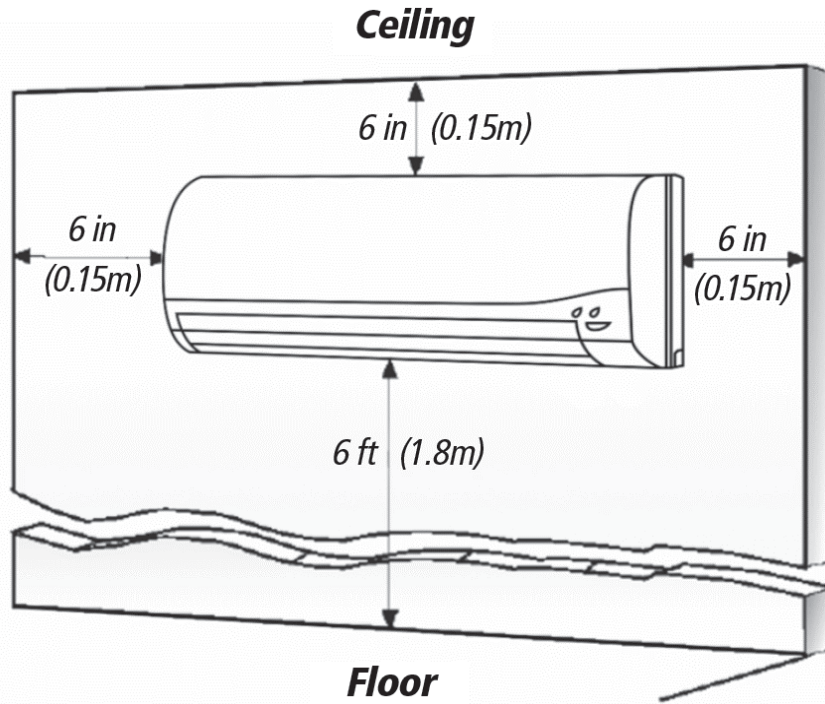
## VIREO+ SERIES

SYSTEM FEATURES	
Indoor Fin Coating (Blue)	Acrylic Resin
Wired Controller Interface (XE71)	YES
WiFi Interface Capable (WSBEC04)	Optional
Indoor Fan Type	Crossflow
Multi Fan Speeds	4 Speeds
Indoor Unit Display	YES
Advance Filter	Optional (see Filter Kits)
Auxiliary Electrical Heater	NO
Ventilation (Outdoor Air)	NO

REMOTE CONTROLLER FUNCTIONS	
Auto Mode	YES
Auto Fan	YES
Auto Swing (Horizontal Auto Swing)	NO
Auto Swing (Vertical Auto Swing)	YES
Clock on Remote Controller	YES
Dry Mode	YES
Dry Anti-Mildew (X-Fan) Mode	NO
Energy Saving Mode	YES
Dirty Filter Alert	NO
I Feel Function	YES
Lock on Remote Controller	YES
Quiet Mode	NO
Room Temperature Display	YES
Sleep Mode	YES
4 Sleep Modes Options	NO
Timer Mode	YES
Turbo Mode	YES
Display On/Off Control	YES
Freeze Guard Mode	YES
Display On/Off Control	YES
Freeze Guard Mode	YES

MINIMUM SPACING REQUIREMENTS

INDOOR

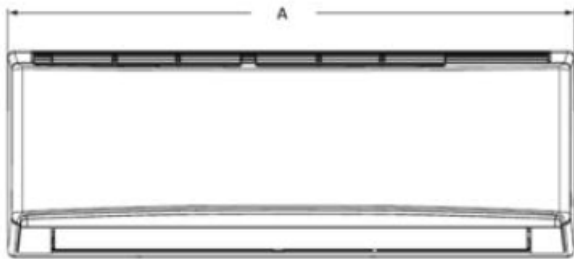


DIMENSIONAL SPECIFICATIONS

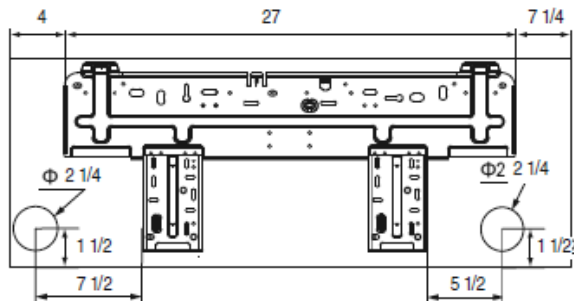
INDOOR UNIT DIMENSIONS

Model No: VIR18HP230V1BH

Units: inch



Dimensions	
A	38 1/4
B	11 3/4
C	8 3/4



Weight (Net/Gross) 29 / 35 lbs

Liquid Line Valve	1/4-in OD Flared
Gas Line Valve	5/8-in OD Flared
Drain Connector	5/8-in OD

Notes:

1. Recommended Interconnecting Cable Type 14 AWG 4 Stranded Copper Conductors THHN 600V Wire