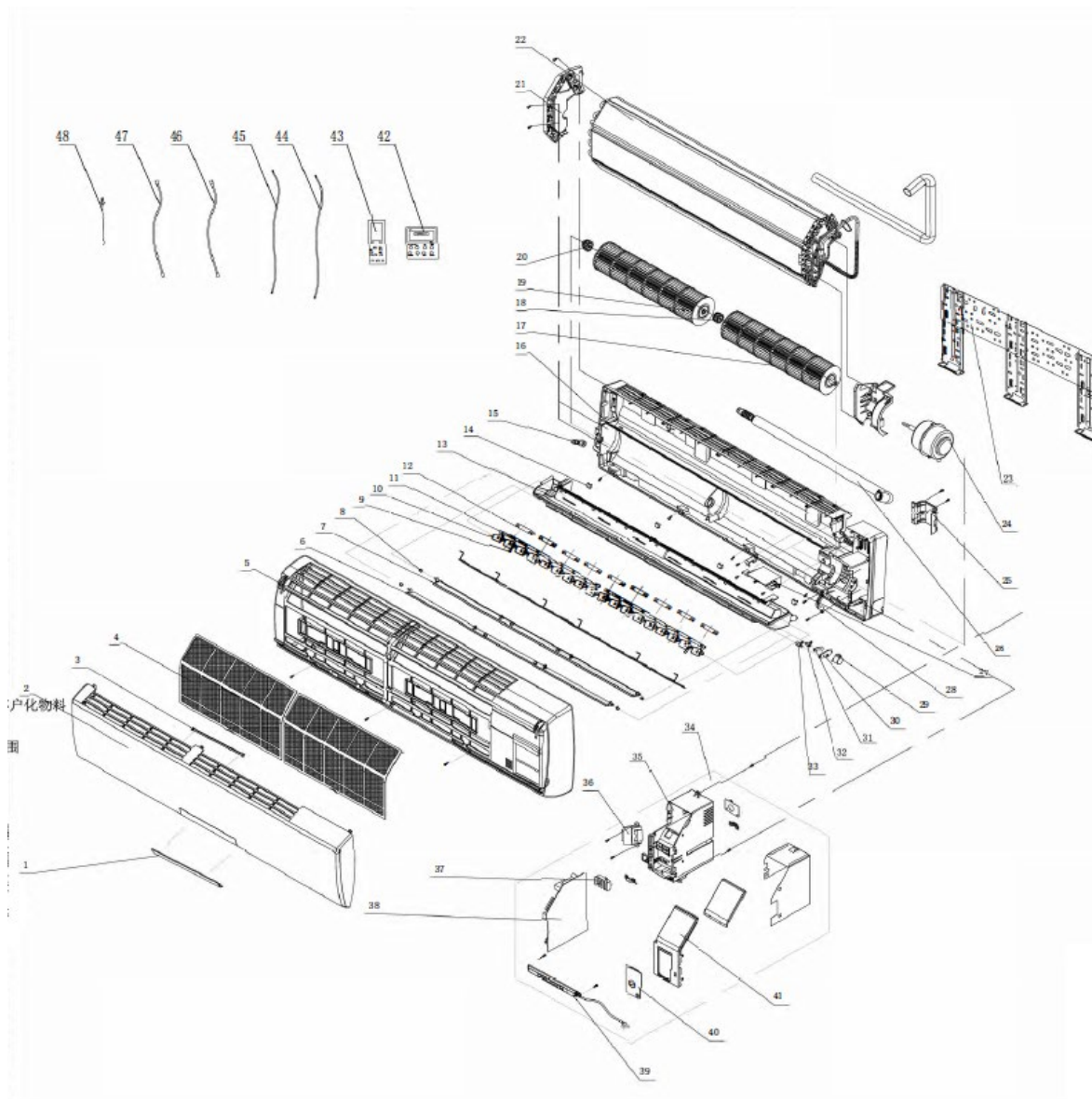
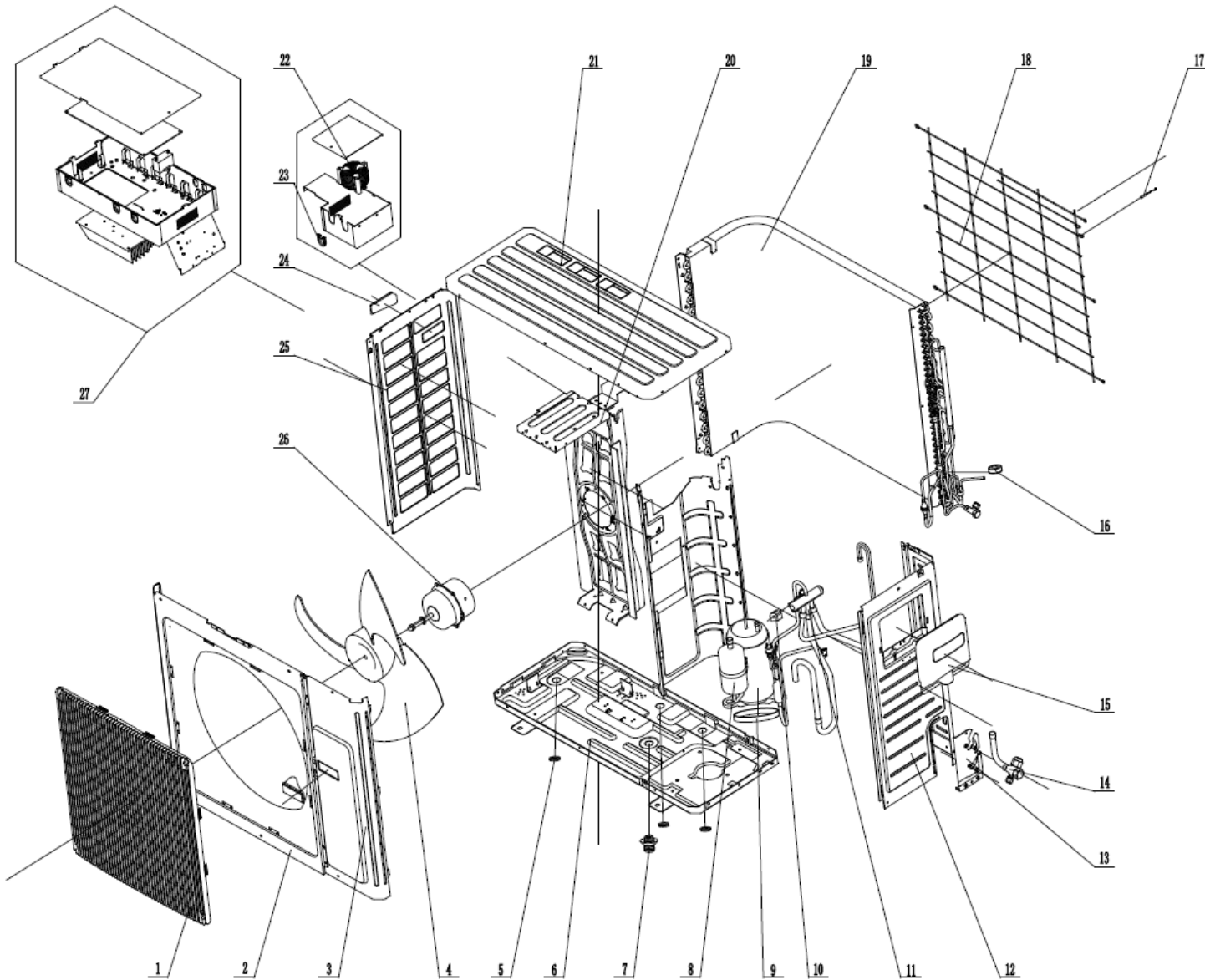


VIR36HP230V1CH Parts List



NO.	Part Description	Qty	Part Code
1	Receiver Window	1	22430024
2	Front Panel	1	20000300022S
3	Stand Bar	1	2421212001
4	Filter Sub-Assy	2	1112210602
5	Front Case Sub-Assy	1	20900700005
6	Upper Guide Louver	1	1051216601
7	Lower Guide Louver	1	1051216701
8	Axile Bush	6	10542704
9	Air Louver 2	2	1051216902
10	Air Louver 1	16	1051216802
11	Connecting Rod	2	10582086
12	Louver Clamp	9	26112158
13	Water Tray	1	2018213802
14	Screw Cover	4	2425200506
15	Screw Cover	4	2425200506
NS	Rubber Plug (Water Tray)	1	76712012
16	Rear Case assy	1	00000100113
19	Cross Flow Fan 1	1	10352039
18	Bearing Holder Sub-assy	1	26152028
17	Cross Flow Fan 2	1	10352040
20	O-Gasket sub-assy of Bearing	1	76512051
21	Left Evaporator Support	1	24212041
22	Evaporator Assy	1	01002000027
23	Wall Mounting Frame	1	01252398
24	Fan Motor	1	1501213401
25	Pipe Clamp	1	26112071
26	Drainage Hose	1	0523001404
NS	Cover Plate	1	2012212402
NS	Motor Fixed Clip 1	1	26112324
29	SteppingMotor	1	1521210701
31	Press Plate(Crank)	1	26112070
32	Crank-guide	1	10582041
33	Upper Crank	1	10562004
NS	Lower crank	1	10562005
34	Electric Box Assy	1	100002064434
35	Electric Box	1	201022502
36	Transformer	0	none
37	Terminal Board	1	42011233
NS	Main Board	1	30138001017
39	Display Board	0	none
41	Electric Box Cover	1	201022523
NS	Electric Box Cover	1	2011204404S
43	Display Board	1	30565277
42	Remote Controller	1	305001000085
45	Connecting Cable	0	none
48	Power Cord	0	none
44	Signal Wire	1	4001024507
46	Temperature Sensor	1	390000592
47	Temperature Sensor	1	390000453

VIR36HP230V1CO Parts List



NO.	Description
	Product Code
1	Front Grill
2	Cabinet
3	Front Side Plate
4	Axial Flow Fan
5	Drainage Plug
6	Chassis Sub-assy
7	Drainage Connector
8	Compressor Gasket
9	Compressor and fittings
10	Electrical heater
11	Magnet Coil
12	4-way Valve Assy
13	Right Side Plate
14	Valve Support Sub-Assy
15	Cut-off Valve
16	Valve cover
17	Retaining plate
18	Handle assy
19	Wiring clamp
20	Electronic expansion valve Sub-Assy
21	Temperature Sensor
22	Rear Grill
23	Condenser Assy
24	Clapboard
25	Condenser support plate
26	Motor Support Sub-Assy
27	Top Cover Sub-Assy
28	Electric Box Cover
29	Reactor
30	Electric Box Sub-Assy
31	Pass wire ring sub-assy
32	left handle
33	Left Side Plate
34	Fan Motor
35	Electric Box Cover
36	Main Board
37	Electric Box
38	Radiator
39	Terminal Board
40	Electric Box Assy
41	Electrical Heater (Chassis)

NO.	Description	Part Code	Qty
		VIR36HP230V1CO	
Product Code		CB432W08100	
1	Front Grill	016004060005	1
2	Cabinet	0143500401P	1
3	Front Side Plate	01303249P	1
4	Axial Flow Fan	10335014	1
5	Drainage Plug	7671301802	1
6	Chassis Sub-assy	0280319605	1
7	Drainage Connector	06123401	1
8	Compressor Gasket	76713066	3
9	Compressor and fittings	00205200003	1
NS	Electrical heater	7651000413	1
10	Magnet Coil	4300040029	1
11	4-way Valve Assy	030152000213	1
12	Right Side Plate	0130504402P	1
13	Valve Support Sub-Assy	0171501201P	1
14	Cut-off Valve	07130239	1
15	Valve cover	22245003	1
NS	Retaining plate	02115006P	1
16	Handle assy	02113109	1
NS	Wiring clamp	26115004	1
NS	Electronic expansion valve Sub-Assy	07133684	1
NS	Temperature Sensor	3900031001	1
18	Rear Grill	01475013	1
19	Condenser Assy	01163491	1
NS	Clapboard	01233134	1
NS	Condenser support plate	01175037	1
20	Motor Support Sub-Assy	01802876	1
21	Top Cover Sub-Assy	000051000024	1
NS	Electric Box Cover	01425281	1
22	Reactor	43130192	2
NS	Electric Box Sub-Assy	02603620	1
NS	Pass wire ring sub-assy	76614102	2
24	left handle	02113031	1
25	Left Side Plate	01305043	1
26	Fan Motor	1570280000405	1
NS	Electric Box Cover	01425281	1
NS	Main Board	300027000216	1
NS	Electric Box	02603614	1
NS	Radiator	49010252	1
39	Terminal Board	42200006001401	1
27	Electric Box Assy	100002001028	1
NS	Electrical Heater (Chassis)	7651000413	1

Above data is subject to change without notice.

