



PARTS MANUAL

Slim Duct

MODELS:

UMAT18HP230V1AD
UMAT24HP230V1AD
UMAT30HP230V1AD
UMAT36HP230V1AD
UMAT42HP230V1AD
UMAT48HP230V1AD

Thank you for choosing our product.
Please read this Parts Manual carefully before operation and
retain it for future reference.

If you lose this Manual, please contact your local distributor or
visit www.greecomfort.com/resources now to download and
file the electronic version.

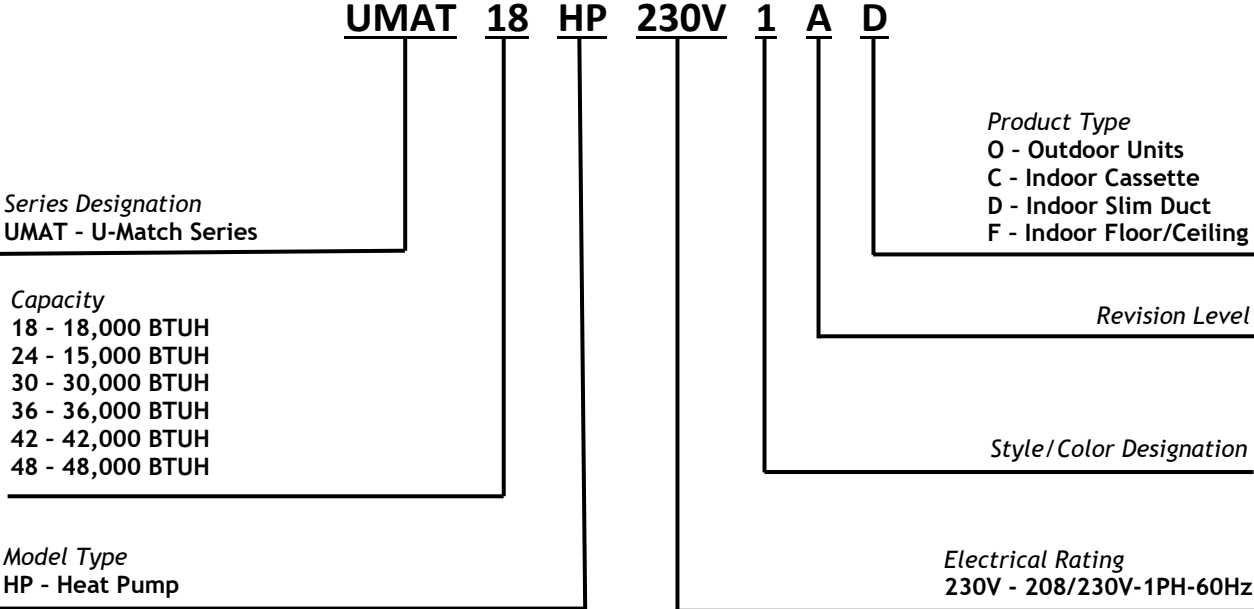
Parts Manual

Table of Contents

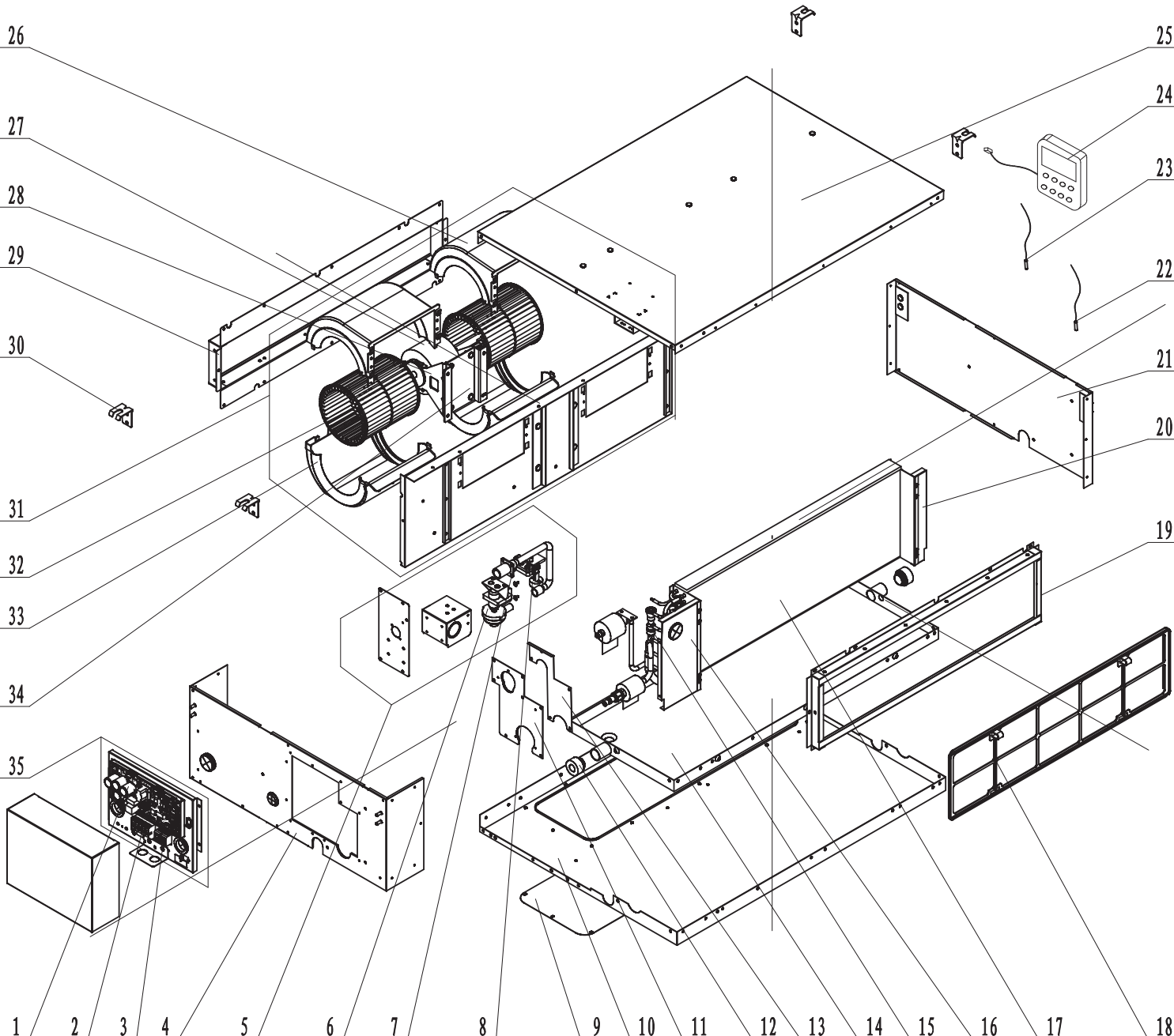
<i>Nomenclature.....</i>	<i>3</i>
<i>UMAT18HP230V1AD EV</i>	<i>4</i>
<i>UMAT18HP230V1AD Parts Lists.....</i>	<i>5</i>
<i>UMAT24HP230V1AD EV</i>	<i>6</i>
<i>UMAT24HP230V1AD Parts Lists.....</i>	<i>7</i>
<i>UMAT30HP230V1AD EV</i>	<i>8</i>
<i>UMAT30HP230V1AD Parts Lists.....</i>	<i>9</i>
<i>UMAT36HP230V1AD EV</i>	<i>10</i>
<i>UMAT36HP230V1AD Parts Lists.....</i>	<i>11</i>
<i>UMAT42HP230V1AD EV</i>	<i>12</i>
<i>UMAT42HP230V1AD Parts Lists.....</i>	<i>13</i>
<i>UMAT48HP230V1AD EV</i>	<i>14</i>
<i>UMAT48HP230V1AD Parts Lists.....</i>	<i>15</i>

Nomenclature

EXAMPLE: UMAT18HP230V1AD



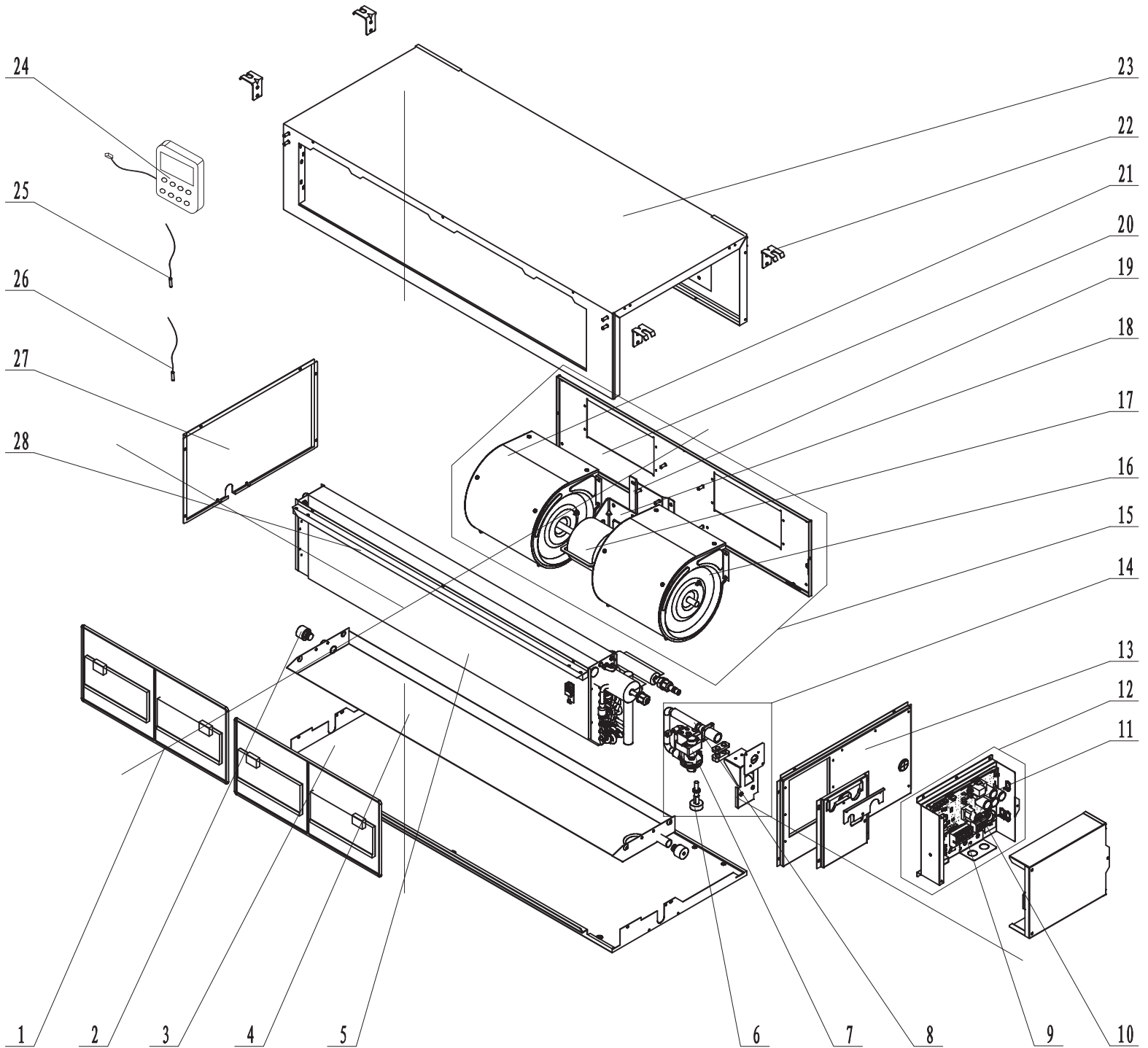
UMAT18HP230V1AD



UMAT18HP230V1AD

NO.	Part Description	Qty	Part Code
1	Main Control Board	1	30224000030
2	Terminal Board	1	42010194
3	Terminal Board	1	4201025301
4	Left Side Plate Assy	1	01315200098
5	Water Pump Assy	1	15405200075
6	Water Pump	1	43138220
7	Water Pump Drain Pipe	1	05235301
8	Water Level Switch	1	45018012
9	Cover Of Air-In	1	01258650
10	Bottom Cover Plate	1	01265409
11	Left Side Plate Seal Sub-Assy	1	01494128
12	Water Pipe Plug	2	76712454
13	Connection Pipe Seal	1	01498640
14	Condensate Water Tray Assy	1	01284166
15	Strainer	1	07212121
16	Evaporator Left Support Sub-Assy	1	01805200310
17	Evaporator Coil Assy	1	01025394
18	Air Filter	1	11725202
19	Return Air Frame Side Plate Sub-Assy	1	02225234
20	Evaporator Right Support Sub-Assy	1	01078625
21	Right Side Plate Sub-Assy	1	01315200077
22	Ambient Temperature Sensor	1	3900012123
23	Temperature Sensor	1	390001921G
24	Display Board	1	30294000007
25	Top Cover Board Sub-Assy	1	01265200095
26	Front Blower Housing	2	22202030
27	Fan Motor	1	15704100001
28	Support	1	01804100140
29	Return Air Frame Sub-Assy	1	01498641
30	Hook	4	02112446
31	Centrifugal Fan Assy	1	15405200031
32	Centrifugal Fan	2	10319051
33	Bottom Blower Housing	2	22202029
34	Motor Support Sub-Assy	2	01709056
35	Electric Box Assy	1	01395200452
N/A	XK-60 Wired Controller	1	30294000007

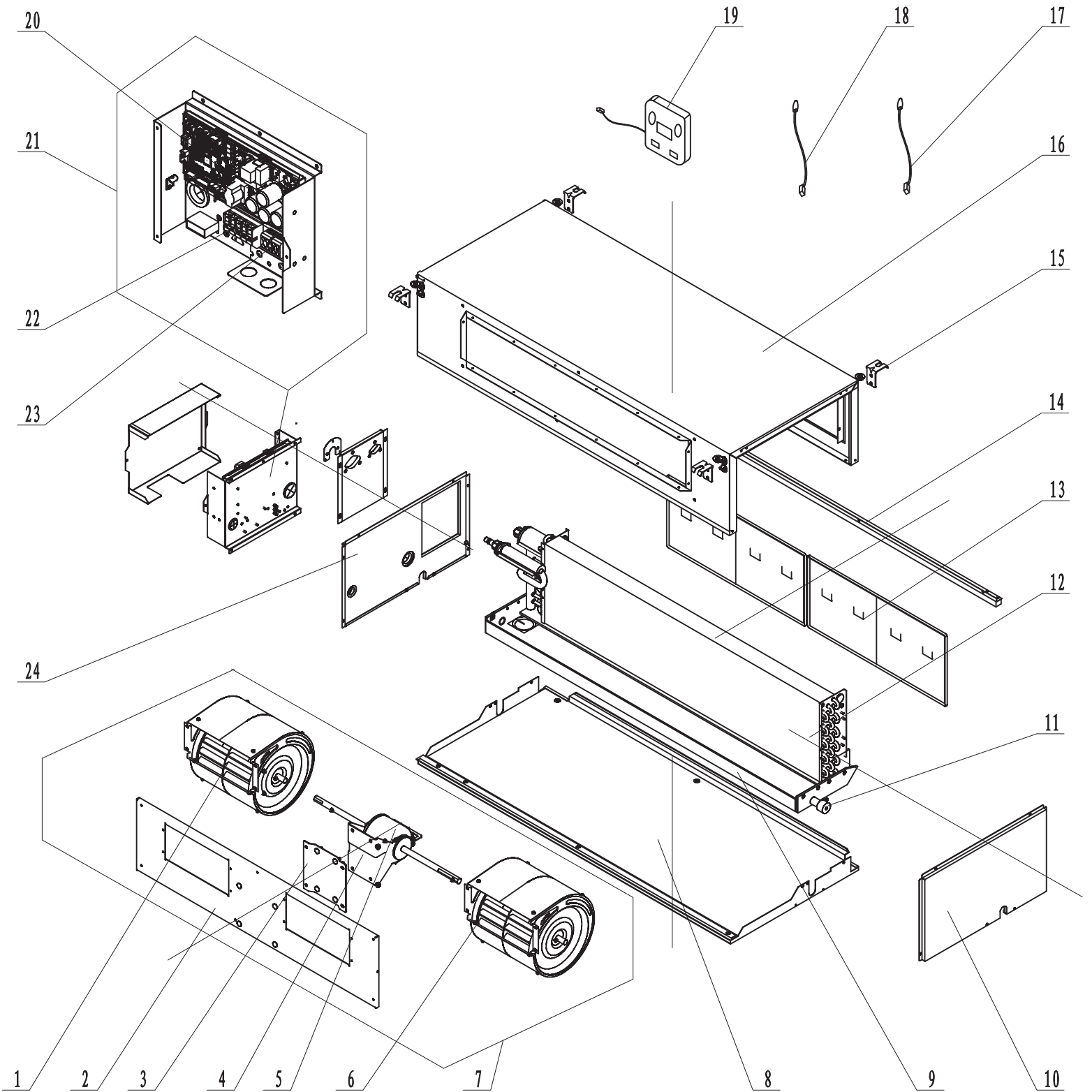
UMAT24HP230V1AD



UMAT24HP230V1AD

NO.	Part Description	Qty	Part Code
1	Filter Sub-Assy	2	11125303
2	Drain Plug	2	76712455
3	Lower Cover Plate Sub-Assy	1	01265304
4	Condensate Water Tray Assy	1	01285317
5	Evaporator Coil Assy	1	01025200050
6	Water Level Switch	1	450127011
7	Water Pump	1	43138220
8	Water Pump Drain Pipe	1	05235301
9	Terminal Board	1	42010194
10	Terminal Board	1	4201025301
11	Main Control Board	1	30224000030
12	Electric Box Assy	1	01395200453
13	Right Side Plate Sub-Assy	1	01315200057
14	Water Pump Assy	1	15405392
15	Centrifugal Fan Assy	1	15405200029
16	Blower	1	15012458
17	Fan Motor	1	15705200006
18	Support	1	01804100140
19	Support Sub-Assy	1	01805200164
20	Blower Mounting Plate Sub-Assy	1	01325200039
21	Blower	1	15012454
22	Hook	4	02112446
23	Top Cover Board Assy	1	01265226
24	Display Board	1	30294000007
25	Ambient Temperature Sensor	1	3900012123
26	Tube Sensor	1	3900012128
27	Left Side Plate Assy	1	01314155
28	Filter Guide Frame Sub-Assy	1	02285301
N/A	XK-60 Wired Controller	1	30294000007

UMAT30HP230V1AD



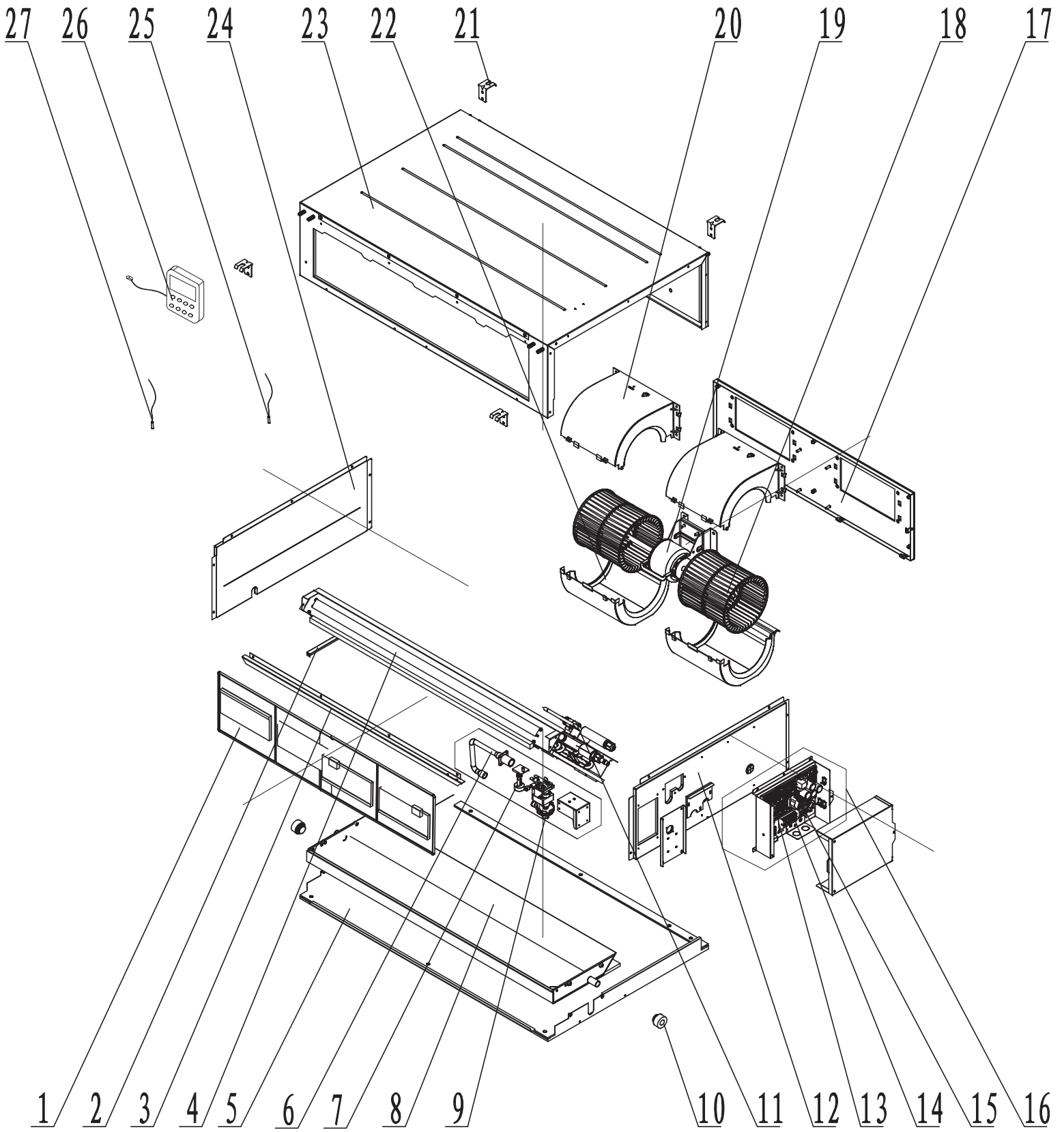
UMAT30HP230V1AD

NO.	Part Description	Qty	Part Code
1	Blower	1	15012454
2	Blower Mounting Plate Sub-Assy	1	01325200039
3	Support Sub-Assy	1	01805200164
4	Support	1	01804100140
5	Fan Motor	1	15705200006
6	Blower	1	15012458
7	Centrifugal Fan Assy	1	15405200029
8	Lower Cover Plate Sub-Assy	1	01265304
9	Condensate Water Tray Assy	1	01285317
10	Left Side Plate Assy	1	01314155
11	Drain Plug	1	76712455
12	Evaporator Coil Assy	1	01025200050
13	Air Filter	2	11125303
14	Filter Guide Frame Sub-Assy	1	02285301
15	Hook	4	02112446
16	Top Cover Board Assy	1	01265226
17	Tube Sensor	1	3900012128
18	Ambient Temperature Sensor	1	3900012123
19	Display Board	1	30294000007
20	Main Control Board	1	30224000030
21	Electric Box Assy	1	01395200453
22	Terminal Board	1	42010194
23	Terminal Board	1	4201025301
24	Right Side Plate Sub-Assy	1	01315200057
N/A	XK-60 Wired Controller	1	30294000007

UMAT36HP230V1AD

NO.	Part Description	Qty	Part Code
1	Air Filter	2	111253031
2	Evaporator Supporting Board	1	018953022
3	Air Intake Side Plate	1	01375301
4	Evaporator Coil Assy	1	01025200052
5	Lower Cover Plate Sub-Assy	1	15265301
6	Water Pump Drain Pipe	1	05235301
7	Water Level Switch	1	4501801203
8	Water Tray Assy	1	01285323
9	Water Pump	1	43138220
10	Drain Plug	1	76712455
11	Strainer	1	07220005
12	Right Side Plate Sub-Assy	1	01315200100
13	Main Control Board	1	30224000030
14	Terminal Board	1	42010194
15	Terminal Board	1	4201025301
16	Electric Box Assy	1	01395200453
17	Blower Mounting Plate Sub-Assy	1	01325200044
18	Centrifugal Fan	2	10424100001
19	Fan Motor	1	15709400006
20	Top Blower Housing	2	26904100051
21	Hook	4	02112466
22	Bottom Blower Housing	2	26904100052
23	Top Cover Board Assy	1	01265200086
24	Left Side Plate Assy	1	01315306
25	Temperature Sensor	1	390001921G
26	Display Board	1	30294000007
27	Ambient Temperature Sensor	1	3900012123
N/A	XK-60 Wired Controller	1	30294000007

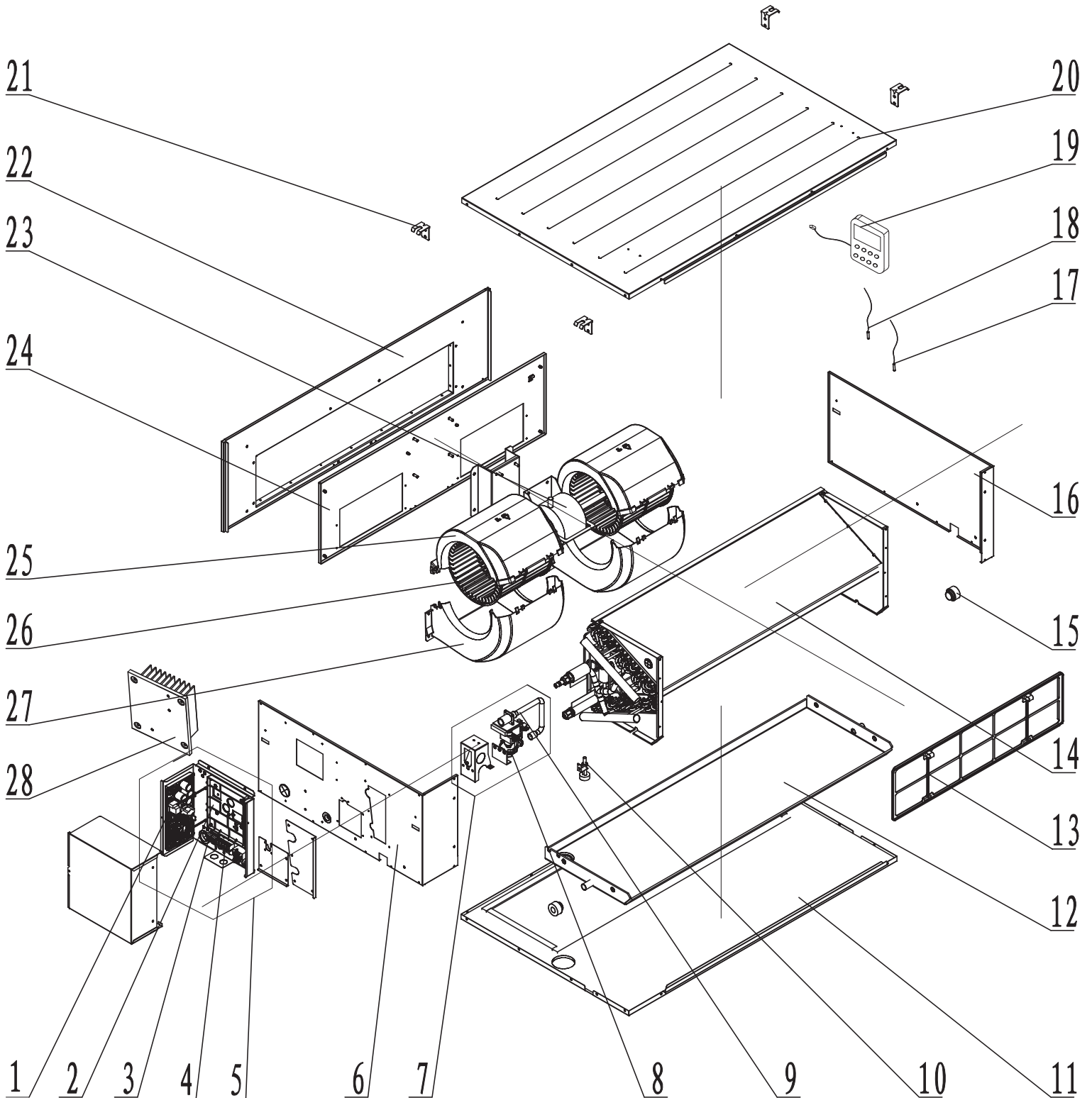
UMAT42HP230V1AD



UMAT42HP230V1AD

NO.	Part Description	Qty	Part Code
1	Air Filter	2	111253031
2	Evaporator Supporting Board	1	018953022
3	Air Intake Side Plate	1	01375301
4	Evaporator Coil Assy	1	01025200052
5	Lower Cover Plate Sub-Assy	1	15265301
6	Water Pump Drain Pipe	1	05235301
7	Water Level Switch	1	4501801203
8	Condensate Water Tray Assy	1	01285323
9	Water Pump	1	43138220
10	Drain Plug	1	76712455
11	Strainer	1	07220005
12	Right Side Plate Sub-Assy	1	01315200100
13	Main Control Board	1	30224000030
14	Terminal Board	1	42010194
15	Terminal Board	1	4201025301
16	Electric Box Assy	1	01395200453
17	Blower Mounting Plate Sub-Assy	1	01325200044
18	Centrifugal Fan	2	10424100001
19	Fan Motor	1	15709400006
20	Upper Blower Housing	2	26904100051
21	Hook	4	02112466
22	Lower Blower Housing	2	26904100052
23	Top Cover Board Assy	1	01265200086
24	Left Side Plate Assy	1	01315306
25	Temperature Sensor	1	390001921G
26	Display Board	1	30294000007
27	Ambient Temperature Sensor	1	3900012123
N/A	XK-60 Wired Controller	1	30294000007

UMAT48HP230V1AD



UMAT48HP230V1AD

NO.	Part Description	Qty	Part Code
1	Main Control Board	1	30224000039
2	Main Control Board	1	30221000011
3	Terminal Board	1	4201025301
4	Terminal Board	1	42010194
5	Electric Box Assy	1	01395200471
6	Right Side Plate Sub-Assy	1	01315200078
7	Water Pump Assy	1	15405200081
8	Water Pump	1	4313822001
9	Water Pump Drain Pipe	1	05235301
10	Water Level Switch	1	4501270301
11	Top Cover Board Assy	1	01265200045
12	Condensate Water Tray Assy	1	01285200025
13	Air Filter	2	111253036
14	Evaporator Coil Assy	1	01025200055
15	Drain Plug	2	76712455
16	Left Side Plate Sub-Assy	1	01315200064
17	Ambient Temperature Sensor	1	3900012123
18	Tube Sensor	1	3900012128
19	Display Board	1	30294000007
20	Bottom Cover Plate Assy	1	01265200081
21	Hook	4	02205209
22	Front Side Plate Sub-Assy	1	01315200091
23	Fan Motor	1	15709400008
24	Blower Mounting Plate Sub-Assy	1	01325200057
25	Upper Blower Housing	2	26905200010
26	Centrifugal Fan	2	10425200002
27	Lower Blower Housing	2	26905200011
28	Radiator	1	49018000068
N/A	XK-60 Wired Controller	1	30294000007



U.S. CONTACT INFORMATION TRADEWINDS, LLC

E-mail: info@twclimate.com

Contractor Support: 888-850-7928 | Mon-Fri 8 AM - 5 PM EDT

GREECOMFORT.COM