

208~230V Floor Ceiling

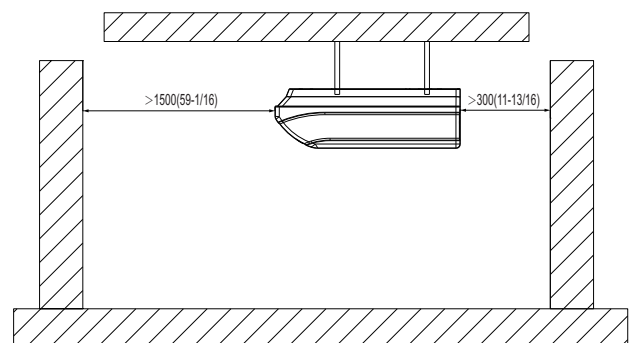
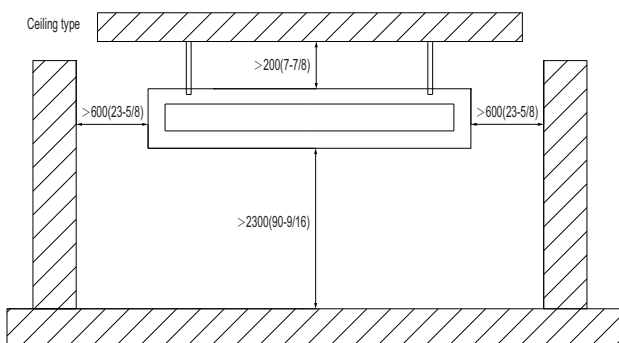
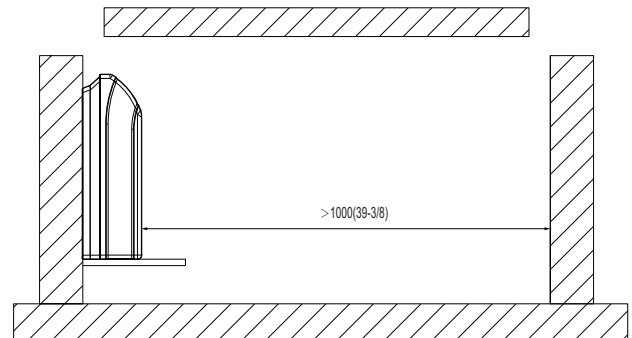
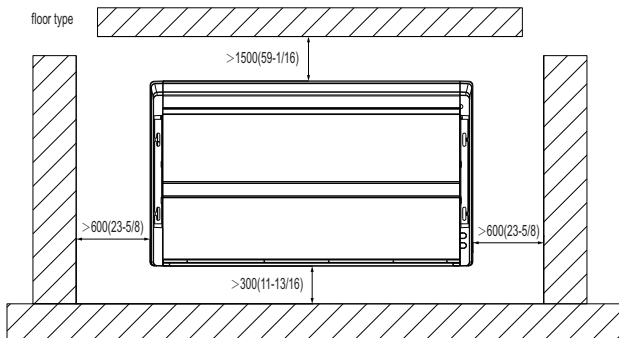
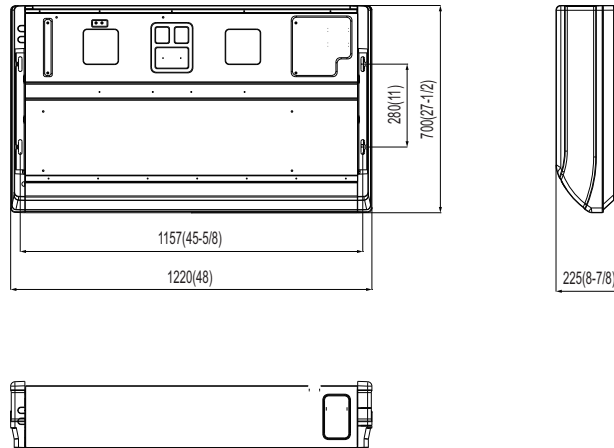
Model:GMV-ND18ZD/A-T(U)



Specifications	Unit	Parameter
Model	—	GMV-ND18ZD/A-T(U)
Performance		
Rated Cooling Capacity	kBtu/h	18
Rated Heating Capacity	kBtu/h	20
Sound Pressure Level	dB(A)	33/38/42
Electrical Data		
Power Supply	Voltage,Phase, Hertz	208/230,1,60
Maximum Overcurrent Protection (MOP)	A	15
Minimum Circuit Amps (MCA)	A	1
Fan		
Type x Quantity	—	Centrifugal×4
Air Flow Volume	CFM	410/510/560
Fan Motor Running Current	A	0.5
Fan Motor Power Output	W	60
Refrigerant Piping		
Connection Pipe	Gas(mm/inch)	Φ15.9/Φ5/8
	Liquid(mm/inch)	Φ9.52/Φ3/8
Connection method	—	Flare Connection
Refrigerant	—	R410A
Dimension/Weight		
Dimensions (H×W×D)	mm/inch	225×1220×700/ (8-7/8×48×27-9/16)
Net Weight	kg/lbs	40/88
Other		
Safety Certification	—	ETL

Job Name:		Date:	
System Reference No.:			
Engineer Signature:			

Outline and Physical Dimensions of GMV-ND18ZD/A-T(U).



Unit:mm(in.)

