

## SUBMITTAL DATA

MULTIU18HP230V1DO  
18000 BTU/H Multi-Zone Heat Pump System

Job Name

Location

Date

Purchaser

Engineer

Submitted to

For

Unit Designation

Schedule No.



MULTIU18HP230V1DO

### GENERAL FEATURES

- AHRI Certificate: 203989085 (Non-Ducted)  
204631568 (Ducted)  
204664395 (Mixed)
- High Efficiency DC Inverter Technology
- Compact and Quiet Design
- Auto Restart on Power Outages
- Multi-point Diagnostics
- Wi-Fi Included (Factory Installed)
- Low Ambient Cooling down to 0°F (Range 0°F to 115°F)
- Low Ambient Heating down to -31°F (Range -31°F to 75°F)
- Coil (Outdoor) Copper Tube/Aluminum Fin with Anti-Corrosion Coil Coating (Gold Colored Fin - 1500Hr Salt Spray Rating)
- Coil (Indoor) Copper Tube/Aluminum Fin with Anti-Corrosion Coil Coating (Blue Colored Fin - 500Hr Salt Spray Rating)

# MULTI-ZONE COMPATIBILITY CHART

## WALL MOUNT OPTIONS

	MULTI GEN2					MULTI+ ULTRA			
	MULTI18HP230V1EO	MULTI24HP230V1EO	MULTI30HP230V1EO	MULTI36HP230V1EO	MULTI42HP230V1EO	MULTIU18HP230V1DO	MULTIU24HP230V1DO	MULTIU36HP230V1DO	MULTIU42HP230V1DO
<b>LIVO GEN3</b>									
<b>System Model no.</b>									
LIVV09HP230V1AH	•	•	•	•	•	•	•	•	•
LIVV12HP230V1AH	•	•	•	•	•	•	•	•	•
LIVV18HP230V1AH		•	•	•	•	•	•	•	•
LIVV24HP230V1AH			•	•	•		•	•	•
LIVV30HP230V1AH									
LIVV36HP230V1AH									
<b>LIVO GEN4</b>									
<b>System Model no.</b>									
4LIV05HP230V1AH	•	•	•	•	•				
4LIV07HP230V1AH	•	•	•	•	•				
4LIV09HP230V1AH	•	•	•	•	•	•	•	•	•
4LIV12HP230V1AH	•	•	•	•	•	•	•	•	•
4LIV18HP230V1AH	•	•	•	•	•	•	•	•	•
4LIV24HP230V1AH			•	•	•		•	•	•
4LIV30HP230V1AH									
4LIV36HP230V1AH									
<b>VIREO GEN3</b>									
<b>System Model no.</b>									
3VIR09HP230V1AH & BH <sup>1</sup>	•	•	•	•	•	•	•	•	•
3VIR12HP230V1AH & BH <sup>1</sup>	•	•	•	•	•	•	•	•	•
3VIR18HP230V1AH & BH <sup>1</sup>		•	•	•	•	•	•	•	•
3VIR24HP230V1AH & BH <sup>1</sup>			•	•	•		•	•	•
<b>VIREO+ ULTRA</b>									
<b>System Model no.</b>									
VIRU30HP230V1AH									
VIRU36HP230V1AH									
<b>SAPPHIRE</b>									
<b>System Model no.</b>									
SAP09HP230V1AH	•	•	•	•	•	•	•	•	•
SAP12HP230V1AH	•	•	•	•	•	•	•	•	•
SAP18HP230V1AH		•	•	•	•	•	•	•	•
SAP24HP230V1AH			•	•	•		•	•	•

<sup>1</sup>AH = MATT FINISH; BH = SMOOTH FINISH

## ADDITIONAL INDOOR UNIT OPTIONS

	MULTI GEN2					MULTI+ ULTRA			
	MULTI18HP230V1EO	MULTI24HP230V1EO	MULTI30HP230V1EO	MULTI36HP230V1EO	MULTI42HP230V1EO	MULTIU18HP230V1DO	MULTIU24HP230V1DO	MULTIU36HP230V1DO	MULTIU42HP230V1DO
<b>HIGH STATIC CONCEALED SLIM DUCT</b>									
<b>System Model no.</b>									
DUCT09HP230V1BD	•	•	•	•	•	•	•	•	•
DUCT12HP230V1BD	•	•	•	•	•	•	•	•	•
DUCT18HP230V1BD		•	•	•	•		•	•	•
DUCT24HP230V1BD			•	•	•		•	•	•
<b>CEILING CASSETTE</b>									
<b>System Model no.</b>									
CAS12HP230V1BC	•	•	•	•	•	•	•	•	•
CAS18HP230V1BC	•	•	•	•	•		•	•	•
CAS24HP230V1BC			•	•	•		•	•	•
<b>FLOOR / CEILING</b>									
<b>System Model no.</b>									
FLR09HP230V1BF	•	•	•	•	•	•	•	•	•
FLR12HP230V1BF	•	•	•	•	•	•	•	•	•
FLR18HP230V1BF		•	•	•	•		•	•	•
FLR24HP230V1BF			•	•	•		•	•	•
<b>MINI-CONSOLE</b>									
<b>System Model no.</b>									
CONS09HP230V1AF	•	•	•	•	•	•	•	•	•
CONS12HP230V1AF	•	•	•	•	•	•	•	•	•
CONS18HP230V1AF	•	•	•	•	•		•	•	•

NOTE: All indoor units listed above are backward compatible with MULTI AO, BO, & CO models and MULTIU BO models. However, 4LIV05HP230V1AH & 4LIV07HP230V1AH are only backward compatible with MULTI CO models.

## SPECIFICATIONS, FEATURES & FUNCTION SUMMARY

SPECIFICATIONS		MULTIU18HP230V1DO	
System Type	HEAT PUMP		
Number of Zones	2		
SYSTEM PERFORMANCE		NON-DUCTED INDOOR UNITS	
Cooling	Min - Max	Btu/h	6998 - 21001
	Capacity @95°F	Btu/h	18000
Heating	Min - Max	Btu/h	7000 - 26000
	Capacity @5°F (Max)	Btu/h	21700
	Capacity @17°F	Btu/h	17000
	Capacity @47°F	W	21000
SEER2	20		
EER2	12		
HSPF2	10		
COP @5°F	1.8		
COP @47°F	3.6		
SYSTEM PERFORMANCE		DUCTED INDOOR UNITS	
Cooling	Min - Max	Btu/h	7000 - 19600
	Capacity @95°F	Btu/h	18000
Heating	Min - Max	Btu/h	7000 - 19600
	Capacity @5°F	Btu/h	
	Capacity @17°F	Btu/h	18100
	Capacity @47°F	W	21000
SEER2	14.5		
EER2	8.5		
HSPF2	7.8		
COP @5°F			
COP @47°F	2.7		
SYSTEM PERFORMANCE		MIXED DUCTED AND NON-DUCTED INDOOR UNITS	
Cooling	Min - Max	Btu/h	7000 - 19600
	Capacity @95°F	Btu/h	18000
Heating	Min - Max	Btu/h	7000 - 19600
	Capacity @5°F	Btu/h	
	Capacity @17°F	Btu/h	
	Capacity @47°F	W	21000
SEER2	18.0		
EER2	10.5		
HSPF2	8.6		
COP @5°F			
COP @47°F	3.2		
OUTDOOR UNIT		MULTIU18HP230V1DO	
Cooling Temperature Range	°F	0 - 115	
Heating Temperature Range	°F	-31 - 86	
Refrigerant Type	R410A		
Compressor Type	GREE G-10 / 2 - STAGE INVERTER		
Sound Pressure Level	dB(A)	58	
External Dimensions (W x H x D)	in	37-5/8 x 27-5/8 x 15-5/8	
Package Dimension (W x H x D)	in	40-7/16 x 28-7/8 x 17-7/8	
Net Weight	lbs	172	
Gross Weight	lbs	183	

REFRIGERANT PIPING		
Refrigerant Charge - R410A	oz	77.6
Additional Charge	oz/ft	0.2
Port Size (Liquid - Gas)	port A (in)	1/4 - 3/8
	port B (in)	1/4 - 3/8
	port C (in)	
	port D (in)	
	port E (in)	
Pre-Charge Length	ft	66
Pipe Length (Min - Max)	ft	10 - 164
Pipe Length to furthest Indoor Unit	ft	82
Max. Pipe Elevation	ft	26
ELECTRICAL		
Power Supply	208-230V / 1Ph / 60Hz	
Voltage Range (Min - Max)	VAC	187 - 253
Rated Current - Cooling	A	22
Rated Current - Heating	A	22
MCA	A	20
MOCP	A	35
Suggested Breaker Size	A	20
Main Power Wire Size	AWG	Per Local Code
Interconnecting Wire Size	AWG	14 / 4

FEATURES & FUNCTIONS SUMMARY	MULTIU18HP230V1DO
SYSTEM FEATURES	
Inverter Type	G10
Ultra Low Frequency Torque Control	Yes
Power Factor Correction	Yes
Compressor Type - Inverter	High Efficiency Rotary
Basepan With Electric Heater	Yes
Outdoor Fin Coating (Gold Colored Fin)	Yes
Intelligent Defrosting	Yes
Intelligent Preheating	Yes
Low Voltage Startup	Yes
Memory/Power Failure Recovery	Yes
Self Diagnosis	Yes

## ALLOWABLE COMBINATIONS CAPACITIES

MODEL NUMBER	POSSIBLE COMBINATIONS	COOLING CAPACITY (Btu/h)					HEATING CAPACITY (Btu/h)				
		ZONE1	ZONE2	ZONE3	ZONE4	ZONE5	ZONE1	ZONE2	ZONE3	ZONE4	ZONE5
MULTIU18HP230V1DO	9K + 9K	8.500	8.500				9.000	9.000			
MULTIU18HP230V1DO	9K + 12K	7.286	9.714				7.714	10.286			
MULTIU18HP230V1DO	12K + 12K	8.500	8.500				9.000	9.000			

Outdoor Unit & Possible Indoor Unit Combinations with AHRI Certified Performance

## DIMENSIONS

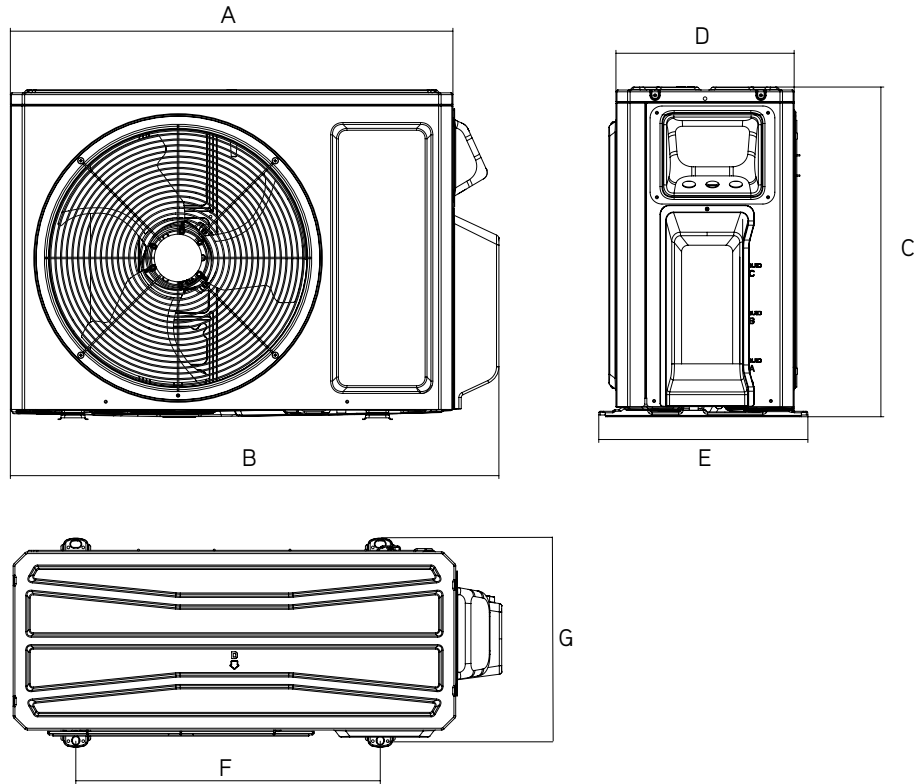
### OUTDOOR UNIT

Unit: inch

MULTIU18HP230V1DO

#### DIMENSIONS

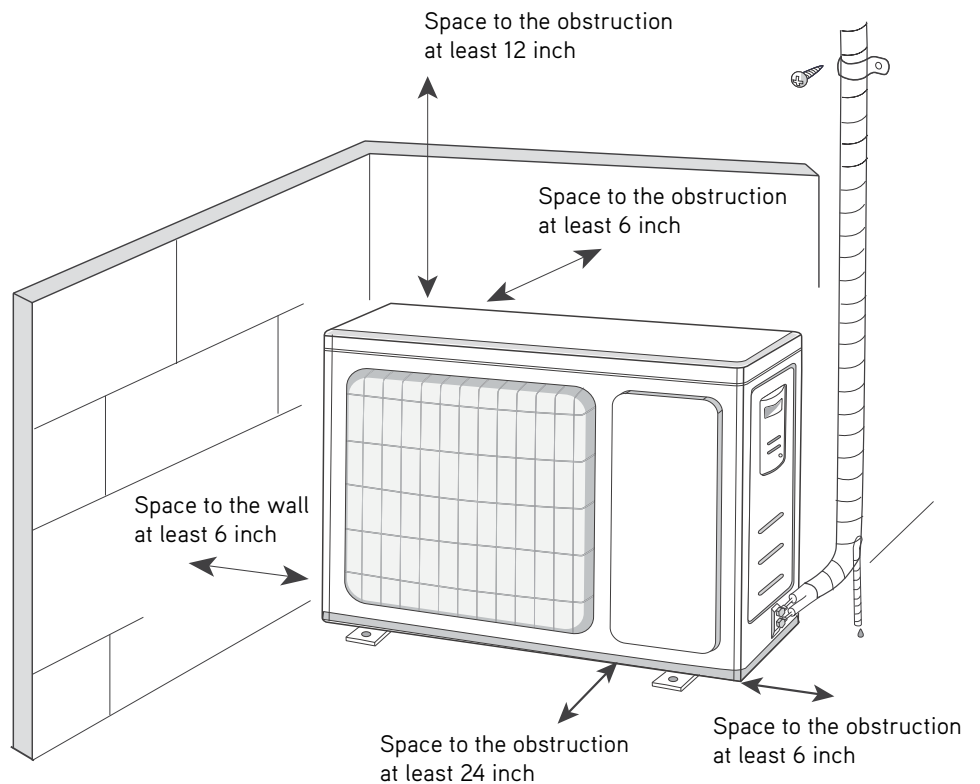
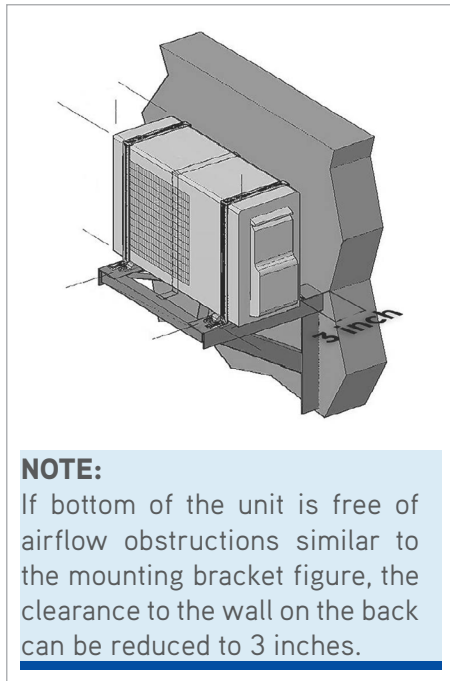
A	36-1/2
B	37-5/8
C	27-5/8
D	14-5/8
E	15-5/8
F	24
G	15-5/8



## CLEARANCES

### OUTDOOR UNIT

Minimum clearance



Specifications are subject to change without notice. Manufacturer reserves the right to discontinue or modify specifications or designs without notice or without incurring obligations. All Rights reserved.

[GREECOMFORT.COM/SYSTEM-DOCUMENTATION](http://GREECOMFORT.COM/SYSTEM-DOCUMENTATION)