



GEN2
MULTI



PARTS MANUAL

OUTDOOR UNIT

MODEL NUMBERS

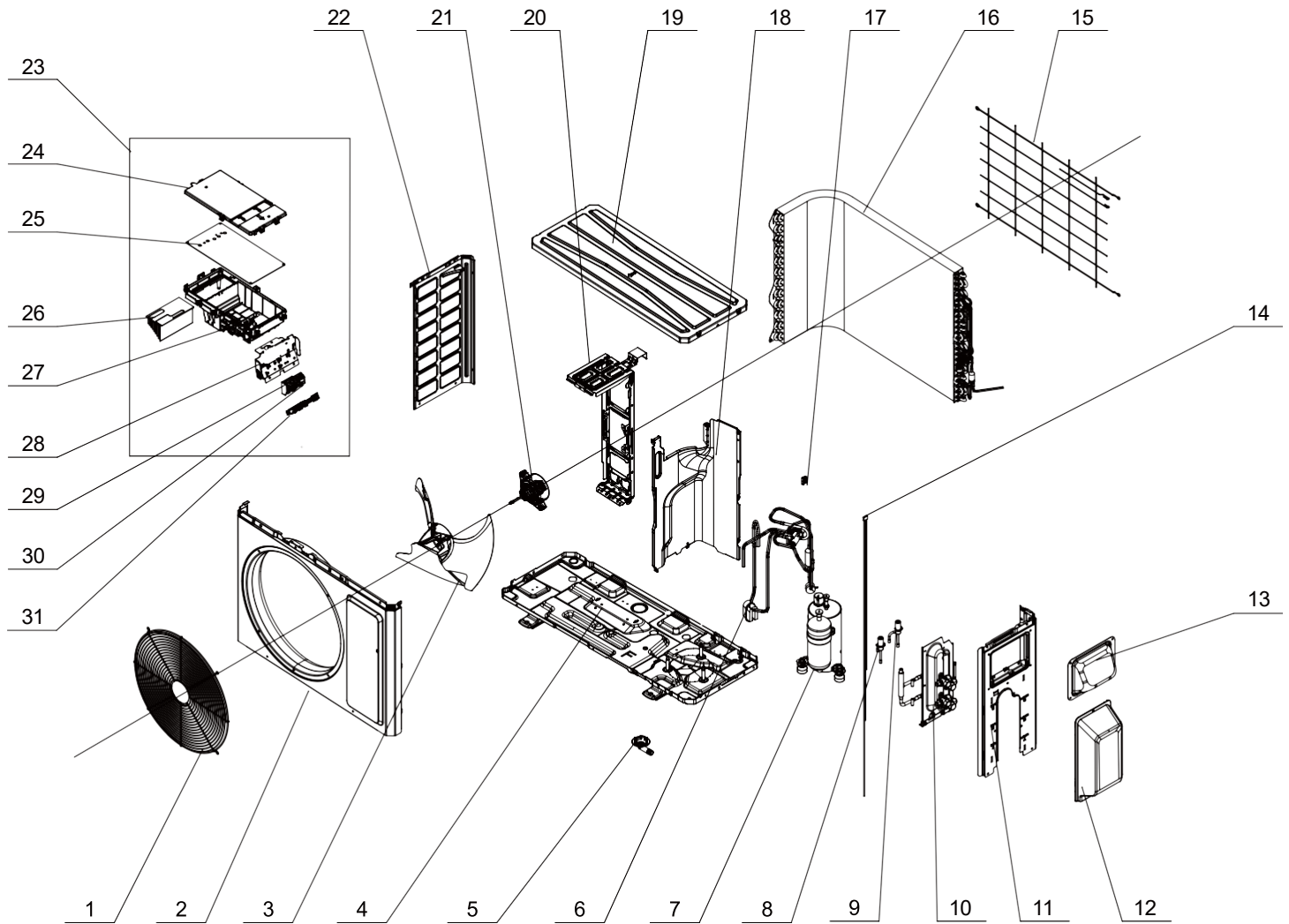
MULTI18HP230V1EO
MULTI24HP230V1EO
MULTI30HP230V1EO
MULTI36HP230V1EO
MULTI42HP230V1EO

Thank you for choosing our product.
Please read this Parts Manual carefully before operation and
retain it for future reference.

If you lose this Manual, please contact your local distributor or
visit www.greecomcomfort.com/resources now to download and
file the electronic version.

Exploded View and Parts List

MULTI18HP230V1EO



Some models may not contain some parts, please refer to the actual product.

GREE ELECTRIC APPLIANCES INC.OF ZHUHAI

GREECOMFORT.COM





MULTI18HP230V1EO



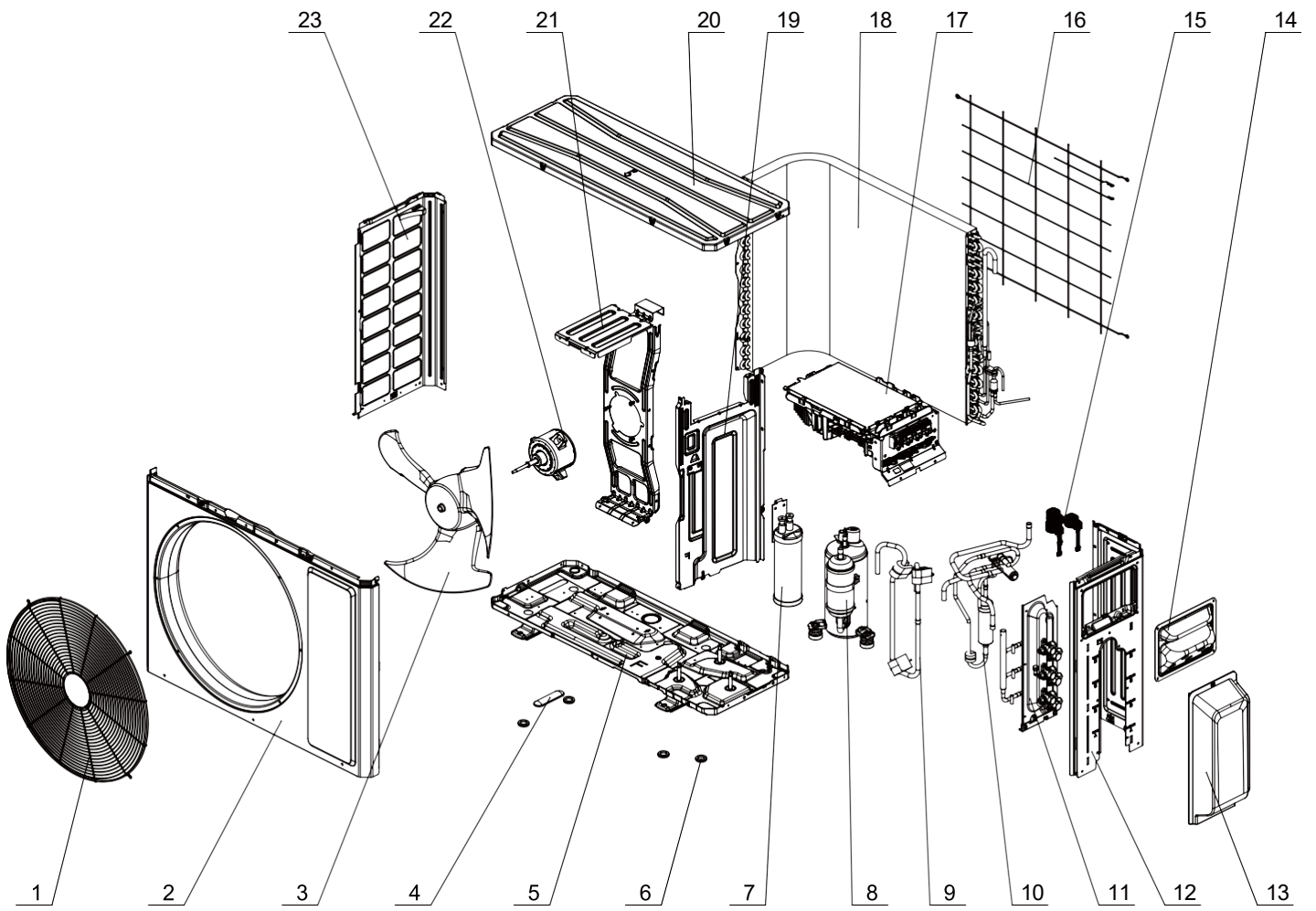
No.	Part Description	Qty.	Part No.
NS	Electrical Heater (Chassis)	1	7651000423
4	Chassis Sub-Assy	1	01700006090P
NS	Compressor OL (External) one	1	00183031
NS	Compressor Gasket	3	009012000026
NS	Compressor OL (External) two	1	00183032
16	Condenser Assy	1	011002062113
NS	Temp Sensor Sleeving	1	05212423
NS	Strainer	1	07225088
NS	Temperature Sensor (Support)	2	42020063
NS	Cut-off Valve Sub-Assy (1/4)	2	030057060367
NS	Cut-off Valve 1/4(N)	1	07130239
NS	Cut-off Valve Sub-Assy 3/8	2	030057060366
NS	Cut-off Valve 3/8(N)	1	071302391
8	EEV Assy 1	1	030174060148
9	EEV Only	1	072009060033
NS	Strainer	2	0721304401
NS	Current Divider	1	07222401
NS	4-Way Valve Assy W/ Weight	1	030152061014
6	4-Way Valve Assy	1	030152061011
NS	4-Way Valve	1	072007060013
NS	Silencer	1	07243066
NS	Sponge (Condenser)	1	12123091
21	Brushless DC Motor	1	150104060095
3	Axial Flow Fan	1	103002060015
NS	Magnet Coil	1	4300040078
NS	EEV Coil 1	1	07200206002309
NS	EEV Coil 1	1	07200206002315
23	Electric Box Assy	1	100002074776
27	Main Board	1	300027062383
NS	XY capacitor	3	33020201



MULTI18HP230V1EO



No.	Part Description	Qty.	Part No.
NS	Relay	1	441001060032
29	Terminal Board 1 (3 Pin)	1	42200006007501
30	Terminal Board 2 (3 Pin)	1	422000060015
NS	Wire Clamp (Clear)	1	200015060023
NS	Wire Clamp (Gray))	1	71010003
NS	Insulation Gasket	1	70410334
NS	Temperature Sensor	1	3900030905
NS	Sensor Sub-Assy	1	390002060125
NS	Heat Insulator	2	12128748
22	Left Side Plate	1	012055060395P01
11	Right Side Plate	1	01205606039601P01
2	Front Panel Assy	1	000003060750
NS	Cabinet	1	01202206001002P01
1	Front Grille	1	016004060011
NS	Top Cover Assy	1	000097060355
19	Top Cover	1	012049060107P
15	Rear Grille	1	016001060082
NS	Sponge (Rear Grille)	1	12204221
13	Handle Assy	1	000223000028
12	Valve Cover	1	200087060006
NS	Drainage Hole Cap 1	2	06813401
NS	Drainage Hole Cap 2	2	7671301802
NS	Adaptor	2	06642038
5	Drainage Joint	1	26113009



The component is only for reference; please refer to the actual product.





MULTI24HP230V1EO



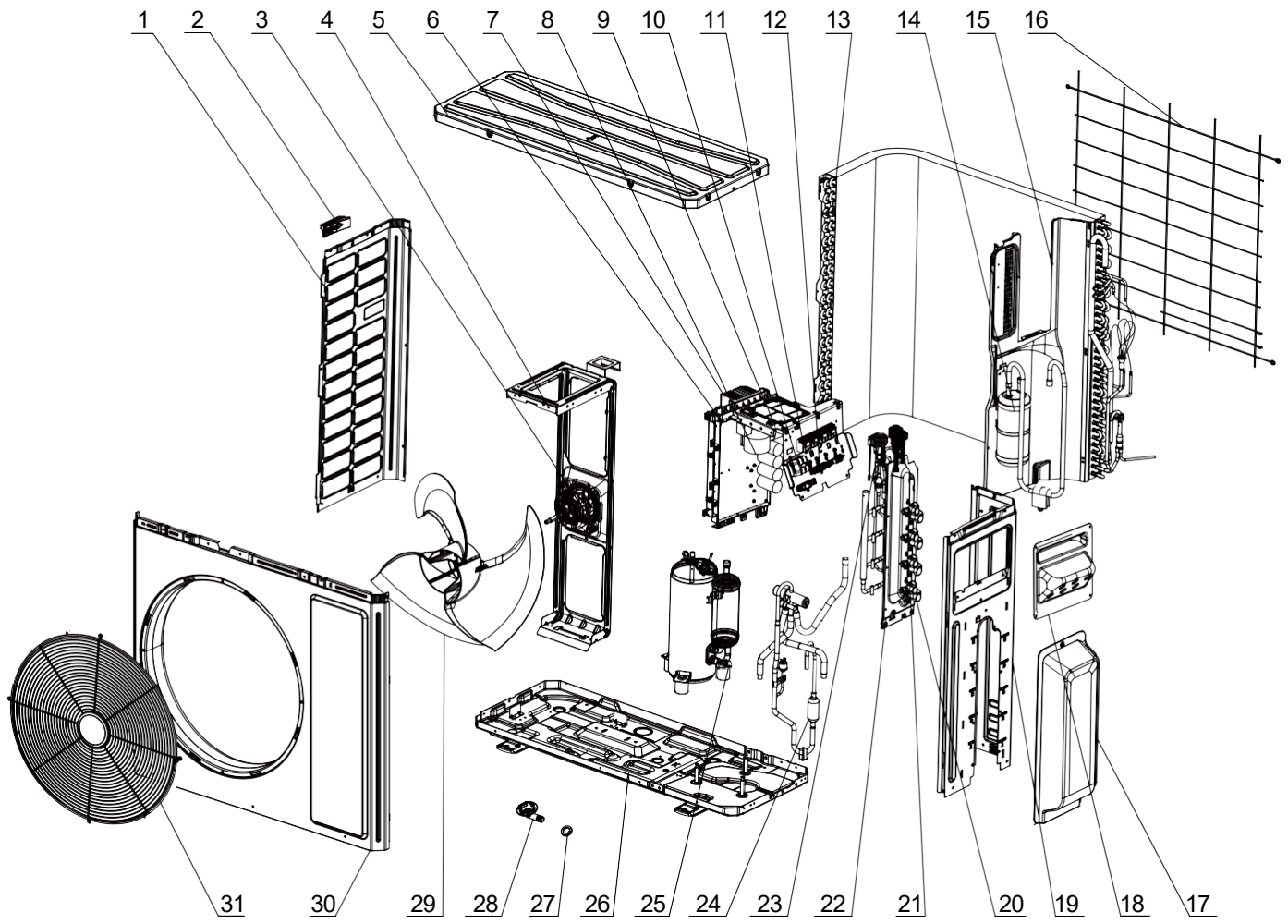
NO.	Description	QTY	Part No
4	Chassis Sub-Assy	1	017000060725P
6	Foot	2	012280060008
NS	Electrical Heater	1	765100049
8	Compressor and Fittings	1	00900106060301
NS	Compressor Gasket	3	009012000022
NS	Compressor OL (External) 1	1	00183032
NS	Compressor OL (External) 2	1	00183031
18	Condenser Assy	1	011002061648
NS	Strainer	1	07225088
NS	Temp Sensor Slewing	4	05212423
NS	Cut-off Valve Sub-Assy 3/8	3	030057060366
NS	Cut-off Valve 3/8 (N)	1	071302391
NS	Cut-off Valve Sub-Assy (1/4)	3	030057060367
NS	Cut-off Valve 1/4(N)	1	07130239
15	EEV Assy	1	030174060163
NS	EEV 1,2,3	3	072009060033
NS	EEV Coil 1	1	07200206002312
NS	EEV Coil 2	1	07200206002327
NS	EEV Coil 3	1	07200206002326
NS	Strainer	3	0721304401
NS	Temp Sensor Support	7	42020063
10	4-Way Valve Assy w/ Weight	1	030152060962
NS	4-Way Valve Assy	1	030152060698
NS	4-Way Valve	1	430004032
NS	Silencer	1	07243027
NS	Rivet Nut M5	1	70310165
7	Gas-liquid Separator	2	07223048
NS	Nuts M5X16	1	70110295
NS	Motor Support Sub-Assy	2	017012060392
21	Motor Support	1	012048060145
22	Brushless DC Motor	1	150104060103



MULTI24HP230V1EO



NO.	Description	QTY	Part No
3	Axial Flow Fan	1	10335262
NS	Magnet Coil	1	4300040071
17	Electric Box Assy	1	100002074775
NS	Main Board	1	300027062497
NS	Relay	1	441001060032
NS	Relay	1	44020452
NS	Electric Box Cover	2	2012302801
NS	Terminal Board	1	42000100000102
NS	Terminal Board	1	422000060015
NS	Insulation Gasket	3	70410334
NS	Wire Clamp	2	71010003
NS	Wire Clamp	1	200015060025
NS	Temperature Sensor 1	1	3900007316
NS	Temperature Sensor 2	1	3900007319
NS	Temperature Sensor 3	1	3900007317
NS	Temperature Sensor 4	1	3900030901
23	Left Side Plate	1	012055060393P
12	Right Side Plate	1	01205606043601P
NS	Front Panel Assy	1	000003060543
2	Front Panel	1	01207306161101P
1	Front Grille	1	016004060017
20	Coping	1	012049060117P
16	Rear Grille	1	016001060085
NS	Sponge (Rear Grille)	1	12204221
14	Handle Assy	2	000223000027
13	Valve Cover	1	200087060007
NS	Adaptor	1	06642038
NS	Drainage Hole Cap 1	3	06813401
NS	Drainage Hole Cap 2	4	7671301802
4	Drainage Joint	1	26113009



The component is only for reference; please refer to the actual product.





MULTI30HP230V1EO



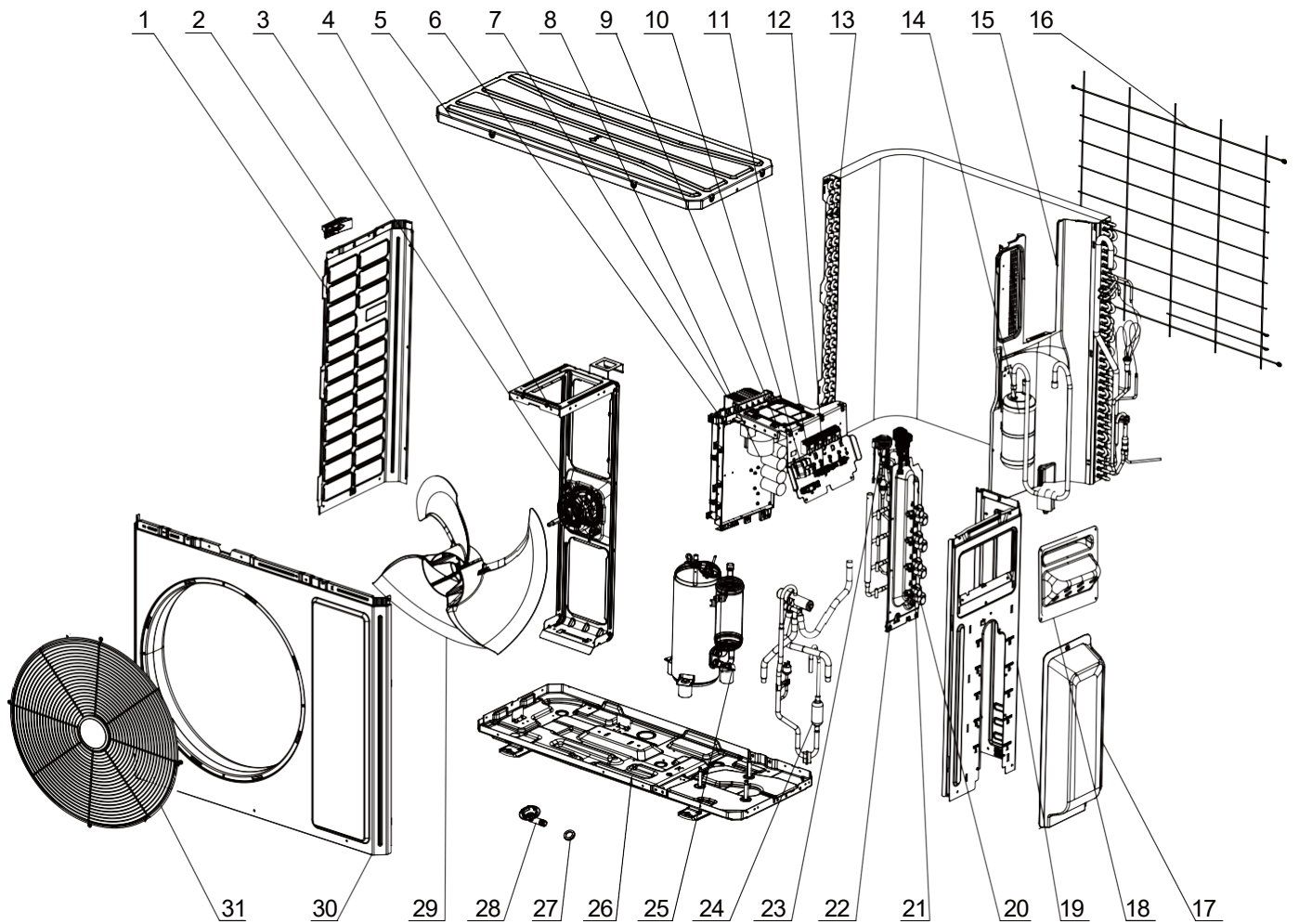
No.	Description	Qty.	Part No.
26	Chassis Sub-Assy	1	01700006084602P
NS	Electrical Heater	1	765100049
25	Compressor and Fittings	1	009001060917
NS	Compressor Gasket	3	76710247
NS	Compressor OL (External) 1	1	00183031
NS	Compressor OL (External) 2	1	00183032
13	Condenser Assy	1	011002062063
NS	Strainer	1	0721160101
NS	Capillary tube	2	81020167
NS	Current Divider	1	035032060012
NS	Temp Sensor Sleeving	9	05212423
14	Gas-liquid Separator Assy	1	07225017
NS	Temperature Sensor Support	9	42020063
23	EEV Assy	1	030174060252
NS	EEV Only	4	072009060033
NS	Strainer	4	0721304401
NS	Cut off Valve Sub-Assy (1/4)	4	030057060367
21	Cut-off valve 1/4(N)	1	07130239
NS	Cut off Valve Sub-Assy 3/8	4	030057060366
20	Cut-off valve 3/8(N)	1	071302391
NS	EEV Coil 1	1	07200206002301
NS	EEV Coil 2	1	07200206002303
NS	EEV Coil 3	1	07200206002304
NS	EEV Coil 4	1	07200206002305
24	4-Way Valve Assy w/Weight	1	030152061055
NS	4-Way Valve Assy	1	030152061053
NS	4-way Valve Only	1	4300008201
NS	Tube Clip	1	2611301901
NS	Pressure Protect Switch	1	4602000604
NS	Silencer	1	07245007



MULTI30HP230V1EO



No.	Description	Qty.	Part No.
NS	Joint	1	06652200001
NS	Fusible Plug	1	035222000004
NS	Magnet Coil	1	4300040072
4	Motor Support Sub-Assy	1	017012060353
3	Brushless DC Motor	1	15010406011801
29	Axial Flow Fan	1	1043410000501
NS	Electric Box Assy	1	100002074778
NS	Filter Board	1	300020060104
8	Main Board	1	300027062668
NS	Relay	1	44020455
10	Terminal Board	1	42200006001201
11	Terminal Board	4	422000060015
NS	Magnetic Ring	1	49018000015
NS	Wire Clamp	1	200015060025
NS	Wire Clamp	1	71010003
NS	Insulation Gasket	1	70410334
NS	Temperature Sensor	1	3900030815
NS	Sensor Sub-Assy	1	39000206003903
NS	Heat Insulator	2	12128748
1	Left Side Panel	1	012055060419P
2	Handle	1	2623305301
30	Front Panel Assy	1	000003060661
NS	Cabinet	1	01202206002101P
31	Front Grille	1	016004060015
19	Right Side Plate	1	01205606056501P
16	Rear Grille	1	016001060101
NS	Top Cover Assy	1	000097060568
5	Top cover	1	012049060148P
18	Handle Assy	1	000223000029
17	Valve Cover	1	200087060009
NS	Packaging Foam	1	110007060697
NS	Packaging Foam	1	110007060696
NS	Adaptor	4	06642038
27	Drainage Hole Cap	4	06813401
28	Drainage Joint	1	26113009



The component is only for reference; please refer to the actual product.





MULTI36HP230V1EO



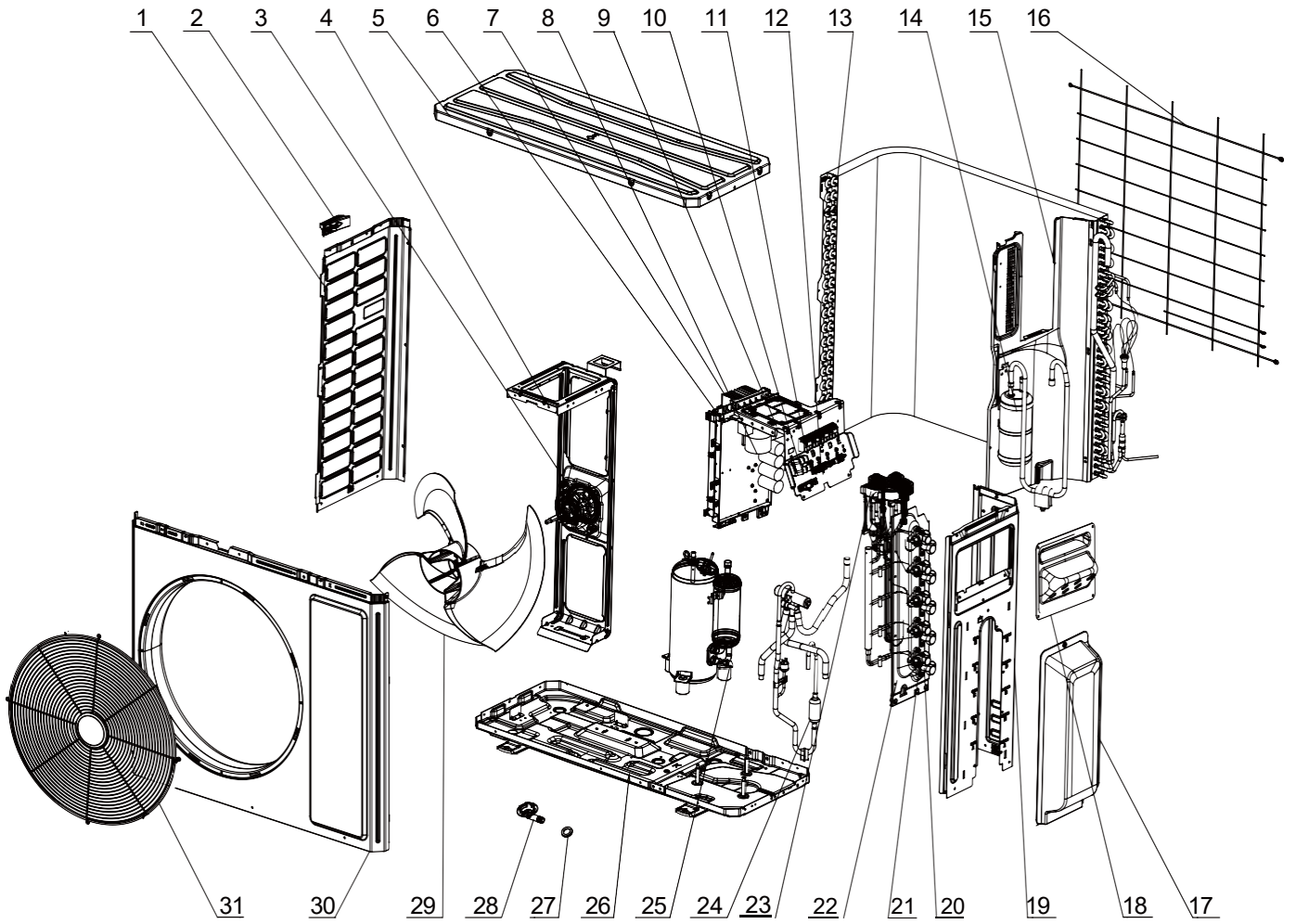
No.	Description	Qty.	Part No.
26	Chassis Sub-Assy	1	01700006084603P
NS	Electrical Heater	1	765100049
25	Compressor and Fittings	1	009001060896
NS	Compressor Gasket	3	76713066
NS	Compressor Overload Protector (External)	1	00183031
NS	Compressor Overload Protector (External)	1	00183032
13	Condenser Assy	1	011002062220
NS	Temp Sensor Sleeving	1	05212423
NS	Strainer	1	035021060019
NS	Current Divider	1	035032060023
14	Gas-liquid Separator Assy	1	07225017
NS	Temperature Sensor Support	1	42020063
23	Electronic Expansion Valve Assy	1	030174060252
NS	Temp Sensor Sleeving	1	05212423
NS	Electronic Expansion Valve	1	072009060033
NS	Strainer	1	0721304401
NS	Temp Sensor Sleeving	1	05212423
NS	Strainer	1	0721304401
NS	Electronic Expansion Valve	1	072009060033
NS	Electronic Expansion Valve	1	072009060033
NS	Strainer	1	0721304401
NS	Temp Sensor Sleeving	1	05212423
NS	Electronic Expansion Valve	1	072009060033
NS	Temp Sensor Sleeving	1	05212423
NS	Strainer	1	0721304401
NS	Cut off Valve Sub-Assy (1/4)	4	030057060367
21	Cut-off valve 1/4(N)	1	07130239
NS	Temp Sensor Sleeving	4	05212423
NS	Cut off Valve Sub-Assy 3/8	4	030057060366
20	Cut-off valve 3/8(N)	1	071302391
NS	Temperature sensor Support QE09	8	42020063
NS	Electric Expand Valve Fitting	1	07200206002301
NS	Electric Expand Valve Fitting	1	07200206002303
NS	Electric Expand Valve Fitting	1	07200206002304
NS	Electric Expand Valve Fitting	1	07200206002305
NS	4-Way Valve Assy	1	030152061151
NS	4-Way Valve Assy	1	030152061148
NS	Silencer	1	07245007



MULTI36HP230V1EO



No.	Description	Qty.	Part No.
NS	Pressure Protect Switch	1	4602000604
NS	4-way Valve	1	4300008201
NS	Tube Clip	1	2611301901
NS	Joint	1	06652200001
NS	fusible plug	1	035222000004
NS	Magnet Coil	1	4300040072
4	Motor Support Sub-Assy	1	017012060353
3	Brushless DC Motor	1	15010406011801
29	Axial Flow Fan	1	1043410000501
6	Electric Box Assy	1	100002077051
NS	Filter Board	1	300020060104
NS	Main Board	1	300027062885
NS	Relay	1	44020455
10	Terminal Board	1	42200006001201
11	Terminal Board	4	422000060015
NS	Magnetic Ring	1	49018000015
NS	Wire Clamp	1	200015060025
NS	Wire Clamp	1	71010003
NS	Insulation Gasket	1	70410334
NS	Temperature Sensor	1	3900030815
NS	Sensor Sub-Assy	1	39000206003903
NS	Heat Insulator	3	12128748
1	Left side plate	1	012055060419P
2	Handle	1	2623305301
30	Front Panel Assy	1	000003060661
NS	Cabinet	1	01202206002101P
31	Front Grill	1	016004060015
19	Right Side Plate	1	01205606056501P
NS	Mesh	1	016001060101
NS	Top Cover Assy	1	000097060568
5	Top cover	1	012049060148P
18	Handle Assy	1	000223000029
17	Valve Cover	1	200087060009
NS	Packaging Foam	1	110007060697
NS	Packaging Foam	1	110007060696
NS	Adaptor	4	06642038
27	Drainage hole Cap	4	06813401
28	Drainage Joint	1	26113009



The component is only for reference; please refer to the actual product.





MULTI42HP230V1EO

MULTI^{GEN2}

No.	Description	Qty.	Part No.
26	Chassis Sub-Assy	1	01700006084603P
NS	Electrical Heater	1	765100049
25	Compressor and Fittings	1	009001060896
NS	Compressor Gasket	3	76713066
NS	Compressor OL (External) 1	1	00183031
NS	Compressor OL (External) 2	1	00183032
13	Condenser Assy	1	011002062220
NS	Temp Sensor Sleeving	11	05212423
NS	Strainer	1	035021060019
NS	Current Divider	1	035032060023
14	Gas-liquid Separator Assy	1	07225017
NS	Temp Sensor Support	11	42020063
NS	Cut off Valve Sub-Assy (1/4)	5	030057060367
21	Cut-off valve 1/4(N)	1	07130239
23	EEV Assu	1	030174060240
NS	EEV Only	5	072009060033
NS	Strainer	5	0721304401
NS	Cut off Valve Sub-Assy 3/8	5	030057060366
20	Cut-off valve 3/8(N)	1	071302391
NS	EEV Coil 1	1	07200206002301
NS	EEV Coil 2	1	07200206002303
NS	EEV Coil 3	1	07200206002304
NS	EEV Coil 4	1	07200206002305
NS	EEV Coil 5	1	07200206002335
NS	4-Way Valve Assy w/Weight	1	030152061151
NS	4-Way Valve Assy	1	030152061148
NS	4-way Valve	1	4300008201
NS	Silencer	1	07245007
NS	Pressure Protect Switch	1	4602000604
NS	Tube Clip	1	2611301901
NS	Joint	1	06652200001



MULTI42HP230V1EO



No.	Description	Qty.	Part No.
NS	Fusible Coil	1	035222000004
NS	Magnet Coil (4-Way Valve)	1	4300040072
4	Motor Support Sub-Assy	1	017012060353
3	Brushless DC Motor	1	15010406011801
29	Axial Flow Fan	1	1043410000501
6	Electric Box Assy	1	100002077052
NS	Filter Board	1	300020060104
NS	Main Board	1	300027062886
NS	Relay	1	44020455
10	Terminal Board	1	42200006001201
11	Terminal Board	5	422000060015
NS	Magnetic Ring	1	49018000015
NS	Wire Clamp	2	200015060025
NS	Temperature Sensor	1	3900030815
NS	Sensor Sub-Assy	1	39000206003904
NS	Heat Insulator	3	12128748
2	Left Side Panel	1	012055060419P
3	Handle	1	2623305301
30	Front Panel Assy	1	000003060661
NS	Cabinet	1	01202206002101P
31	Front Grille	1	016004060015
19	Right Side Plate	1	01205606056501P
16	Rear Grille	1	016001060101
NS	Top Cover Assy	1	000097060568
5	Top cover	1	012049060148P
18	Handle Assy	1	000223000029
17	Valve Cover	1	200087060009
NS	Packaging Foam	1	110007060697
NS	Packaging Foam	1	110007060696
NS	Adaptor	5	06642038
27	Drainage Hole Cap	4	06813401
28	Drainage Joint	1	26113009