



SUBMITTAL DATA: LIVV12HP230V1A		12000 BTU/H Wall Mounted Heat Pump System
Job Name	Location	Date
Purchaser	Engineer	
Submitted To	For	
Unit Designation	Schedule No.	

YAN1F6F	LIVV12HP230V1AH	LIVV12HP230V1AO
----------------	------------------------	------------------------



XE71 (Optional)

GENERAL FEATURES

- AHRI Certificate: [205093061](#)**
- High Efficiency DC Inverter Technology**
- Compact and Quiet Design**
- Wireless Remote with LCD Display**
- Wired Controller Options**
- Wi-Fi Included**
- Low Ambient Cooling down to 0°F (Range 0°F to 115°F)**
- Low Ambient Heating down to -4°F (Range -4°F to 75°F)**
- Coil (Indoor and Outdoor) Copper Tube / Aluminum Fin*[†]**
- * (Blue Fin) 500 Hrs Salt Spray Tested**

5 Year Limited Compressor & Parts Warranty (Residential Only)

SPECIFICATIONS

LIVV12HP230V1AH / LIVV12HP230V1AO

System Type		HEAT PUMP	
SYSTEM PERFORMANCE			
Cooling	Rated Capacity @ 95°F	Btu/h	12000
	Min-Max Capacity	Btu/h	1024 - 12624
Heating	Rated Capacity @ 47°F	Btu/h	13000
	Min-Max Capacity	Btu/h	2388 - 13648
SEER / EER		17 / 9.25	
HSPF / COP		9 / 3.25	
Energy Star®		NO	
Cooling Temperature Range		°F	0 - 115
Heating Temperature Range		°F	-4 - 75
INDOOR UNIT		LIVV12HP230V1AH	
Fan Motor Output Power		W	20
Fan Motor FLA		amps	0.31
Air Flow (Min - Max)		CFM	182 - 294
Sound Pressure Level (Cooling / Heating)		dB(A)	28 - 42 / 30 - 43
Dehumidification		pt/hr	2.96
Condensate Drain Size (OD)		in	0.625
Unit Dimension (WxHxD)		in	33 1/4 x 11 1/4 x 8 3/8
Package Dimension (WxHxD)		in	36 x 14 x 11
Weight (Net / Gross)		lbs	22 / 26.5
OUTDOOR UNIT		LIVV12HP230V1AO	
Compressor Type		GREE G-10 / 1 STAGE INVERTER	
Compressor RLA		amps	6.6
Fan Motor Output Power		W	30
Fan Motor RLA		amps	0.37
Sound Pressure Level (Cooling / Heating)		dB(A)	50
Unit Dimension (WxHxD)		in	30 5/8 x 21 1/4 x 10 1/8
Package Dimension (WxHxD)		in	33 x 23 x 14
Weight (Net / Gross)		lbs	62.8 / 68.4
Refrigerant Charge - R410A		oz	28
Coil Type		Aluminum Fin-Copper Tube / Acrylic Resin Protection	
REFRIGERANT PIPING			
Line Set Size (Liquid - Gas)		in	1/4 - 3/8
Pre-Charge Lengh		ft	25
Pipe Length (Min - Max)		ft	10 - 66
Max. Pipe Elevation		ft	33
ELECTRICAL			
Power Supply (Voltage Operating Range)		208-230V / 1Ph / 60Hz	
Rated Current (Cooling / Heating)		amps	6.5 / 6.3
MCA / MOCP		amps	9 / 15
Main Power Wire Size		AWG	Size Per Local Code
Interconnecting Wire Size		AWG	14 / 4
LIMITED WARRANTY		5 Years Parts and Compressor - Residential	

Features & Function Summary**LIVV12HP230V1A****SYSTEM FEATURES**

Inverter Type	G10
Ultra Low Frequency Torque Control	Yes
Power Factor Correction	Yes
Compressor Type	High Eff. Rotary
Refrigerant Type	R410A
Basepan With Electric Heater	YES
Compressor With Electric Heater	YES
Outdoor Fin Coating (Color: Blue)	Acrylic-Resin/Anti-Corrosive
Intelligent Defrosting	YES
Force Defrosting	YES
Intelligent Preheating	YES
Low Voltage Startup	YES
Memory/Power Failure Recovery	YES
Self Diagnosis	YES
Wired Controller Interface (XE71)	YES
WiFi Included	YES
Indoor Fan Type	Crossflow
Multi Fan Speeds	4 Speeds
Indoor Unit Display	YES
Auxiliary Electrical Heater	NO
Ventilation (Outdoor Air)	NO

REMOTE CONTROLLER FUNCTIONS

Auto Mode	YES
Auto Fan	YES
Manual Horizontal Swing	YES
Auto Swing (Vertical Auto Swing)	YES
Clock on Remote Controller	YES
Dry Mode	YES
Dry Anti-Mildew (X-Fan) Mode	YES
Energy Saving Mode	YES
Dirty Filter Alert	NO
I Feel Function	YES
Lock on Remote Controller	YES
Quiet Mode	NO
Room Temperature Display	YES
Sleep Mode	YES
Timer Mode	YES
Turbo Mode	YES
Display On/Off Control	YES
Freeze Guard Mode (46 °F)	YES
Display On/Off Control	YES

EXTENDED RATINGS

LIVV12HP230V1A

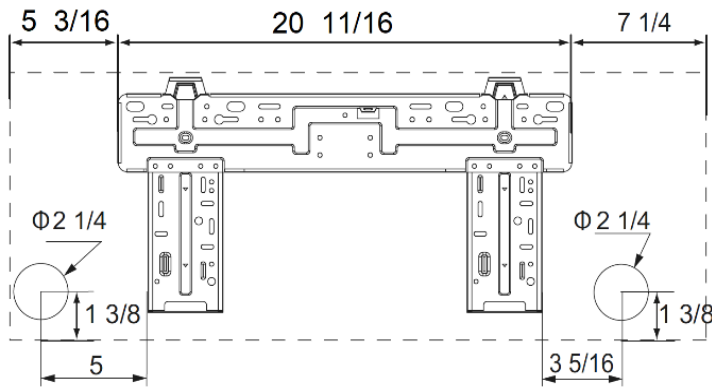
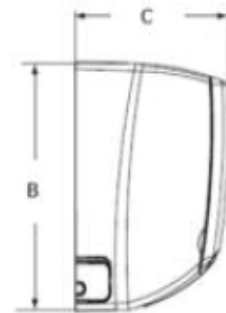
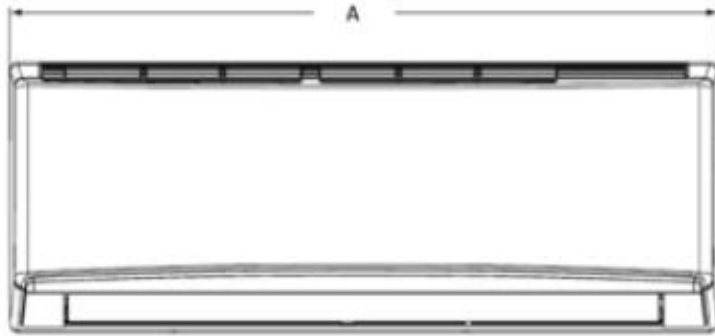
COOLING PERFORMANCE (BtuH)*

Outdoor Ambient Temperature (DB)	Indoor Entering Air Temperatures					
	68°F DB		73°F DB		80°F DB	
	57°F FWB		61°F FWB		67°F FWB	
	TC	SHC	TC	SHC	TC	SHC
0°F	4080	2958	5040	3654	6000	4350
5°F	4680	3416	5640	4117	6600	4818
17°F	5280	3881	6240	4586	7200	5292
23°F	5520	4085	6480	4795	7440	5506
32°F	5760	4291	6720	5006	7680	5722
41°F	6480	4860	7440	5580	8400	6300
50°F	7200	5436	8160	6161	9120	6886
57°F	7680	5837	8640	6566	9600	7296
67°F	8040	6151	9000	6885	9960	7619
75°F	10080	7762	11040	8501	12000	9240
86°F	11160	8649	12120	9393	13080	10137
95°F	10080	7862	11040	8611	12000	9360
104°F	8880	6971	9840	7724	10800	8478
113°F	8160	6446	9120	7205	10080	7963
122°F	6960	5533	7920	6296	8880	7060

HEATING PERFORMANCE (BtuH)*

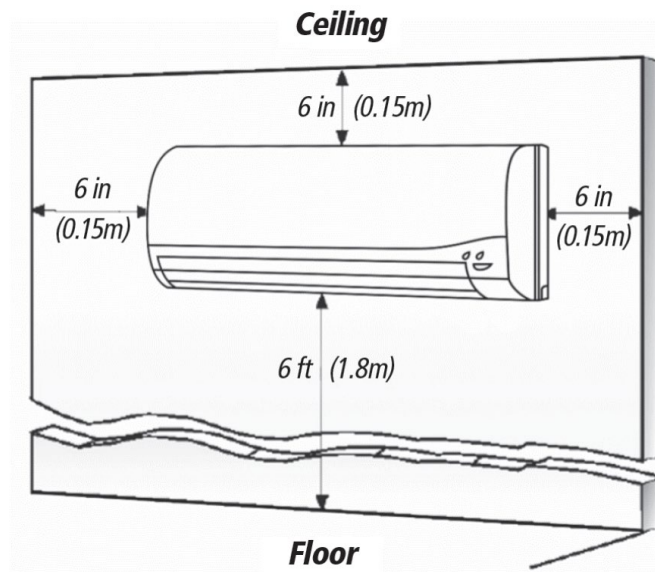
Outdoor Ambient Temperature (DB)	Indoor Entering Air Temperatures								
	68°F DB			70°F DB			80°F DB		
	57°F FWB			60°F FWB			67°F FWB		
	TC	Power Input (KW)	COP	TC	Power Input (KW)	COP	TC	Power Input (KW)	COP
-5°F	5980	938	1.87	6240	958	1.91	6500	977	1.95
0°F	6890	958	2.11	7150	977	2.14	7410	997	2.18
5°F	7280	977	2.18	7540	997	2.22	7800	1017	2.25
10°F	7540	997	2.22	7800	1017	2.25	8060	1038	2.28
17°F	8407	1017	2.42	8667	1038	2.45	8927	1059	2.47
19°F	8840	1038	2.50	9100	1059	2.52	9360	1081	2.54
24°F	10140	1059	2.81	10400	1081	2.82	10660	1103	2.83
32°F	11180	1081	3.03	11440	1103	3.04	11700	1125	3.05
41°F	12090	1103	3.21	12350	1126	3.22	12610	1148	3.22
43°F	12480	1126	3.25	12740	1149	3.25	13000	1172	3.25
47°F	12740	1149	3.25	13000	1172	3.25	13260	1195	3.25
53°F	12870	1183	3.19	13130	1207	3.19	13390	1231	3.19
59°F	13000	1219	3.13	13260	1243	3.13	13520	1268	3.12
64°F	13390	1255	3.13	13650	1281	3.12	13910	1306	3.12
70°F	13780	1293	3.12	14040	1319	3.12	14300	1345	3.11
75°F	14170	1331	3.12	14430	1359	3.11	14690	1386	3.11
78°F	14690	1371	3.14	14950	1399	3.13	15210	1427	3.12

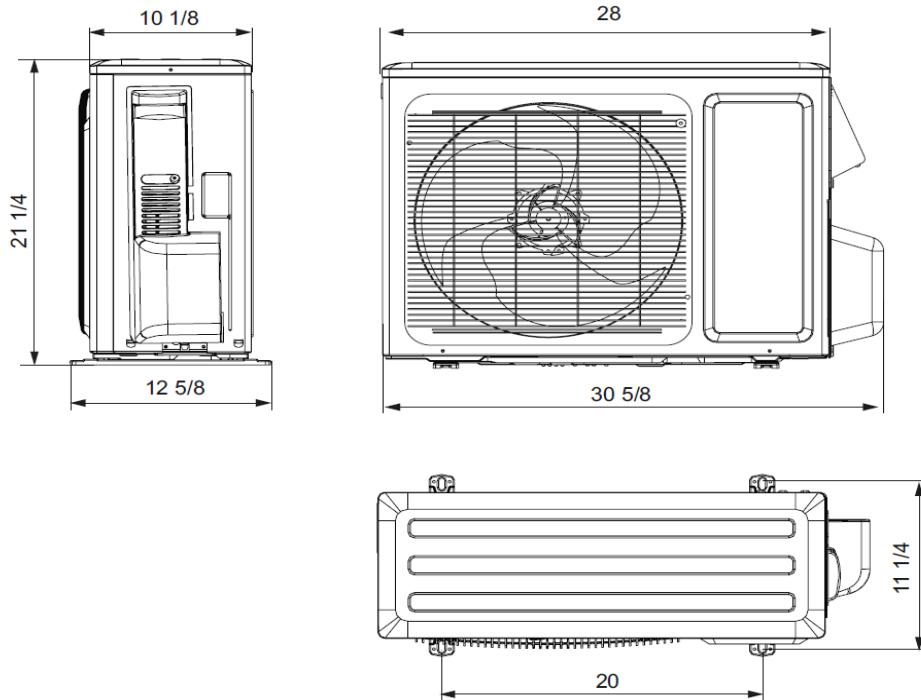
* Maximum system capacity
 TC- Total Capacity (BtuH)
 COP- Coefficient of Performance



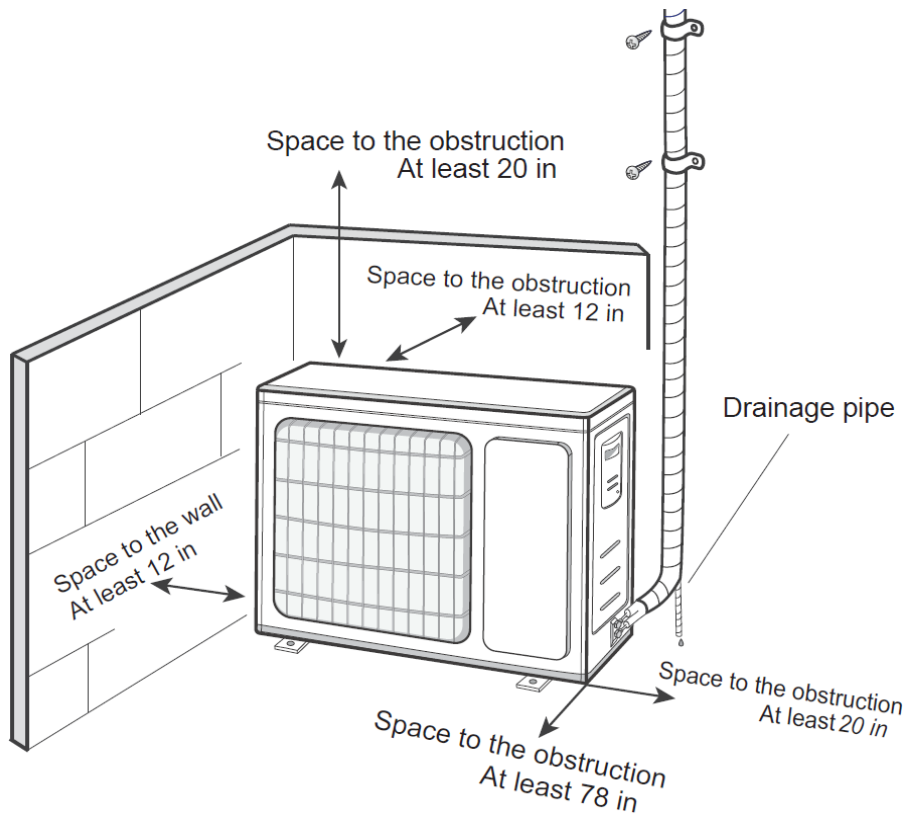
Dimensions	
A	$33 \frac{1}{4}$
B	$11 \frac{1}{4}$
C	$8 \frac{3}{8}$

Unit = Inch





Unit = Inch



Specifications are subject to change without notice. Manufacturer reserves the right to discontinue or modify specifications or designs without notice or without incurring obligations. All Rights reserved.