



PARTS MANUAL

Outdoor Unit

MODELS:

FLEXE24HP230V1AO
FLEXE30HP230V1AO
FLEXE36HP230V1AO
FLEXE42HP230V1AO
FLEXE48HP230V1AO
FLEXE60HP230V1AO

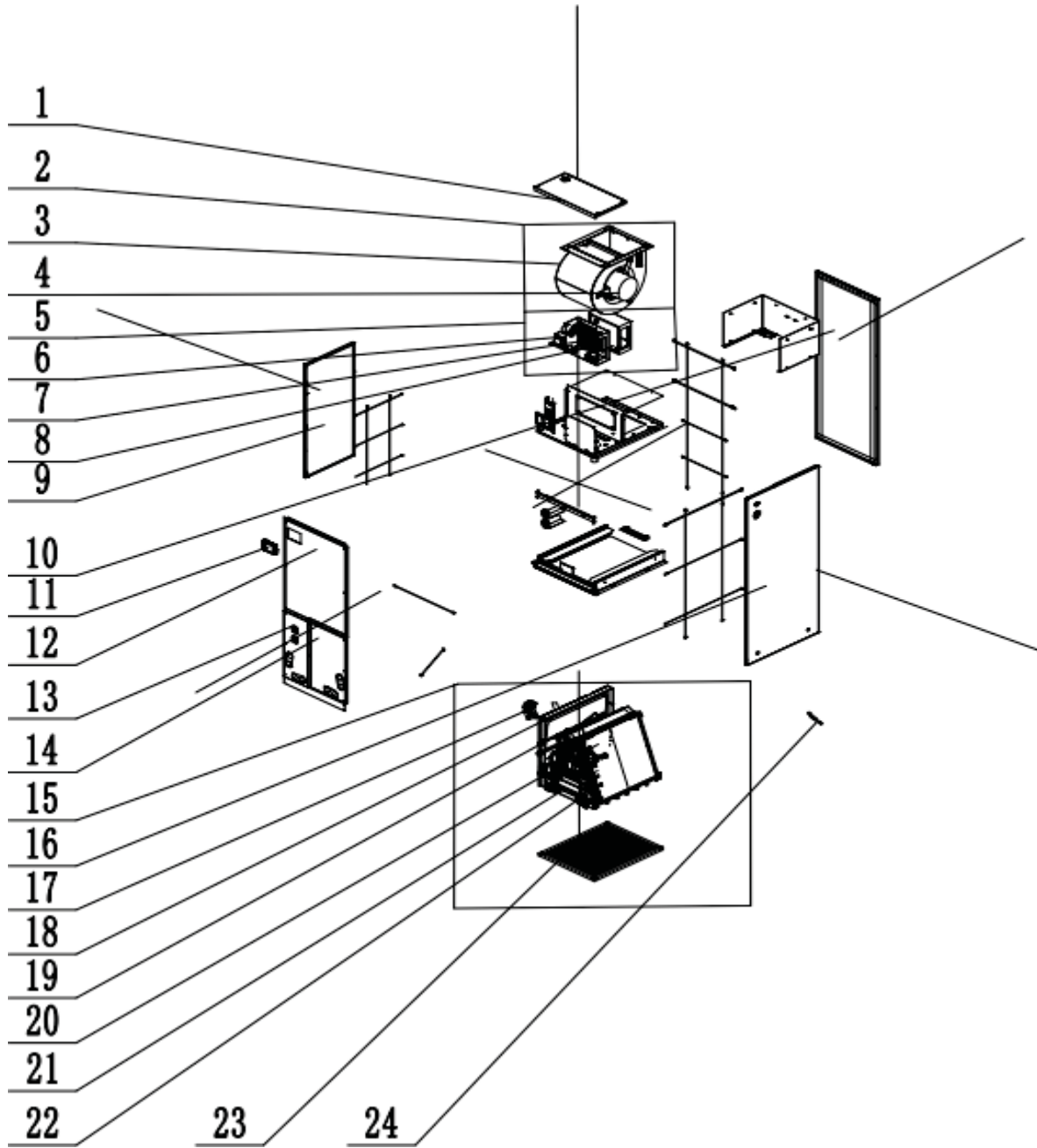
Indoor Unit

MODELS:

FLEXE24HP230V1AH
FLEXE30HP230V1AH
FLEXE36HP230V1AH
FLEXE42HP230V1AH
FLEXE48HP230V1AH
FLEXE60HP230V1AH

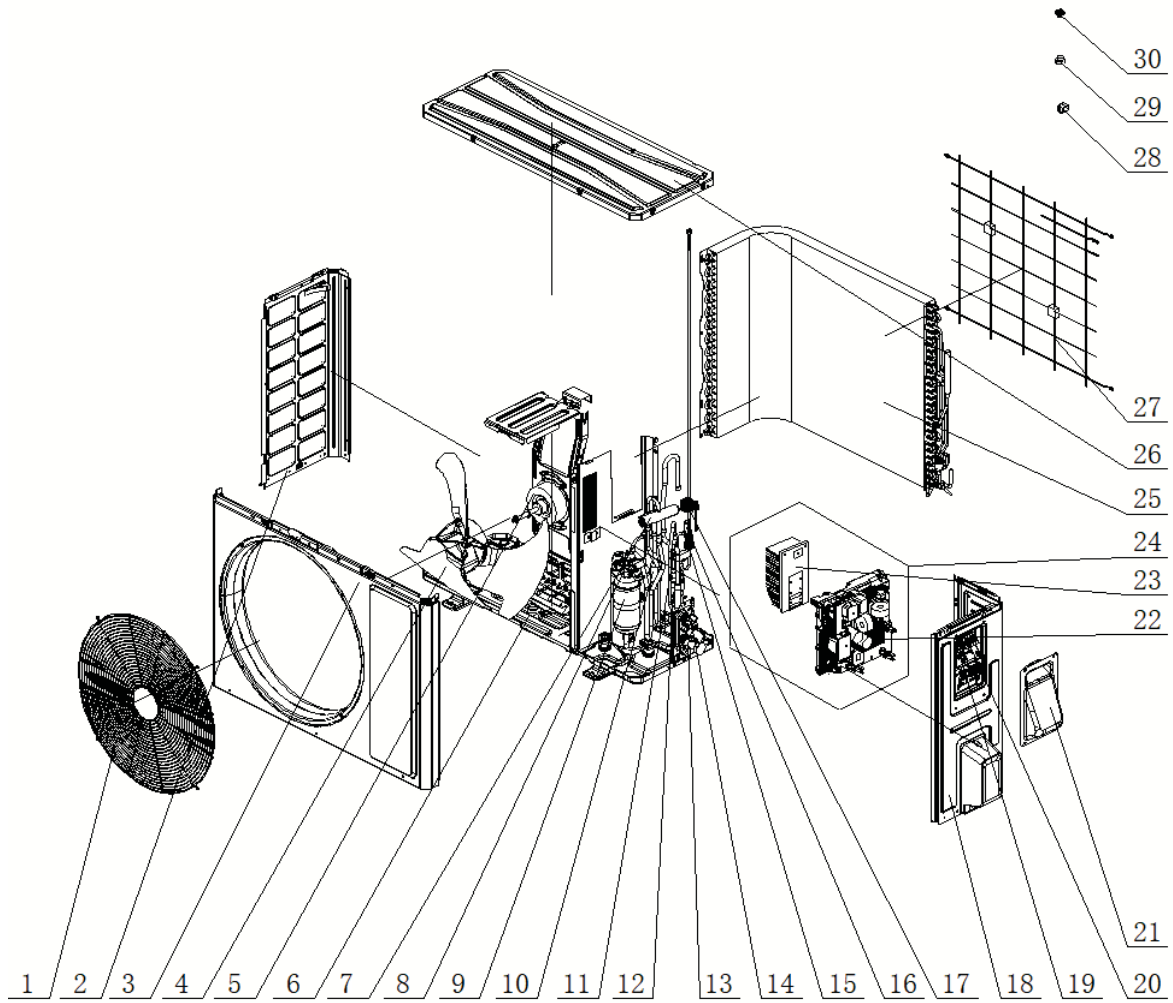
Thank you for choosing our product.
Please read this Parts Manual carefully before operation and
retain it for future reference.

If you lose this Manual, please contact your local distributor or
visit www.greecomcomfort.com/resources now to download and
file the electronic version.



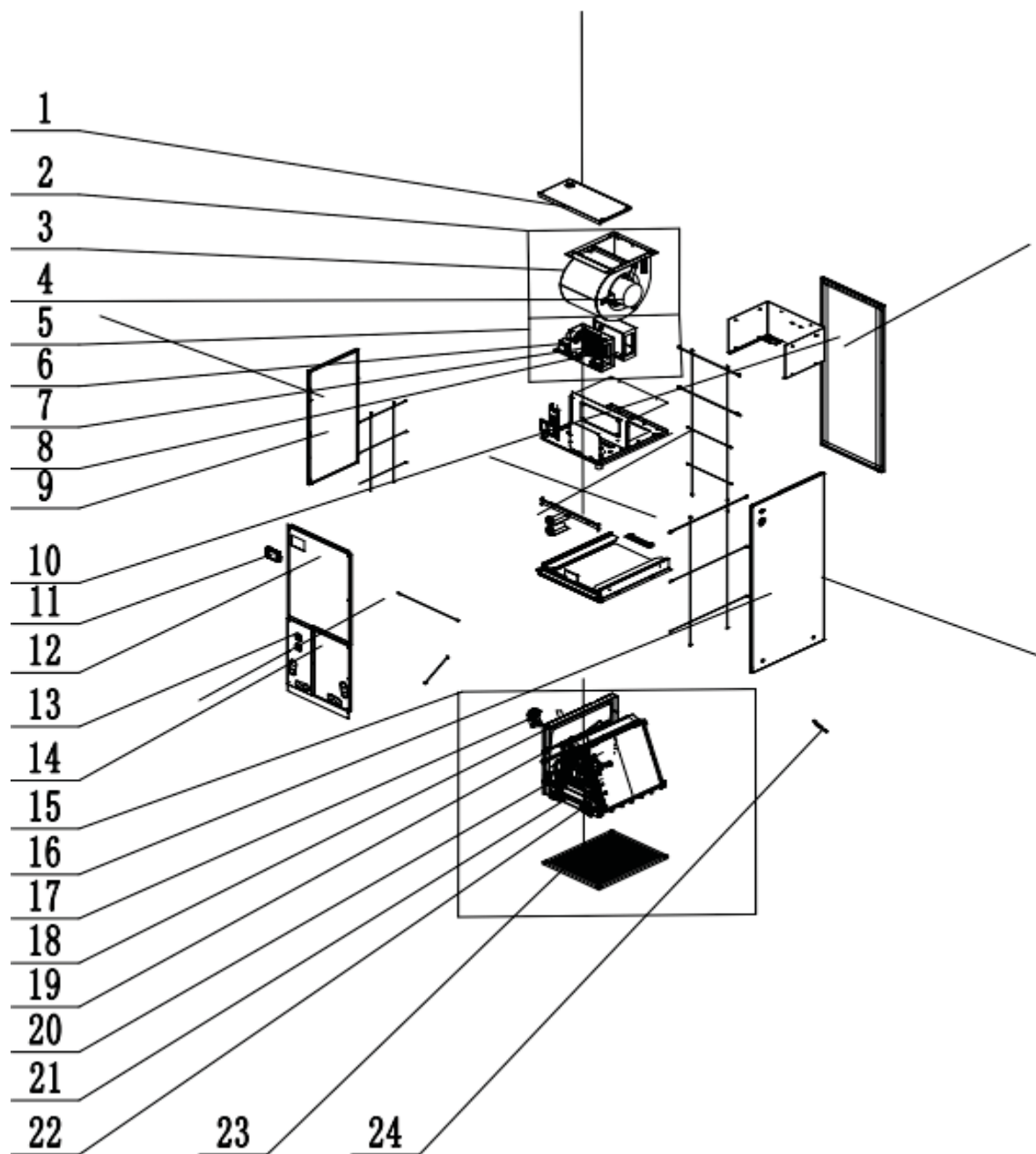
No.	Part Description	Qty.	Part No.
1	Top cover	1	012049060156P01
2	Rear Side Plate Sub-Assy	1	017051060146
3	Top Cover Board Sub-Assy	1	017011060189
4	Bottom Cover Plate Assy	1	000133060052
5	Bottom Cover Plate Assy	1	000133060053
6	Water Tray Assy	1	000069060536
7	Right Side Plate Sub-Assy	1	000130060139
8	Evaporator Assy	1	011001062258
9	Centrifugal fan Assy	1	000052060494
10	Pipe Connector	1	0664002504
11	Filter Sub-Assy	1	111001060269
12	Tube sensor	1	39000286
13	Temperature Sensor	1	none
14	Display Board	1	none
15	Electric Box Assy	1	100002074399
16	Main Board	1	300002062756
17	Left Side Plate Sub-Assy	1	017037060289
18	Right Side Plate	1	01201006211301P
19	Water tray fixing plate 2	1	01842214
20	Rubber Band	1	7661280504
21	Fan fixing plate assembly 1	1	01842232
22	Screw M4X16	1	70111006
23	Electrical Heater Baffle Plate	1	01352200002
24	Rubber Band	1	7661280504
25	Rubber Band	1	76515202
26	Cable Clamp	1	71000151
27	Jumper	1	4202021901
28	Bottom Cover Plate	1	01214706020601P
29	Cable Cross Loop	1	76514801
30	Bottom Cover Plate	1	01214706020701
31	Cover of Switch	1	200088060004
32	Top Cover Sub-Assy	1	000051060175
33	Plastic Cover	1	26902209
34	insulating board	1	75142201
35	Packaging Foam	1	110007060321
36	Packaging Foam	1	110007060322

No.	Part Description	Qty.	Part No.
37	Centrifugal fan Assy	1	000052060494
38	Centrifugal Fan Housing	1	1570220101
39	Capillary tube	1	81020167
40	Temp Sensor Sleaving	1	05212423
41	Strainer	1	035021060019
42	Thermal Expansion Valve	1	071017060022
43	Water Tray	1	2690220000101
44	Water Tray	1	2690220000201
45	Choke Plug	1	76718209
46	Electric Box Assy	1	100002074399
47	Relay	1	44020452
48	Terminal Board	1	4201025503
49	Transformer	1	43110286
50	Sensor Insert	1	42020063
51	Insulation Gasket	1	70410503
52	Wire Clamp	1	71010103
53	Brushless DC Motor	1	15010400001401



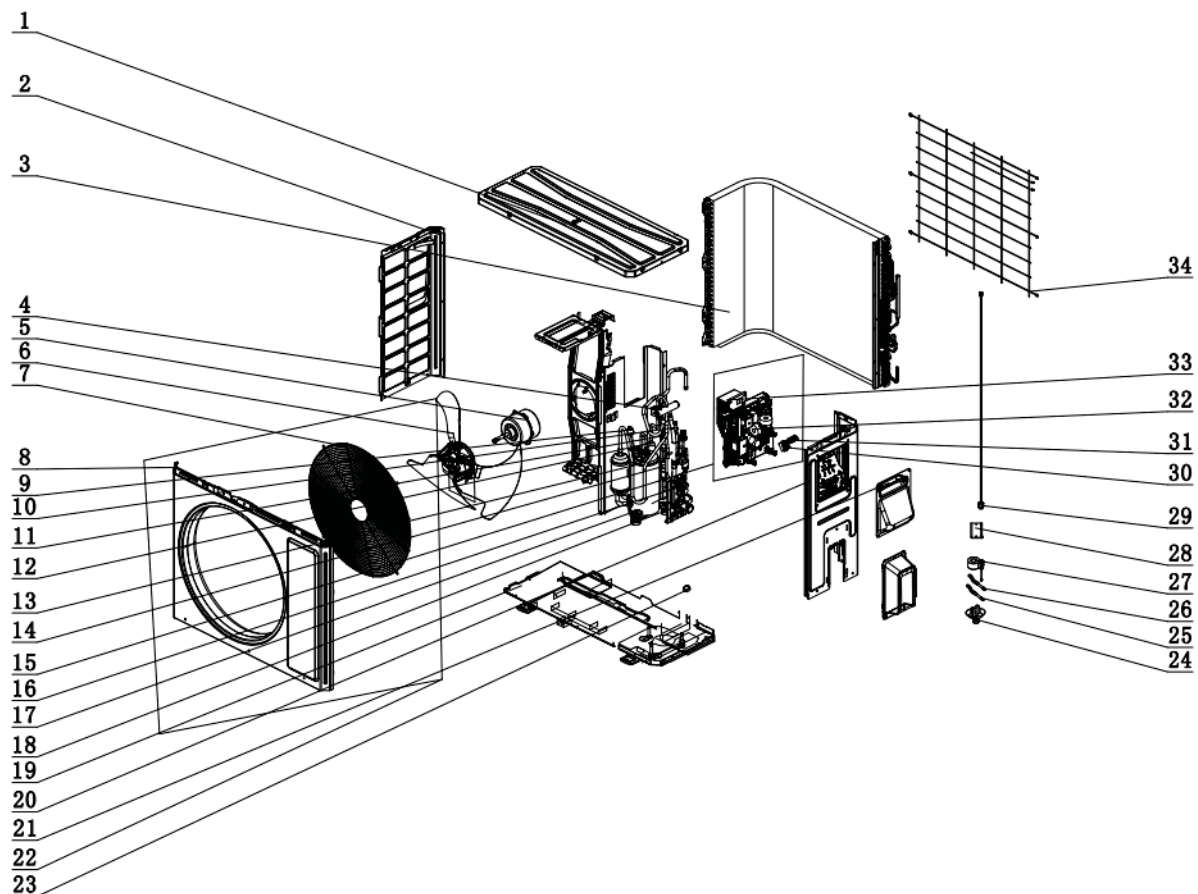
No.	Part Description	Qty.	Part No.
1	Front Grill	1	01600406001701
2	Left Side Plate	1	012055060393P01
3	Front Panel	1	000003060715
4	Axial Flow Fan	1	10335262
5	Brushless DC Motor	1	1501506409
6	Chassis	1	012008060109
7	4-Way Valve	1	430004032
8	Pressure Protect Switch	1	46020007
9	Compressor and Fittings	1	009001060621
10	Silencer	1	07245007
11	Strainer	1	07225088
12	One Way Valve	1	071001060012
13	Cut-off Valve 3/4(N)	1	070001060033
14	Cut-off Valve 3/8(N)	1	070001060023
15	Pressure Sensor	1	43004406002201
16	Electronic Expansion Valve	1	072009060006
17	Electric Expand Valve Fitting	1	07200206002311
18	Right Side Plate	1	01205606038704P01
19	Terminal Board	1	42000100000102
20	Terminal Board	1	422000060106
21	Handle	1	01221006000701
22	Main Board	1	300027062325
23	Radiator	1	430034060150
24	Electric Box Assy	3	100002074486
25	Condenser Assy	1	011002061988
26	Coping	1	012049060117P01
27	Rear Grill	1	01600106008501
29	Drainage hole Cap	1	06813401
30	Drainage Joint	1	26113009
28	4 Way Valve Coil	1	07201006000605
NS	Right Side Panel	2	000081060269
NS	Top Cover	1	000097060516
NS	Compressor OL (External) 2	1	00183031
NS	Compressor OL (External) 1	1	00183032
NS	Compressor Gasket	1	009033060003
NS	Condenser Left Border Plate	1	012009060219
NS	Motor Support	1	012048060145
NS	Front Panel	1	01207306161101P01

No.	Part Description	Qty.	Part No.
NS	Foot	1	012280060008
NS	Chassis Sub-Assy	1	017000060625P01
NS	4-Way Valve Assy	1	030152060860
NS	EEV Assy	1	030174060230
NS	Temp Sensor Slewing	1	05212423
NS	Valve Cover	1	200087060010
NS	Temperature Sensor 2	1	39000106007002
NS	Temperature Sensor 1	1	3900030815
NS	Sensor Insert	1	42020063
NS	Jumper	1	4202021901
NS	Compressor Wiring Harness	1	420400069140
NS	Compressor Wiring Harness	1	420400069140
NS	Relay	1	441001060032
NS	Rivet Nut M5	1	70310165
NS	Right Side Panel	1	000081060269
NS	Top Cover	1	000097060516
NS	Compressor Gasket	1	009033060003
NS	Front Panel	1	01207306161101P01
NS	Chassis Sub-Assy	1	017000060625P01
NS	4-Way Valve Assy	1	030152060860
NS	EEV Assy	1	030174060230
NS	Valve Cover	1	200087060010
NS	Temperature Sensor 2	1	39000106007002
NS	Jumper	1	4202021901
NS	Rivet Nut M5	1	70310165



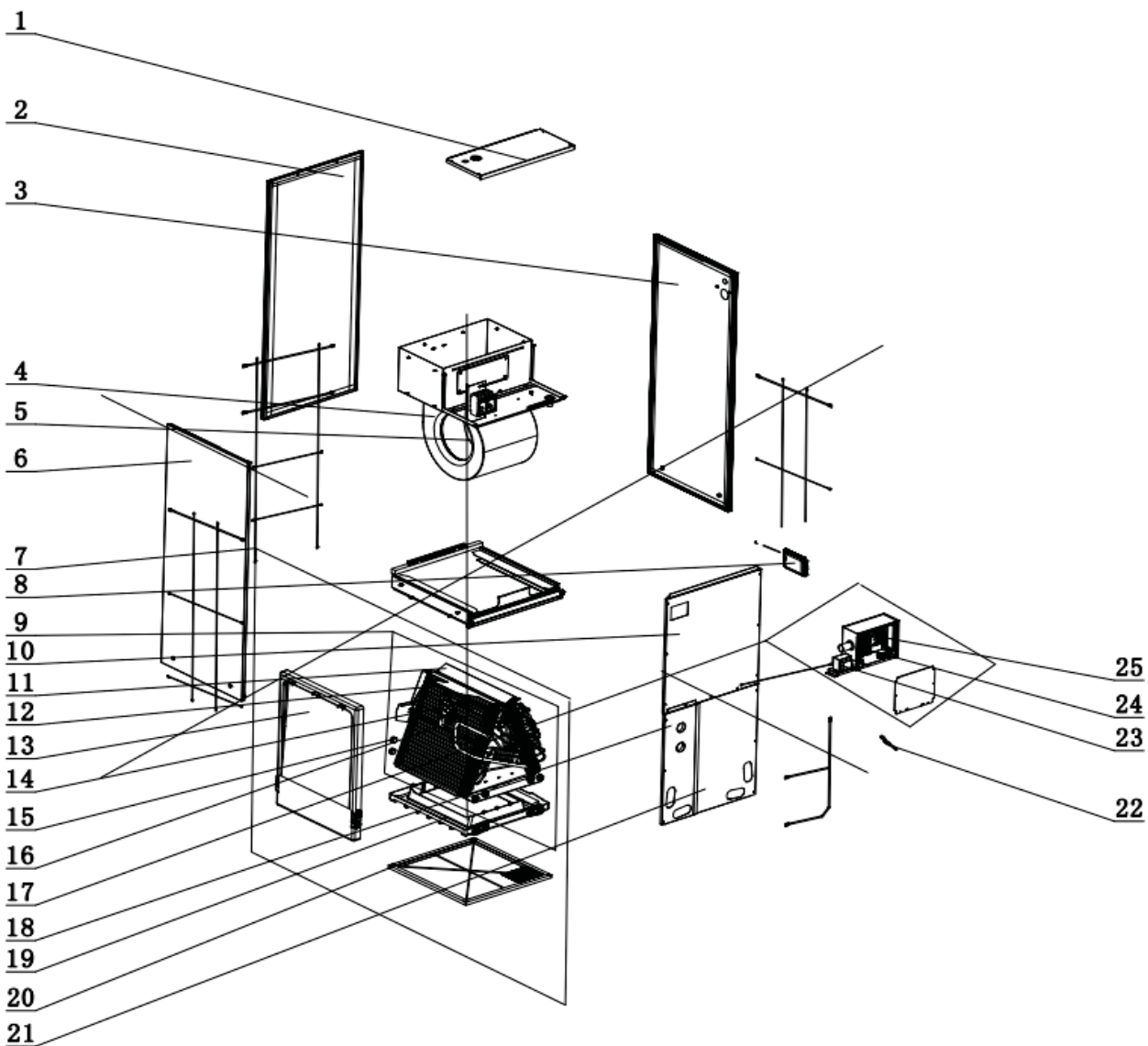
No.	Part Description	Qty.	Part No.
1	Top cover	1	012049060156P01
7	Right Side Plate Sub-Assy	1	300002062756
9	Evaporator Assy	1	017037060289
10	Top Cover Board Sub-Assy	1	017051060146
11	Evaporator Sub-Assy	1	017011060189
12	Evaporator Sub-Assy	1	000133060052
13	Water Tray	1	000133060053
14	Strainer	1	000069060536
15	Choke Plug	1	000130060139
19	Water Tray	1	011001062258
22	Tube sensor	1	0664002504
23	Transformer	1	111001060269
24	Main Board	1	39000286
25	Terminal Board	1	none
26	Display Board	1	none
NS	Right Side Plate	1	01201006211301P
NS	Water tray fixing plate 2	1	01842214
NS	Rubber Band	1	7661280504
NS	Fan fixing plate assembly 1	1	01842232
NS	Screw M4X16	1	70111006
NS	Screw M4X16	1	70111006
NS	Screw M4X16	1	70111006
NS	Screw M4X16	1	70111006
NS	Electrical Heater Baffle Plate	1	01352200002
NS	Rubber Band	1	7661280504
NS	Rubber Band	1	76515202
NS	Cable Clamp	1	71000151
NS	Screw M4X16	1	70111006
NS	Jumper	1	4202021901
NS	Bottom Cover Plate	1	01214706020601P
NS	Cable Cross Loop	1	76514801
NS	Bottom Cover Plate	1	01214706020701
NS	Cover of Switch	1	200088060004
NS	Top Cover Sub-Assy	1	000051060175

No.	Part Description	Qty.	Part No.
NS	Plastic Cover	1	26902209
NS	insulating board	1	75142201
NS	Packaging Foam	1	110007060321
NS	Packaging Foam	1	110007060322
NS	Centrifugal fan Assy	1	000052060494
NS	Centrifugal Fan Housing	1	1570220101
NS	Capillary tube	1	81020167
NS	Temp Sensor Slewing	1	05212423
NS	Strainer	2	035021060019
NS	Thermal Expansion Valve	1	071017060022
NS	Water Tray	1	2690220000101
NS	Water Tray	1	2690220000201
NS	Choke Plug	8	76718209
NS	Electric Box Assy	1	100002074399
NS	Relay	1	44020452
NS	Terminal Board	1	4201025503
NS	Transformer	1	43110286
NS	Sensor Insert	1	42020063
NS	Insulation Gasket	1	70410503
NS	Wire Clamp	1	71010103
NS	Brushless DC Motor	1	15010400001401



No.	Part Description	Qty.	Part No.
1	Top Cover Sub-Assy	1	000051060178
2	Left Side Plate	1	012055060389P01
3	Condenser Assy	1	011002061989
4	4-way Valve	1	4300008201
5	Brushless DC Motor	1	15010400000102
6	Axial Flow Fan	1	103002060027
7	Front Grill	1	01600406001801
8	Cabinet	1	01202206001901P01
9	Pressure Protect Switch	1	46020007
10	ELEC EXP VLV	1	43005016
11	Strainer	2	0721004501
12	Silencer 1	1	07243050
13	Compressor and Fittings	1	009001060755
14	One Way Valve	1	071001060012
15	Electric Box Assy	1	100002076756
16	Compressor Gasket	3	76710247
17	Cut-off valve 3/8(N)	1	070001060023
18	Chassis Sub-Assy	1	01700006071114P01
19	Cut-off Valve 3/4(N)	1	070001060033
20	Right Side Plate Assy	1	000081060285
21	Handle	1	01221006000601P01
22	Front Panel Assy	1	000003060713
23	Drainage hole Cap	3	06813401
24	Drainage Joint	1	26113009
25	Sensor Sub-Assy	0	none
25	Sensor Sub-Assy	0	none
26	Electric Expand Valve Fitting	1	07200206002311
27	4 Way Valve Coil	1	07201006000605
28	Pressure Sensor	1	43004406002201
29	Terminal Board	1	42000100000102
30	Terminal Board	1	422000060106
31	Main Board	1	300027062325
32	Radiator	1	430034060150
33	Rear Grill	1	016001060087
NS	Top cover	1	012049060137P01
NS	Right Side Panel	1	01205606043702P01
NS	Right Handle	1	01221006000601
NS	Rear Grille	1	01600106008701
NS	Motor Support	1	017012060369
NS	4-Way Valve Assy	1	030152060866

No.	Part Description	Qty.	Part No.
NS	Strainer	1	035021060018
NS	Temp Sensor Sleevng	1	05212423
NS	Valve Cover	1	20008706000801
NS	Main Board	1	300027063283
NS	Temperature Sensor 2	1	39000106007002
NS	Temperature Sensor 1	1	3900030815
NS	Sensor Insert	1	42020063
NS	Jumper	1	4202021902
NS	Compressor Wiring Harness	1	420400069139
NS	Compressor Wiring Harness	1	420400069139
NS	Relay	1	441001060032
NS	Rivet Nut M5	1	70310165
NS	Right Side Panel	1	01205606043702P01
NS	Right Handle	1	01221006000601
NS	Motor Support	1	017012060369
NS	4-Way Valve Assy	1	030152060866
NS	Strainer	1	035021060018
NS	Valve Cover	1	20008706000801
NS	Main Board	1	300027063283
NS	Temperature Sensor 2	1	39000106007002
NS	Rivet Nut M5	1	70310165



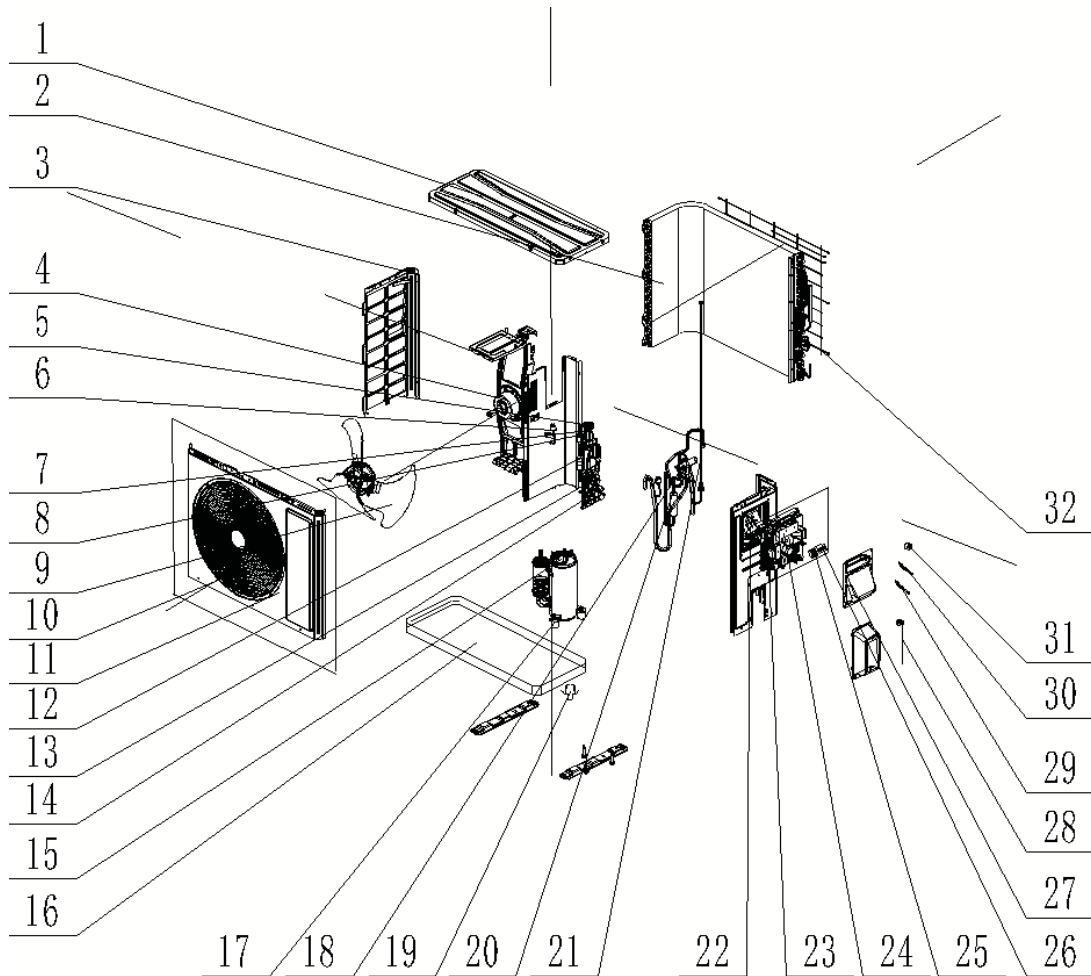


FLEXE36HP230V1AH



No.	Part Description	Qty.	Part No.
1	Left Side Plate Sub-Assy	1	017037060292
2	Left Side Plate	1	0131220001601P
3	Right Side Plate Sub-Assy	1	000130060140
4	Right Side Plate	1	01205606020501P
5	Rear Side Plate Sub-Assy	1	017051060148
6	Rear Side Plate Sub-Assy	1	017051060179P
7	Side Plate	1	012010060972
8	Rubber ring (wire-passing)	1	76612805
9	Screw M4X16	2	70111006
10	Heater Baffle Plate	2	01842232
11	Screw M4X16	4	70111006
12	Screw M4X16	2	70111006
13	Electrical Heater Baffle Plate	1	01352200002
14	Centrifugal fan	1	000052060415
15	Centrifugal Fan Assy	1	1570220201
16	Brushless DC Motor	1	15010400001401
17	Screw M4X16	2	70111006
18	Water Tray Assy	1	000069060528
19	Water Tray	1	2690220401
20	Choke Plug	8	76718209
21	Evaporator Assy	1	011001062231
22	Strainer	2	035021060019
23	Thermal Expansion Valve	1	071017060032
24	Temp Sensor Sleeving	1	05212423
25	Gas Collecting Pipe Sub-Assy	1	030005060844
26	Evaporator Sub-Assy	1	01000106029101
27	Evaporator Sub-Assy	1	01000106029201
28	Water Tray	1	2690220501
29	Electric Box Assy	1	100002074399
30	Main Board	1	300002062756
31	Relay	1	44020452
32	Terminal Board	1	4201025503

No.	Part Description	Qty.	Part No.
33	Transformer	1	43110286
34	Rubber Band	1	7661280504
35	Rubber Band	2	76515202
36	Cable Clamp	3	71000151
37	Jumper	1	4202021902
38	Insulation Gasket	1	70410503
39	Wire Clamp	1	71010103
40	Sensor Insert	1	42020063
41	Temperature Sensor	1	39000286
42	Top Cover Sub-Assy	1	000051060176
43	Cover Plate Sub-Assy	1	011657060451
44	Cover Plate	1	012035061467
45	Cable Cross Loop	2	76514801
46	Cover Plate Sub-Assy	1	011657060445
47	Bottom Cover Plate	1	0126220001801
48	Top Cover Board Sub-Assy	1	017011060190
49	Cover of Switch	1	200088060004
50	Filter Sub-Assy	1	111001060160
51	Plastic Cover	4	26902209
52	insulating board	1	75142201
53	Packaging Foam	1	110007060321
54	Packaging Foam	1	110007060322



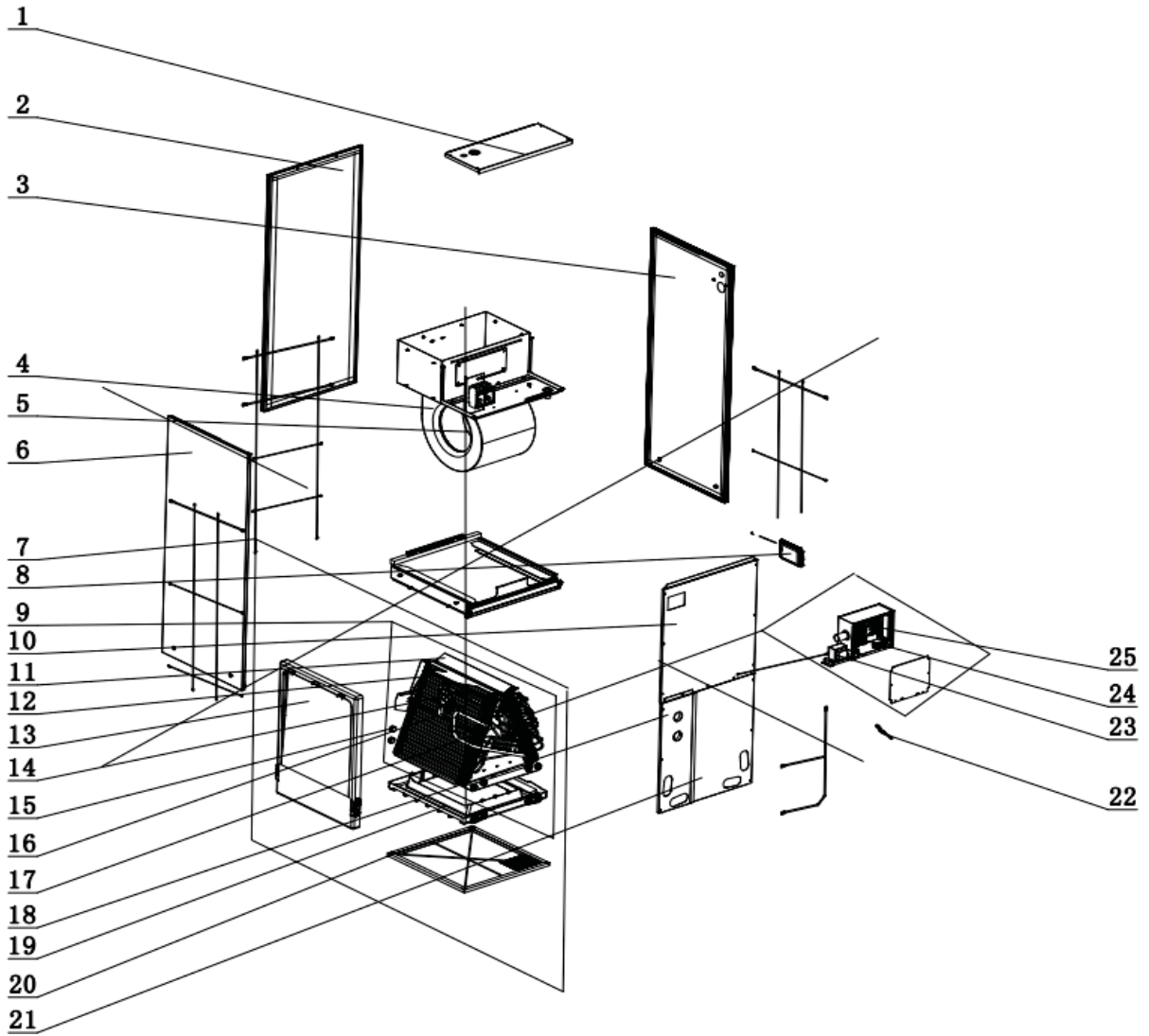


FLEXE36HP230V1AO



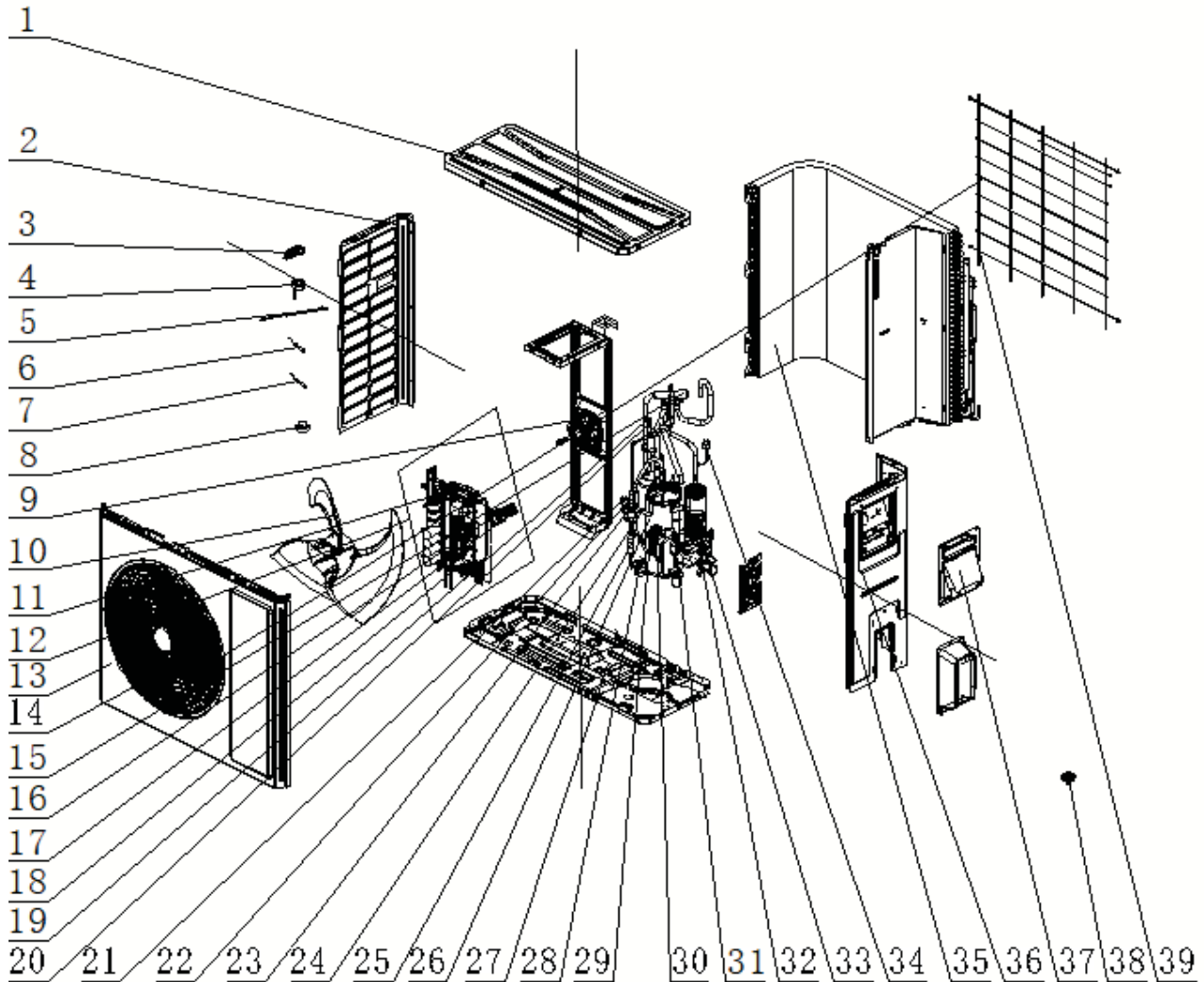
No.	Part Description	Qty.	Part No.
1	Top cover	1	012049060137P01
2	Condenser	1	011002062004
3	Left Side Plate	1	01255060389P01
4	Brushless DC Motor	1	15010400000102
5	Electric Expand Valve Fitting	1	07200206002311
6	Pressure Protect Switch	1	46020007
7	Electronic Expansion	1	43005017
8	Strainer	2	0721004501
9	Axial Flow Fan	1	103002060027
10	Front Grill	1	01600406001801
11	Cabinet	1	01202206001901P01
12	One Way Valve	1	071001060012
13	Cut-off valve 3/8(N)	1	070001060023
14	Cut-off Valve 3/4(N)	1	070001060033
15	Compressor and Fittings	1	009001060690
16	Chassis Sub-Assy	1	01700006071108P01
17	Compressor Gasket	3	009012000025
18	4-way Valve	1	4300008201
19	Drainage Joint	1	26113009
20	Silencer 1	1	07243050
21	Pressure Sensor	1	43004406002201
22	Electric Box Assy	1	100002074485
23	Main Board	1	300027062324
24	Radiator	1	430034060150
25	Terminal Board	1	42000100000102
26	Terminal Board	1	422000060106
27	Handle	1	01221006000601P01
28	4 Way Valve Coil	1	07201006000605
29	Temperature Sensor	1	390001921
30	Temperature Sensor	1	3900030815
31	Drainage hole Cap	3	06813401
32	Rear Grill	1	01600106008701
33	Front Panel Assy	1	000003060713
34	Top Cover Sub-Assy	1	000051060178
35	Right Side Panel Assy	1	000081060285
36	Right Side Panel	1	01205606043702P01

No.	Part Description	Qty.	Part No.
37	Handle	1	01221006000601
38	Motor Support	1	017012060369
39	4-Way Valve Assy	1	030152060867
40	Strainer	1	035021060018
41	Temp Sensor Sleaving	1	05212423
42	Valve Cover	1	20008706000801
43	Temperature Sensor	1	39000106007002
44	Sensor Insert	1	42020063
45	Jumper	1	4202021903
46	Compressor Wiring Harness	1	420400069139
47	Compressor Wiring Harness	1	420400069139
48	Relay	1	441001060032
49	Rivet Nut M5	1	70310165
50	Soundproofing	1	7501580201
51	Right Side Plate	1	01205606043702P01
52	Handle	1	01221006000601
53	Motor Support	1	017012060369
54	4-Way Valve Assy	1	030152060867
55	Strainer	1	035021060018
56	Valve Cover	1	20008706000801
57	Temperature Sensor	1	39000106007002
58	Jumper	1	4202021903
59	Rivet Nut M5	1	70310165
60	Soundproofing	1	7501580201



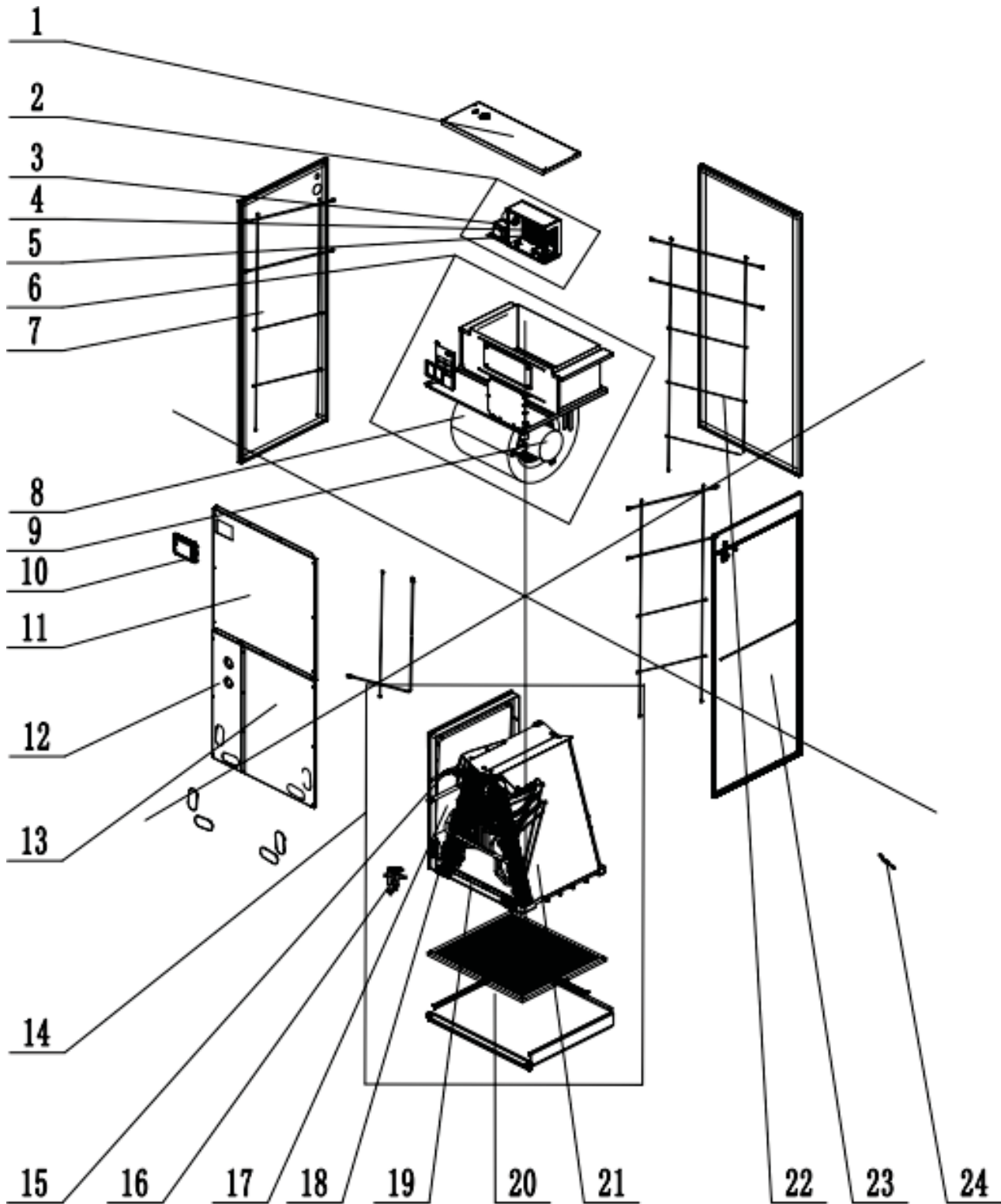
No.	Part Description	Qty.	Part No.
1	Top cover	1	012049060082P01
2	Rear Side Plate	1	0131220002001P
3	Left Side Plate Sub-Assy	1	017037060292
4	Centrifugal Fan Housing	1	1570220201
5	Brushless DC Motor	1	15010400001401
6	Right Side Plate Sub-Assy	1	000130060140
7	Water Tray Assy	1	000069060528
8	Evaporator Assy	1	011001062231
9	Top Cover Board Sub-Assy	1	017011060190
10	Evaporator Sub-Assy	1	01000106029101
11	Evaporator Sub-Assy	1	01000106029201
12	Water Tray	1	2690220501
13	Strainer	2	035021060019
14	Choke Plug	8	76718209
15	Temp Sensor Sleaving	1	05212423
16	Electric Box Assy	1	100002074399
17	Cover Plate	1	012035061467P01
18	Water Tray	1	2690220401
19	Filter Sub-Assy	1	111001060160
20	Bottom Cover Plate	1	01262200018P01
21	Tube sensor	1	39000286
22	Transformer	1	43110286
23	Main Board	1	300002062756
24	Terminal Board	1	4201025503
NS	Left Side Plate	1	0131220001601P
NS	Right Side Plate	1	01205606020501P
NS	Rear Side Plate Sub-Assy	1	017051060148
NS	Rear Side Plate Sub-Assy	1	017051060179P
NS	Rubber ring (wire-passing)	1	76612805
NS	Screw M4X16	1	70111006
NS	Fan fixing plate assembly 1	1	01842232
NS	Screw M4X16	1	70111006
NS	Screw M4X16	1	70111006
NS	Electrical Heater Baffle Plate	1	01352200002

No.	Part Description	Qty.	Part No.
NS	Screw M4X16	1	70111006
NS	Gas Collecting Pipe Sub-Assy	1	030005060844
NS	Rubber Band	1	7661280504
NS	Rubber Band	1	76515202
NS	Cable Clamp	1	71000151
NS	Top Cover Sub-Assy	1	000051060176
NS	Cover Plate Sub-Assy	1	011657060451
NS	Cover Plate	1	012035061467
NS	Cable Cross Loop	1	76514801
NS	Cover Plate Sub-Assy	1	011657060445
NS	Bottom Cover Plate	1	0126220001801
NS	Cover of Switch	1	200088060004
NS	Plastic Cover	1	26902209
NS	insulating board	1	75142201
NS	Packaging Foam	1	110007060321
NS	Packaging Foam	1	110007060322
NS	Side Plate	1	012010060972
NS	Centrifugal fan Assy	1	000052060415
NS	Thermal Expansion Valve	1	071017060032
NS	Relay	1	44020452
NS	Jumper	1	4202021902
NS	Insulation Gasket	1	70410503
NS	Wire Clamp	1	71010103
NS	Sensor Insert	1	42020063



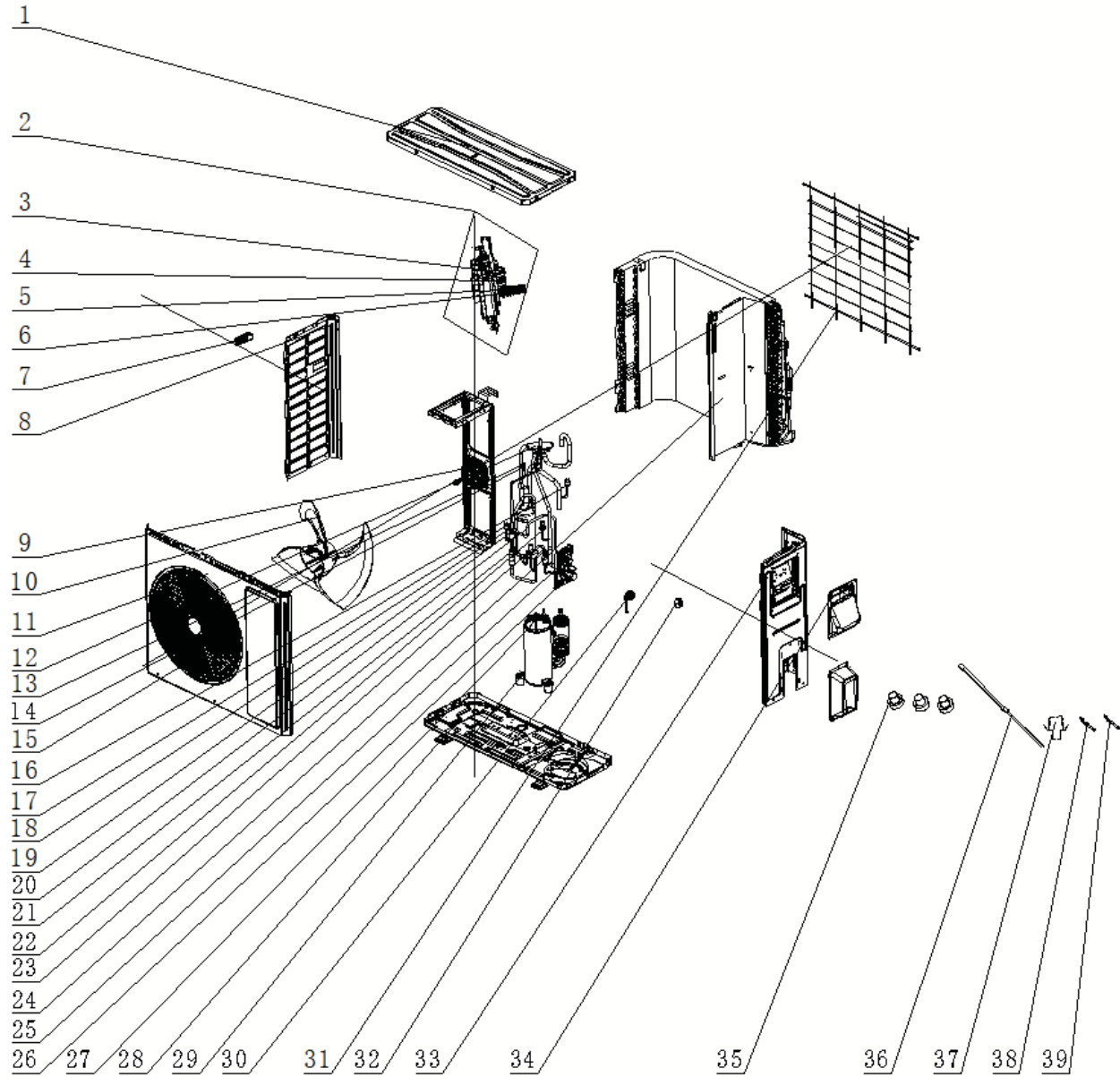
No.	Part Description	Qty.	Part No.
1	Top Cover Sub-Assy	1	000051060177
2	Left Side Plate	1	012055060419P02
3	Handle	1	2623305302
4	4 Way Valve Coil	1	07201006000604
5	Electrical Heater	1	7651873267
6	Temperature Sensor	1	390000598
7	Temperature Sensor	1	390002060140
8	Drainage hole Cap	3	06813401
9	Brushless DC Motor	1	150104060118
10	Axial Flow Fan	1	10434100005
11	Filter Board	1	300020060108
12	Electric Box Assy	1	100002074474
13	Cabinet	1	01202206002101P01
14	Front Grill	1	01600406001501
15	4-way Valve	1	4300008201
16	Terminal Board	1	42200006001201
17	Terminal Board	1	422000060106
18	Main Board	1	300027062500
19	fusible plug	1	035222000004
20	Joint	1	06652200001
21	Pressure Protect Switch	1	4602000603
22	Silencer	1	07245007
23	Strainer	2	0721004501
24	Gas-liquid Separator	1	03502706001901
25	One Way Valve	1	071001060012
26	Compressor and Fittings	1	009001060690
27	Chassis Sub-Assy	1	017000060772P01
28	Compressor Gasket	3	009012000025
29	Electric Expand Valve Fitting	1	07200206002311
30	Electronic Expansion Valve	1	43005017
31	Pressure Sensor	1	43004406002203
32	Cut-off Valve 3/4(N)	1	070001060042
33	Cut-off valve 3/8(N)	1	070001060023
34	Pressure Protect Switch	1	46020007
35	Condenser Assy	1	000100060582
36	Right Side Plate	1	01205606046003P
37	Handle	1	01221006000601P01

No.	Part Description	Qty.	Part No.
39	Rear Grill	1	01600106010101
39	Rear Grill	1	01600106010101
NS	Front Panel	1	000003060714
NS	Right Side Panel Assy	1	000081060287
NS	Condenser Assy	1	01100206183201
NS	Chassis	1	012008060135
NS	Top cover	1	012049060148P01
NS	Handle	1	01221006000602P
NS	Motor Support	1	017012060353
NS	Temp Sensor Clamp	1	02145007
NS	4-Way Valve Assy	1	030152060856
NS	Strainer	1	035021060018
NS	Current Divider	1	035032060012
NS	Temp Sensor Sleeving	1	05212423
NS	Valve Cover	1	20008706000801
NS	Jumper 2	1	30000300000402
NS	Temperature Sensor	1	390001060070
NS	Sensor Insert	1	42020063
NS	Jumper 1	1	4202021904
NS	Compressor Wiring Harness	1	420400069531
NS	Compressor Wiring Harness	1	420400069531
NS	Relay	1	44020449
NS	Relay	1	46020006
NS	Rivet Nut M5	1	70310165
NS	Cable Cross Loop	1	76512008
NS	Capillary tube	1	81020167
NS	Right Side Panel Assy	1	000081060287
NS	Condenser Assy	1	01100206183201
NS	Chassis	1	012008060135
NS	Top cover	1	012049060148P01
NS	Temp Sensor Clamp	1	02145007
NS	4-Way Valve Assy	1	030152060856
NS	Strainer	1	035021060018
NS	Valve Cover	1	20008706000801
NS	Jumper 2	1	30000300000402
NS	Temperature Sensor	1	390001060070
NS	Relay	1	44020449
NS	Rivet Nut M5	1	70310165



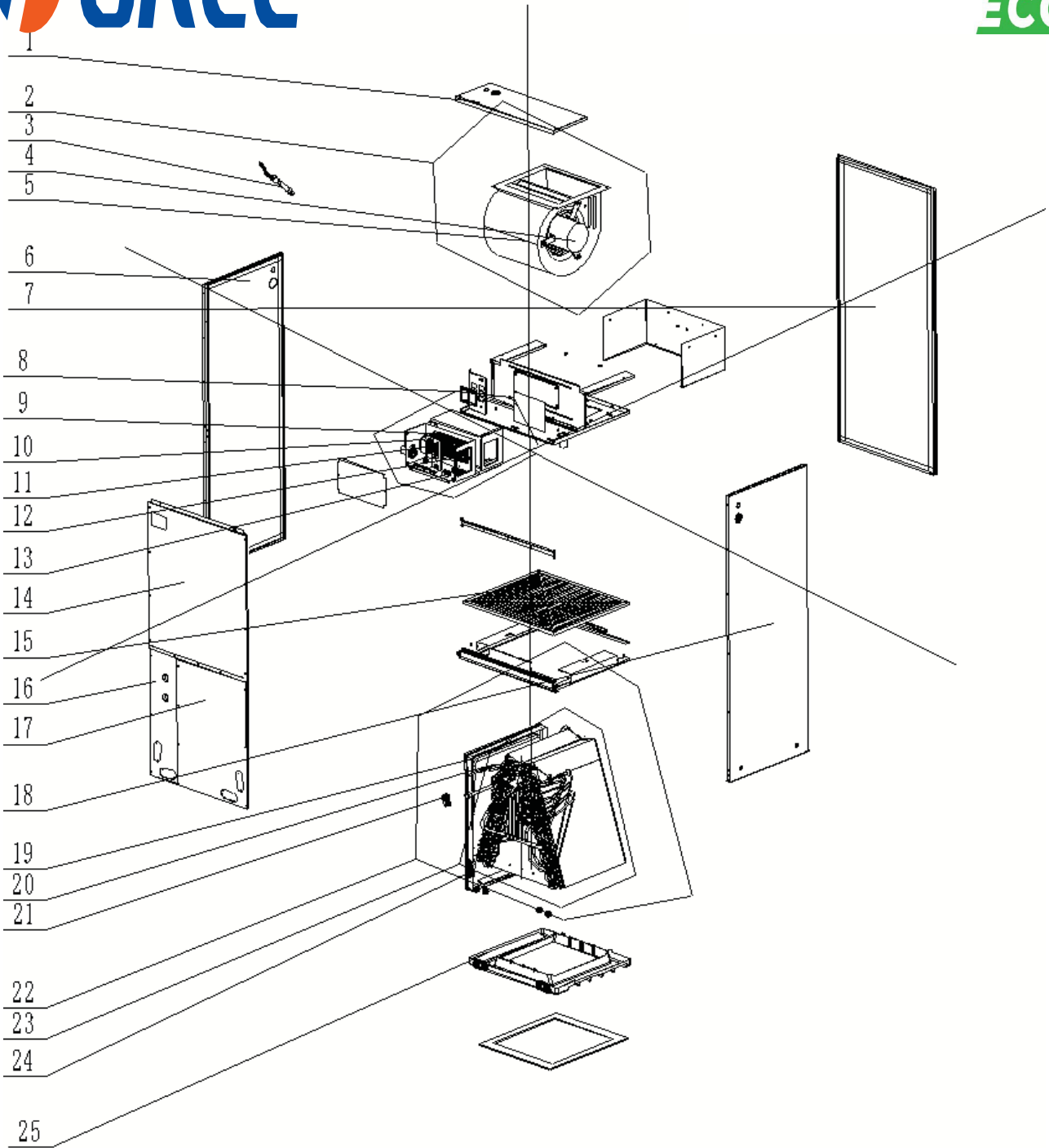
No.	Part Description	Qty.	Part No.
1	Top Cover Sub-Assy	1	000051060180
2	Electric Box Assy	1	100002074399
3	Transformer	1	43110286
4	Main Board	1	300002062756
5	Terminal Board	1	4201025503
6	Centrifugal Fan Assy	1	000052060413
7	Left Side Plate Sub-Assy	1	017037060297
8	Centrifugal Fan Housing	1	1570220301
9	Brushless DC Motor	1	15010400001301
10	Top Cover Board Sub-Assy	1	017011060193
11	Cover Plate Sub-Assy	1	011657060446
12	Cover Plate Sub-Assy	1	011657060448
13	Water Tray Assy	1	000069060537
14	Strainer	2	0721200102
15	Thermal Expansion Valve	1	071017060028
16	Water Tray	1	2690220501
17	Choke Plug	8	76718209
18	Water Tray	1	2690220601
19	Filter Sub-Assy	1	111001060188
20	Evaporator Assy	1	011001062264
21	Rear Side Plate Sub-Assy	1	017051060149
22	Right Side Plate Sub-Assy	1	000130060143
23	Tube sensor	1	39000286
NS	Left Side Plate	1	012055060496P
NS	Right Side Plate	1	012056060541P
NS	Rubber ring (wire-passing)	1	76612805
NS	Screw M4X16	10	70111006
NS	Fan fixing plate assembly 1	2	01842232
NS	Air Scroll	1	012277060111
NS	Electrical Heater Baffle Plate	1	01352200002
NS	Gas Collecting Pipe Sub-Assy	1	030005060845
NS	Evaporator Sub-Assy	2	010001060326
NS	Temp Sensor Sleeving	1	05212423

No.	Part Description	Qty.	Part No.
NS	Jumper	1	4202021903
NS	Relay	1	44020452
NS	Rubber Band	1	7661280504
NS	Rubber Band	2	76515202
NS	Cable Clamp	3	71000151
NS	Sensor Insert	1	42020063
NS	Insulation Gasket	1	70410503
NS	Wire Clamp	1	71010103
NS	Lower Cover Plate Sub-Assy	1	017010060088P
NS	Cable Cross Loop	2	76514801
NS	Top Cover Sub-Assy	1	000051060202
NS	Top Cover Sub-Assy	1	000051060203
NS	Top Cover Sub-Assy	1	017069060119P
NS	Top Cover Board Sub-Assy	1	017011060231P
NS	Cover of Switch	1	200088060004
NS	Plastic Cover	4	26902209
NS	insulating board	1	75142201
NS	Packaging Foam	1	110007060321
NS	Packaging Foam	1	110007060360



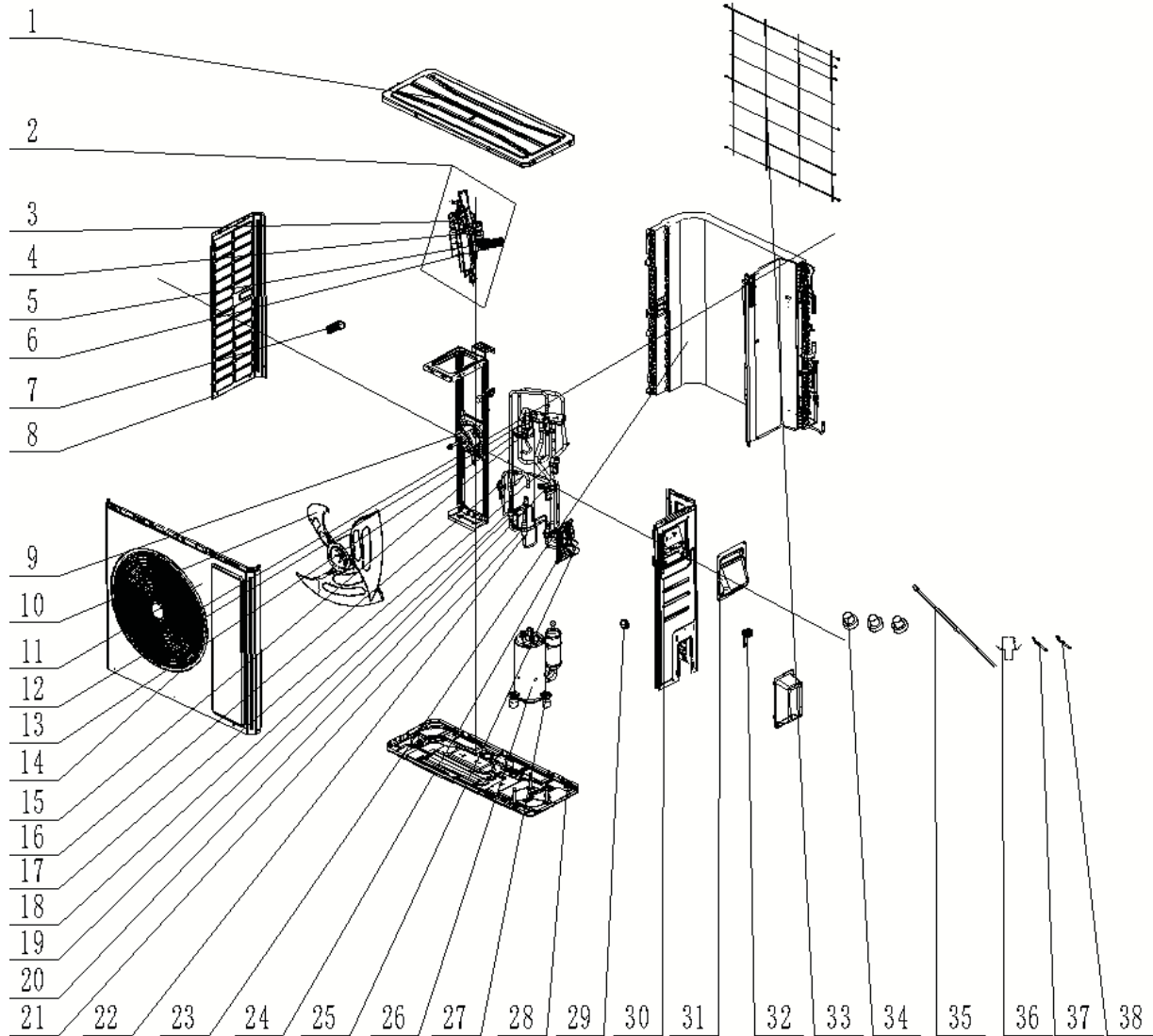
No.	Part Description	Qty.	Part No.
1	Top Cover Sub-Assy	1	000051060177
2	Electric Box Assy	1	100002075617
3	Main Board	1	300027062499
4	Filter Board	1	300020060108
5	Terminal Board	1	42200006001201
6	Terminal Board	1	422000060106
7	Handle	1	2623305302
8	Left Side Plate	1	012055060419P02
9	Brushless DC Motor	1	150104060118
10	Axial Flow Fan	1	10434100005
11	Cabinet	1	01202206002101P01
12	4-way Valve	1	4300008201
13	Joint	1	06652200001
14	fusible plug	1	035222000004
15	Front Grill	1	01600406001501
16	Pressure Protect Switch	1	46020007
17	Pressure Protect Switch	1	4602000603
18	Silencer	1	07245007
19	Strainer	2	0721004501
20	Gas-liquid Separator	1	03502706001901
21	One Way Valve	1	071001060012
22	Pressure Sensor	1	43004406002203
23	Electronic Expansion Valve	1	43005017
24	Condenser Assy	1	000100060577
25	Cut-off valve 3/8(N)	1	070001060023
26	Cut-off Valve 3/4(N)	1	070001060042
27	Compressor and Fittings	1	009001060690
28	Chassis Sub-Assy	1	01700006077202P01
29	Compressor Gasket	3	009012000025
30	Electric Expand Valve Fitting	1	07200206002311
31	Rear Grill	1	01600106010101
31	Top Cover Sub-Assy	1	01600106010101
33	Right Side Plate	1	01205606046003P
34	Handle	1	01221006000601P01
35	Drainage hole Cap	3	06813401
36	Electrical Heater	1	7651873267
37	Drainage Joint	1	26113009

No.	Part Description	Qty.	Part No.
38	Temperature Sensor	1	390000598
39	Temperature Sensor	1	390002060140
32	4 Way Valve Coil	1	07201006000604
NS	Front Panel Assy	1	000003060714
NS	Right Side Plate Assy	1	000081060287
NS	Condenser Assy	1	011002062006
NS	Chassis	1	012008060135
NS	Top cover	1	012049060148P01
NS	Handle	1	01221006000602P
NS	Motor Support	1	017012060353
NS	Temp Sensor Clamp	1	02145007
NS	4-Way Valve Assy	1	030152060856
NS	Strainer	1	035021060018
NS	Current Divider	1	035032060023
NS	Temp Sensor Sleeving	1	05212423
NS	Packaging Foam	1	110007060696
NS	Packaging Foam	1	110007060697
NS	Heat Insulator	1	12128748
NS	Valve Cover	1	20008706000801
NS	Jumper	1	30000300000403
NS	Temperature Sensor	1	390001060070
NS	Sensor Insert	1	42020063
NS	Jumper	1	4202021905
NS	Compressor Wiring Harness	1	420400069531
NS	Compressor Wiring Harness	1	420400069531
NS	Insulation Gasket	1	000003060714
NS	Lower Cover Plate Sub-Assy	1	000081060287
NS	Cable Cross Loop	1	011002062006
NS	Top Cover Sub-Assy	1	012008060135
NS	Top Cover Sub-Assy	1	012049060148P01
NS	Top Cover Board Sub-Assy	1	02145007
NS	Cover of Switch	1	030152060856
NS	Plastic Cover	1	035021060018
NS	insulating board	1	035032060023
NS	Packaging Foam	1	110007060696
NS	Packaging Foam	1	110007060697
NS	Valve Cover	1	20008706000801
NS	Jumper	1	30000300000403
NS	Temperature Sensor	1	390001060070



No.	Part Description	Qty.	Part No.
1	Cover Plate Sub-Assy	1	011657060446
3	Tube sensor	1	39000286
6	Left Side Plate Sub-Assy	1	017037060297
7	Rear Side Plate Sub-Assy	1	017051060149
8	Electric Box Assy	1	100002074399
12	Main Board	1	300002062756
13	Terminal Board	1	4201025503
14	Top Cover Board Sub-Assy	1	017011060193
16	Cover Plate	1	012035061466P01
17	Bottom Cover Plate	1	01262200023P01
18	Right Side Plate Sub-Assy	1	000130060143
22	Water Tray Assy	1	000069060537
23	Evaporator Assy	1	011001062264
NS	Left Side Plate	1	012055060496P
NS	Right Side Plate	1	012056060541P
NS	Rubber ring (wire-passing)	1	76612805
NS	Screw M4X16	2	70111006
NS	Fan fixing plate assembly 1	1	01842232
NS	Screw M4X16	2	70111006
NS	Screw M4X16	2	70111006
NS	Electrical Heater Baffle Plate	1	01352200002
NS	Screw M4X16	2	70111006
NS	Gas Collecting Pipe Sub-Assy	1	030005060845
NS	Evaporator Sub-Assy	2	010001060326
NS	Jumper	1	4202021903
NS	Rubber Band	1	7661280504
NS	Rubber Band	1	76515202
NS	Cable Clamp	3	71000151
NS	Cover Plate Sub-Assy	1	011657060446
NS	Lower Cover Plate Sub-Assy	1	017010060088P
NS	Cable Cross Loop	2	76514801
NS	Cover Plate Sub-Assy	1	011657060446
NS	Top Cover Sub-Assy	1	000051060202
NS	Top Cover Sub-Assy	1	000051060202
NS	Top Cover Sub-Assy	1	000051060180
NS	Top Cover Sub-Assy	1	017069060119P
NS	Top Cover Board Sub-Assy	1	017011060231P
NS	Cover of Switch	1	200088060004
NS	Plastic Cover	4	26902209
NS	insulating board	1	75142201

No.	Part Description	Qty.	Part No.
NS	Packaging Foam	1	110007060321
NS	Packaging Foam	1	110007060360
NS	Brushless DC Motor	1	15010400001301
NS	Air Scroll	1	012277060111
NS	Centrifugal fan Assy	1	000052060413
NS	Centrifugal Fan Housing	1	1570220301
NS	Water Tray	1	2690220601
NS	Strainer	1	0721200102
NS	Thermal Expansion Valve	1	071017060028
NS	Strainer	1	0721200102
NS	Temp Sensor Sleeving	1	05212423
NS	Water Tray	1	2690220501
NS	Choke Plug	8	76718209
NS	Relay	1	44020452
NS	Terminal Board	1	4201025503
NS	Transformer	1	43110286
NS	Sensor Insert	1	42020063
NS	Insulation Gasket	1	70410503
NS	Wire Clamp	1	71010103
NS	Filter Sub-Assy	1	111001060188





FLEXE60HP230V1AO



No.	Part Description	Qty.	Part No.
1	Left Side Plate	1	012055060508P01
2	Cabinet Assy	1	000006060199
3	Top Cover Sub-Assy	1	000051060194
4	Right Side Plate Assy	1	000081060293
5	Compressor and Fittings	1	009001060377ST
6	Compressor Gasket	1	009012000013
7	Condenser Assy	1	011002062127
8	Chassis	1	012008060149
9	Cabinet	1	012022060027P
10	Top cover	1	012049060186P01
11	Right Side Plate	1	012056060572P
12	Handle	1	01221006000602P
13	Rear Grill	1	01600106011401
14	Front Grill	1	016004060019
15	Chassis Sub-Assy	1	017000060865P
16	Motor Support Sub-Assy	1	017012060413
17	Temperature Sensor clamp	1	02145007
18	Strainer	1	035021060018
19	Gas-liquid Separator	1	035027060022
20	fusible plug	1	035222000004
21	Temp Sensor Sleeving	1	05212423
22	Joint	1	06652200001
23	Drainage hole Cap	1	06813401
24	Cut-off valve 3/8(N)	1	070001060023
25	Cut-off Valve 3/4(N)	1	070001060042
26	One Way Valve	1	071001060012
27	Electric Expand Valve Fitting	1	07200206002311
28	4 Way Valve Coil	1	07201006000604
29	Strainer	1	0721004501
30	Strainer	1	0721212101
31	Electric Box Assy	1	100002075926
32	Axial Flow Fan	1	103002060028
33	Packaging Foam	1	110007060866
34	Brushless DC Motor	1	150104060133
35	Valve Cover	1	20008706000801
36	Chassis Assy	1	209058060361
37	Drainage Joint	1	26113009
38	Handle	1	2623305302
39	Jumper	1	30000300000410

No.	Part Description	Qty.	Part No.
40	Filter Board	1	300020060108
41	Main Board	1	300027062499
42	Temperature Sensor	1	390000592
43	Temperature Sensor	1	39000106007001
44	Temperature Sensor	1	3900800004906G
45	Sensor Insert	1	42020063
46	Jumper	1	4202021906
47	Compressor Wiring Harness	1	420400066014
48	Compressor Wiring Harness	1	420400069883
49	Compressor Wiring Harness	1	420400069883
50	Terminal Board	#N/A	42200006001201
51	Terminal Board	#N/A	422000060106
52	4-way Valve	1	43000338
53	Pressure Sensor	1	430044060022
54	Electronic Expansion Valve	1	43005017
55	Relay	1	44020449
56	Pressure Protect Switch	1	46020006
57	Pressure Protect Switch	1	4602000603
58	Pressure Protect Switch	1	46020007
59	Nut with Washer	1	70310014
60	Rivet Nut M5	1	70310165
61	Cable Cross Loop	1	76512008
62	Electrical Heater (Compressor)	1	7651521238
63	Capillary tube	1	81020167
64	Cabinet Assy	1	000006060199
65	Right Side Plate Assy	1	000081060293
66	Chassis	1	012008060149
67	Top cover	1	012049060186P01
68	Motor Support Sub-Assy	1	017012060413
69	Temperature Sensor clamp	1	02145007
70	Strainer	1	035021060018
71	Packaging Foam	1	110007060866
72	Valve Cover	1	20008706000801
73	Chassis Assy	1	209058060361
74	Jumper	1	30000300000410
75	Temperature Sensor	1	39000106007001
76	Relay	1	44020449
77	Nut with Washer	1	70310014
78	Rivet Nut M5	1	70310165

CAT NO: GREE_FLEXX_PARTS_01262024