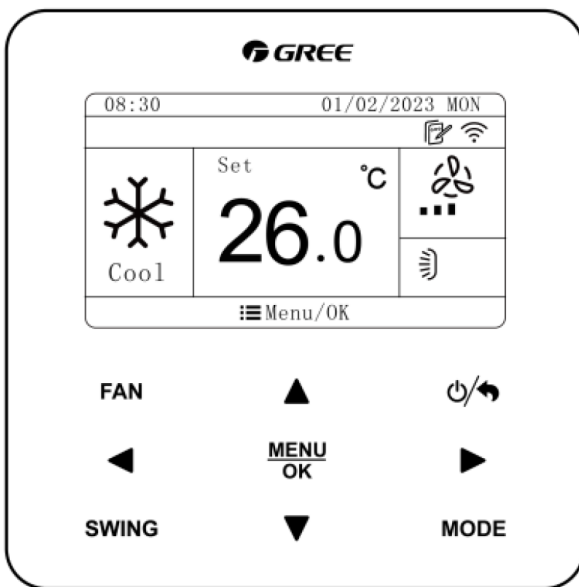
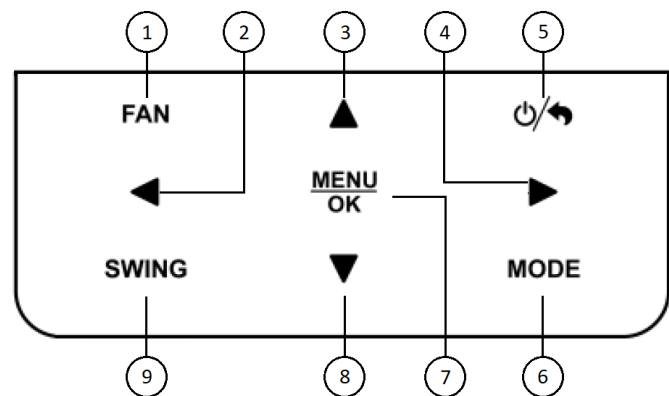


### Wired Controller XE7C-24/HC

Optional wired controller with 7-day programmable function, with up to four events per day. Enables full control of GMV indoor units, providing access to a full suite of customer configuration options and live troubleshooting data.



Outline of wired controller



Button Layout

No.	Name	Function
1	Fan	Switch fan speed: Auto, Low, Med. Low, Medium, Med. High and High
2	Left	Turn page, Move the cursor, Set and view parameters
4	Right	
3	Up	Set the operating temperature of indoor unit, Move the cursor, Set and view parameters
8	Down	
5	On/Off/Return	Turn on/off the unit and return to the previous page
6	Mode	Switch the operating mode: Auto, Cool, Dry, Fan, & Heat.
7	Menu/ok	Select mode and confirm parameters
9	Swing/Control	Configure the set position and swing motion of the louver(s)

Job Name:		Date:	
System Reference No.:			
Engineer Signature:			

## Outline and Physical Dimensions of XE7C-24/HC

Unit: mm(inch)

