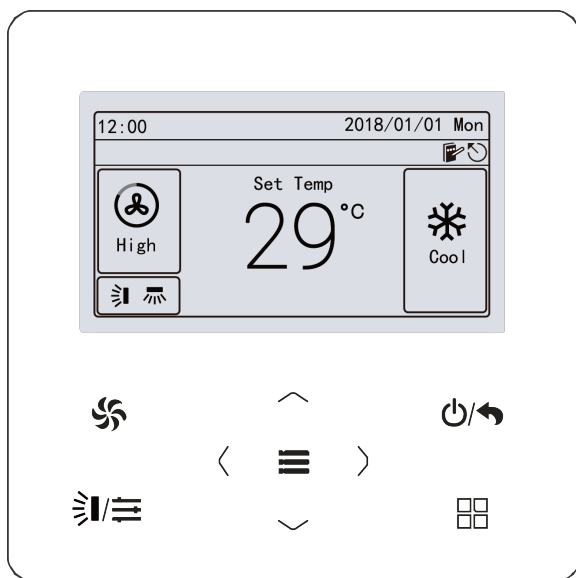
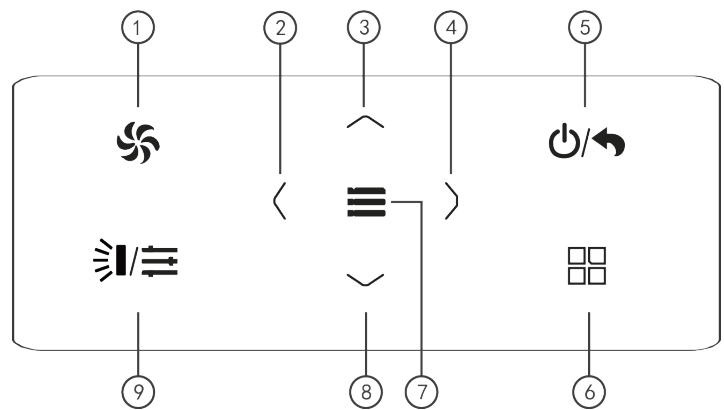


Wired Controller XE70-33/H

This wired remote controller is intended for GMV(VRF) units. Optional wired controller with 7-day programmable function, can set max. 4 weekly programme simultaneously.



Outline of wired controller



Silkscreen of buttons

No.	Name	Function
1	Fan	Switch fan speed: Auto, Low, Med. Low, Medium, Med. High and High
2	Left	Turn page, Move the cursor, Set and view parameters
4	Right	
3	Up	Set the operating temperature of indoor unit, Move the cursor, Set and view parameters
8	Down	
5	On/Off/Return	Turn on/off the unit and return to the previous page
6	Mode	Switch the operating mode: Auto, Cool, Dry, Fan, Heat, Floor, 3D Heat, etc.
7	Menu/ok	Select mode and confirm parameters
9	Swing/Control	Set the swing status of air conditioner or control mode of ERV+DX Coil system

Job Name:		Date:	
System Reference No.:			
Engineer Signature:			

Outline and Physical Dimensions of XE70-33/H.

Unit: mm(inch)

