

Submittal Data: RIO09HP230V1B 9,000 BTU/H Wall Mounted Heat- Pump System

Job Name Location Date

Purchaser Engineer

Submitted To For Reference Approval Construction

Unit Designation Schedule No.

- GENERAL FEATURES**
- Compact and Quiet Design
 - High Efficiency - 16 SEER
 - DC Inverter Technology
 - Wireless Remote with LCD Display
 - Low Ambient Cooling
 - Comfortable Sleep Mode
 - Intelligent Defrost
 - 5 year Limited Parts Warranty
 - 7 year Limited Compressor Warranty



System Ratings

Cooling	
Rated Capacity	9,000 BTU/H
Capacity Range	3,800-11,500 BTU/H
Power Input (Max)	1,220 W
SEER	16
EER	10.2

Heating at 47° F	
Rated Capacity	9,000 BTU/H
Capacity Range	3,300-11,500 BTU/H
Power Input (Max)	980 W
HSPF	8.5
COP	3.4

Heating at 17° F	
Rated Capacity	5,300 BTU/H
Capacity (Max)	7,401 BTU/H
Power Input (Max)	806 W
COP	2.3

Operating Range		
Cooling	(Max)	109°F (43 C)
	(Min)	5°F (-15 C)
Heating	(Max)	75°F (24 C)
	(Min)	5°F (-15 C)

Power Supply	
Normal Operational Voltage	208/230 V, 1 Phase, 60 Hz
Voltage Range	187 - 253 V
Main Power Wire Size	14-2 AWG
Interconnecting Cable Wire Size	14-4 AWG
MCA	10.0 A
MOCP/Breaker Size	15 A

Indoor Unit Data

Fan Motor	Output Power	15 W
	FLA	0.2 A

Airflow		
Cooling Wet (Lo/Hi)		141/330 CFM
Heating Dry (Lo/Hi)		198/340 CFM

Sound Pressure Level		
Cooling (Lo/Hi)		26/43 db(A)
Heating (Lo/Hi)		26/43 db(A)

Dimensions & Weights		
Unit Dimensions (LxHxD)		30.3 x 11.1 x 7.9-in
Weight (Net/Shipping)		19/25 LBS

Outdoor Unit Data

Compressor DC Inverter Driven Rotary

Refrigerant Type R410A

Fan Motor	Output Power	21 W
	FLA	0.3 A

Sound Pressure		
Cooling		49 db(A)
Heating		49 db(A)

Dimensions & Weights		
Unit Dimensions (LxHxD)		28.0 x 21.7 x 12.5 -in
Weight (Net/Shipping)		64/73 LBS

Refrigerant Piping Data		
Gas Pipe Size (OD)		3/8-in
Liquid Pipe Size (OD)		1/4-in
Connection Method		Flared
MAX Refrigerant Pipe Length		50-ft
MIN Refrigerant Pipe Length		10-ft
MAX Refrigerant Pipe Height Difference		33-ft



Submittal Data: RIO09HP230V1B

9,000 BTU/H Wall Mounted Heat- Pump System

EXTENDED RATINGS

COOLING PERFORMANCE

Outdoor Ambient Temperature (DB)	Indoor Entering Air Temperatures (DB) 50% RH					
	62 F		67 F		72 F	
	TC	SHC	TC	SHC	TC	SHC
25 F	11,073	8,222	11,968	8,665	12,794	9,211
35 F	10,821	8,212	11,524	8,412	12,083	8,736
45 F	10,286	7,900	11,000	8,162	11,786	8,544
55 F	9,903	7,665	10,560	7,920	11,320	8,264
65 F	9,565	7,432	10,525	7,988	11,160	8,158
75 F	9,189	7,186	9,900	7,613	10,648	7,858
85 F	8,820	7,003	9,450	7,295	10,260	7,664
95 F	8,370	6,688	9,000	7,191	9,846	7,394
105 F	7,920	6,431	8,530	6,807	9,270	7,119
115 F	7,469	6,155	7,919	6,415	8,459	6,624

HEATING PERFORMANCE

Outdoor Ambient Temperature (DB) (80% RH)	Indoor Entering Air Temperatures (DB)					
	65 F		70 F		75 F	
	TC	SHC	TC	SHC	TC	SHC
5 F	7,435	7,435	7,017	7,017	6,845	6,845
15 F	7,947	7,947	7,250	7,250	7,206	7,206
25 F	8,432	8,432	8,003	8,003	7,548	7,548
35 F	8,903	8,903	8,240	8,240	7,894	7,894
45 F	9,368	9,368	9,050	9,050	8,502	8,502
55 F	9,380	9,380	9,109	9,109	8,710	8,710
65 F	9,336	9,336	9,199	9,199	8,916	8,916

TC- Total Capacity (BtuH)

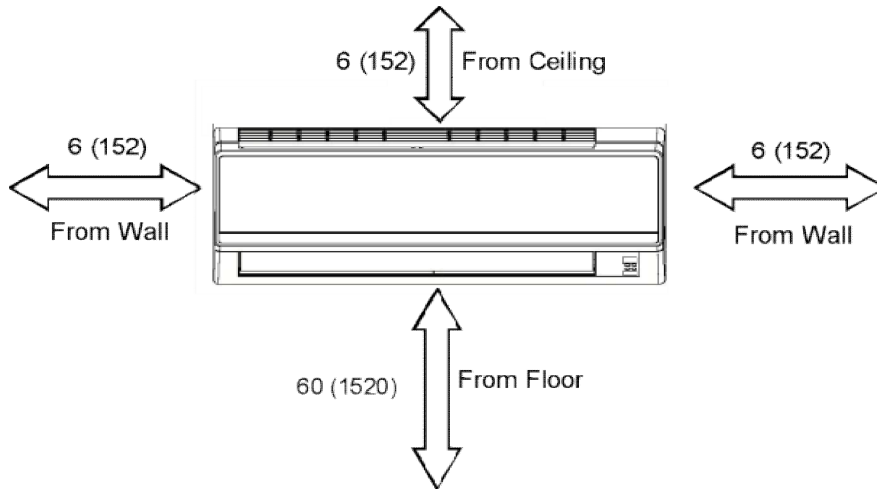
SHC- Sensible Capacity (BtuH)

Submittal Data: RIO09HP230V1B

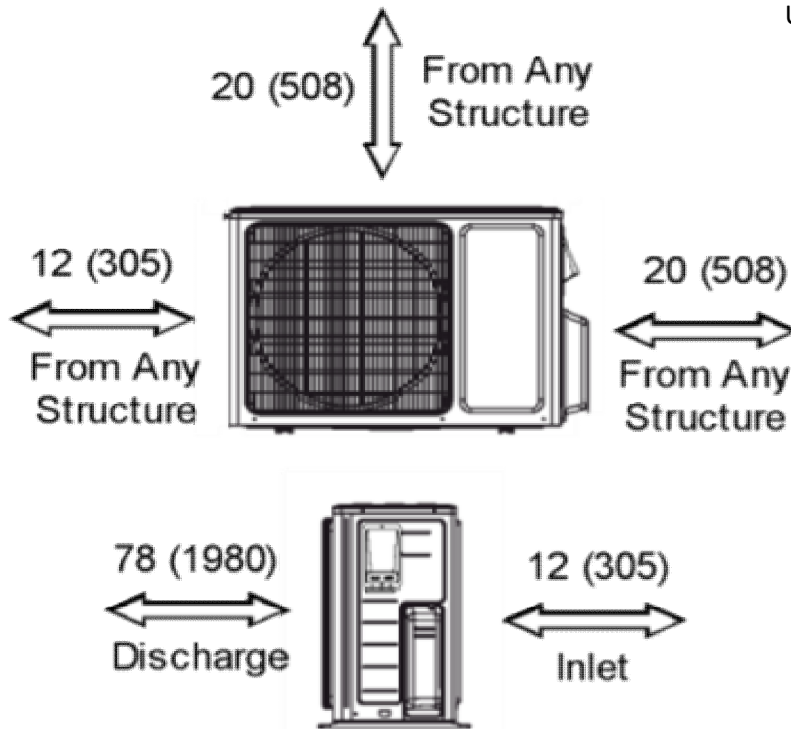
9,000 BTU/H Wall Mounted Heat- Pump System

MINIMUM SPACING REQUIREMENTS

Units: inch (mm)



Units: inch (mm)

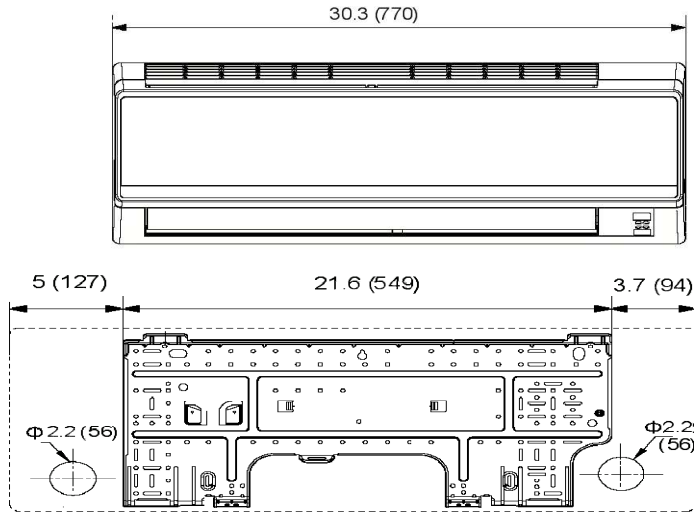


DIMENSIONAL SPECIFICATIONS

RIO09HP230V1B

INDOOR UNIT DIMENSIONS

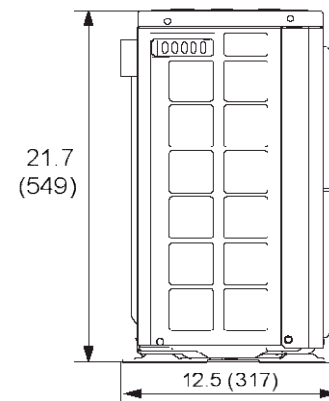
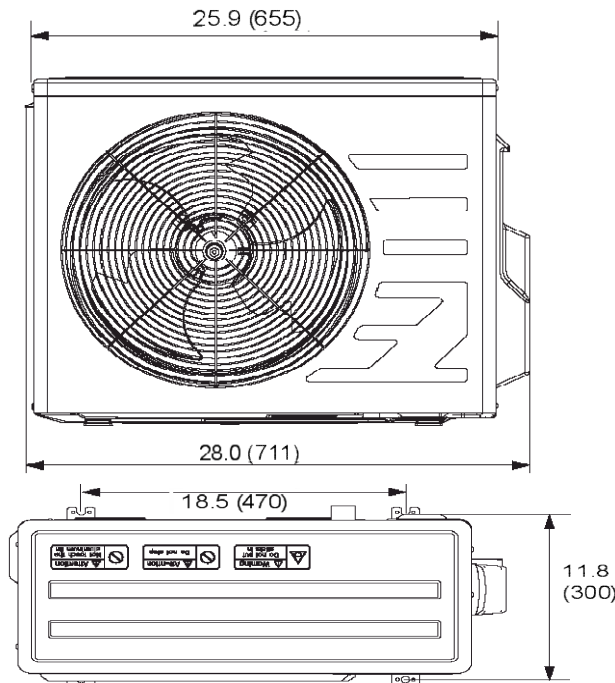
Units: inch (mm)



Liquid Line Valve	1/4-in OD Flared
Gas Line Valve	3/8-in OD Flared
Drain Connector	5/8-in OD

OUTDOOR UNIT DIMENSIONS

Units: inch (mm)



Liquid Line Valve	1/4-in OD Flared
Gas Line Valve	3/8-in OD Flared

Notes:

1. Recommended Interconnecting Cable Type Stranded Bare Copper Conductors THHN 600V Wire
2. Power wiring cable size must comply with applicable national and local codes.
3. Test conditions are based on AHRI 210/240.



www.greecomfort.com

Specifications are subject to change without notice. Manufacturer reserves the right to discontinue or modify specifications or designs without notice or without incurring obligations. All rights reserved.