

Submittal Data: RIO24HP230V1A 24,000 BTU/H Wall Mounted Heat- Pump System

Job Name _____ Location _____ Date _____

Purchaser _____ Engineer _____

Submitted To _____ For Reference Approval Construction

Unit Designation _____ Schedule No. _____

- GENERAL FEATURES**
- Compact and Quiet Design
 - High Efficiency - 16 SEER
 - DC Inverter Technology
 - Wireless Remote with LCD Display
 - Low Ambient Cooling
 - Comfortable Sleep Mode
 - Intelligent Defrost
 - 5 year Limited Parts Warranty
 - 7 year Limited Compressor Warranty



System Ratings

Cooling	
Rated Capacity	22,000 BTU/H
Capacity Range	6,400-24,000 BTU/H
Power Input (Max)	2,550 W
SEER	16
EER	10

Heating at 47° F	
Rated Capacity	24,200 BTU/H
Capacity Range	4,100-26,600 BTU/H
Power Input (Max)	2,800 W
HSPF	8.5
COP	3.0

Heating at 17° F	
Rated Capacity	18,600 BTU/H
Capacity (Max)	19,913 BTU/H
Power Input (Max)	2,096 W
COP	2.1

Operating Range		
Cooling	(Max)	109°F (43 C)
	(Min)	5°F (-15 C)
Heating	(Max)	75°F (24 C)
	(Min)	19°F (-7 C)

Power Supply	
Normal Operational Voltage	208/230 V, 1 Phase, 60 Hz
Voltage Range	187 - 253 V
Main Power Wire Size	10-2 AWG
Interconnecting Cable Wire Size	14-4 AWG
MCA	17.0 A
MOCP/Breaker Size	25 A

Indoor Unit Data

Fan Motor	Output Power	35 W
	FLA	0.45 A

Airflow		
Cooling	Wet (Lo/Hi)	206/589 CFM
	Dry (Lo/Hi)	374/607 CFM

Sound Pressure Level		
Cooling	(Lo/Hi)	34/49 db(A)
	(Lo/Hi)	34/49 db(A)

Dimensions & Weights		
Unit Dimensions (LxHxD)	39.7 x 12.4 x 8.7-in	
Weight (Net/Shipping)	33/44 LBS	

Outdoor Unit Data

Compressor DC Inverter Driven Rotary

Refrigerant Type R410A

Fan Motor	Output Power	60 W
	FLA	0.6 A

Sound Pressure		
Cooling	(Lo/Hi)	53 db(A)
	(Lo/Hi)	53 db(A)

Dimensions & Weights		
Unit Dimensions (LxHxD)	37.6 x 27.6 x 15.6 -in	
Weight (Net/Shipping)	115/126 LBS	

Refrigerant Piping Data		
Gas Pipe Size (OD)	1/2-in	
Liquid Pipe Size (OD)	1/4-in	
Connection Method	Flared	
MAX Refrigerant Pipe Length	82-ft	
MIN Refrigerant Pipe Length	10-ft	
MAX Refrigerant Pipe Height Difference	33-ft	



EXTENDED RATINGS

COOLING PERFORMANCE

Outdoor Ambient Temperature (DB)	Indoor Entering Air Temperatures (DB) 50% RH					
	62 F		67 F		72 F	
	TC	SHC	TC	SHC	TC	SHC
25 F	27,066	20,097	29,255	21,181	31,273	22,516
35 F	26,450	20,073	28,169	20,564	29,537	21,356
45 F	25,144	19,310	26,889	19,951	28,809	20,886
55 F	24,206	18,736	25,812	19,359	27,671	20,201
65 F	23,381	18,167	25,727	19,527	27,280	19,942
75 F	22,462	17,565	24,200	18,610	26,028	19,209
85 F	21,560	17,119	23,100	17,833	25,080	18,735
95 F	20,460	16,347	22,000	17,578	24,068	18,075
105 F	19,360	15,720	20,851	16,640	22,660	17,403
115 F	18,259	15,045	19,359	15,680	20,678	16,191

HEATING PERFORMANCE

Outdoor Ambient Temperature (DB) (80% RH)	Indoor Entering Air Temperatures (DB)					
	65 F		70 F		75 F	
	TC	SHC	TC	SHC	TC	SHC
5 F	20,004	20,004	18,880	18,880	18,417	18,417
15 F	21,383	21,383	19,508	19,508	19,390	19,390
25 F	22,688	22,688	21,534	21,534	20,309	20,309
35 F	23,954	23,954	22,172	22,172	21,242	21,242
45 F	25,206	25,206	24,351	24,351	22,876	22,876
55 F	25,240	25,240	24,510	24,510	23,437	23,437
65 F	25,120	25,120	24,753	24,753	23,990	23,990

TC- Total Capacity (BtuH)

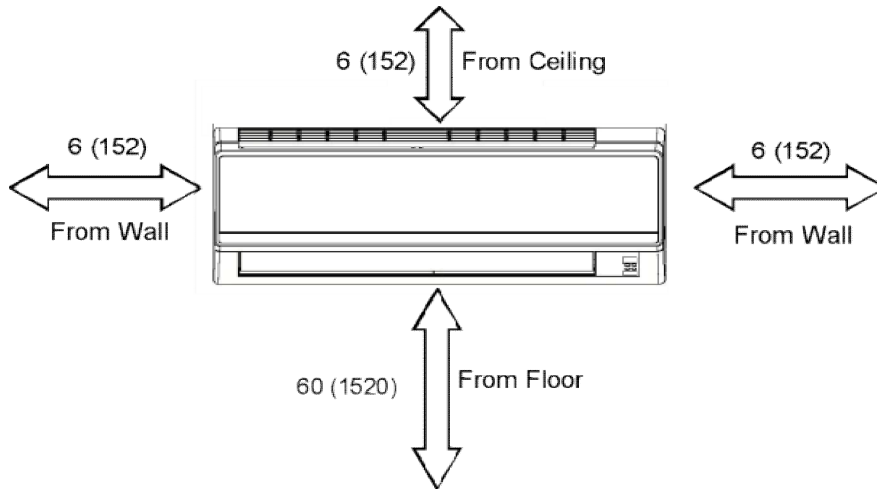
SHC- Sensible Capacity (BtuH)

Submittal Data: RIO24HP230V1A

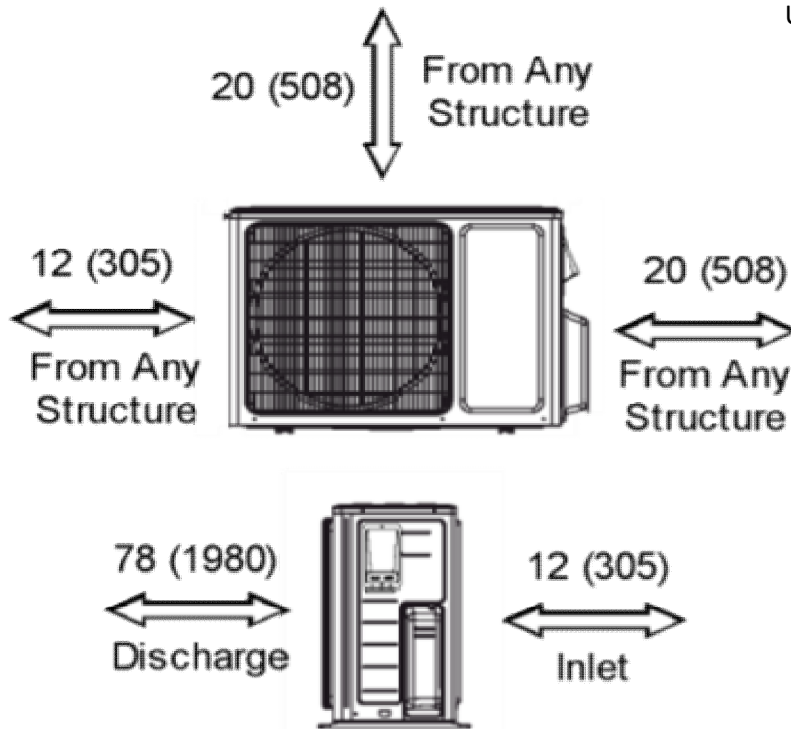
24,000 BTU/H Wall Mounted Heat- Pump System

MINIMUM SPACING REQUIREMENTS

Units: inch (mm)



Units: inch (mm)

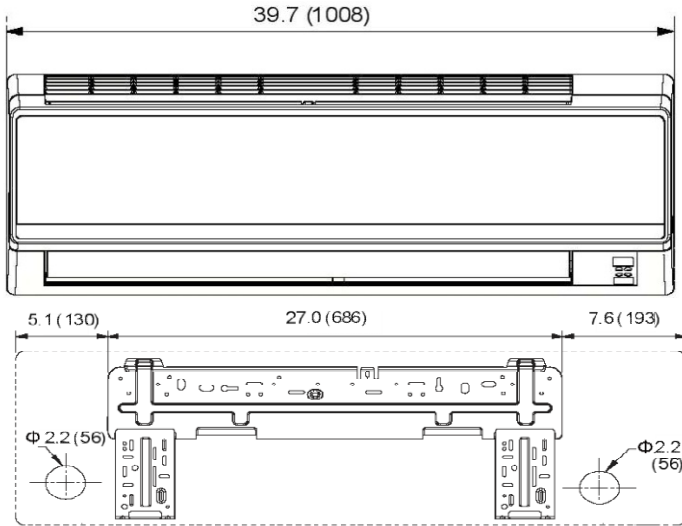


DIMENSIONAL SPECIFICATIONS

RIO24HP230V1A

INDOOR UNIT DIMENSIONS

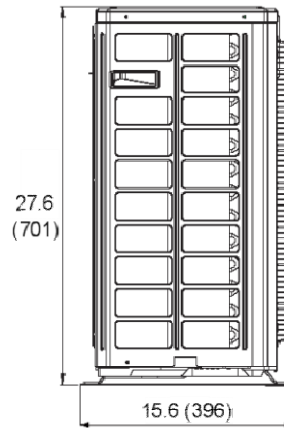
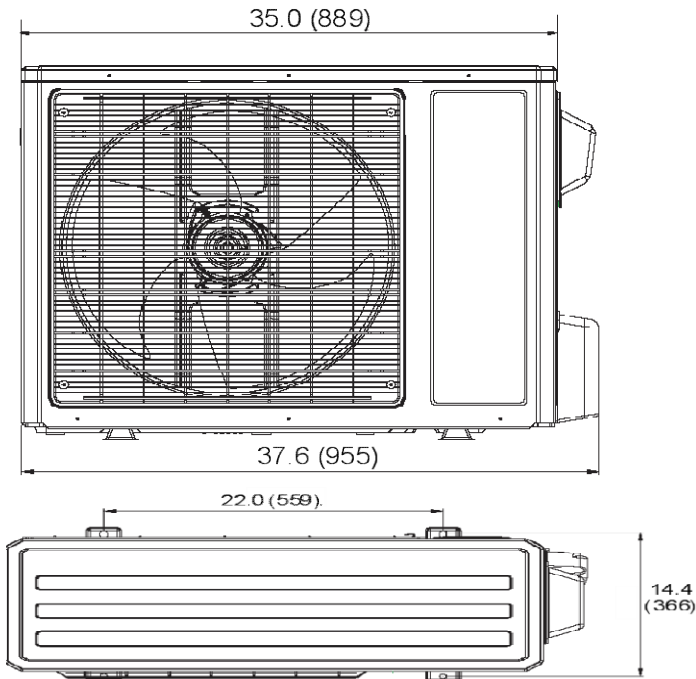
Units: inch (mm)



Liquid Line Valve	1/4-in OD Flared
Gas Line Valve	1/2-in OD Flared
Drain Connector	5/8-in OD

OUTDOOR UNIT DIMENSIONS

Units: inch (mm)



Liquid Line Valve	1/4-in OD Flared
Gas Line Valve	1/2-in OD Flared

Notes:

1. Recommended Interconnecting Cable Type Stranded Bare Copper Conductors THHN 600V Wire
2. Power wiring cable size must comply with applicable national and local codes.
3. Test conditions are based on AHRI 210/240.



www.greecomfort.com

Specifications are subject to change without notice. Manufacturer reserves the right to discontinue or modify specifications or designs without notice or without incurring obligations. All rights reserved.