

Submittal Data: RIO18HP230V1A 18,000 BTU/H Wall Mounted Heat- Pump System

Job Name Location Date

Purchaser Engineer

Submitted To For Reference Approval Construction

Unit Designation Schedule No.

GENERAL FEATURES

- Compact and Quiet Design
- High Efficiency - 16 SEER
- DC Inverter Technology
- Wireless Remote with LCD Display
- Low Ambient Cooling
- Comfortable Sleep Mode
- Intelligent Defrost
- 5 year Limited Parts Warranty
- 7 year Limited Compressor Warranty



System Ratings

Indoor Unit Data

Cooling

Rated Capacity	18,000 BTU/H
Capacity Range	4,500-21,000 BTU/H
Power Input (Max)	2,600 W
SEER	16
EER	11.1

Fan Motor	Output Power	20 W
	FLA	0.3 A

Heating at 47° F

Rated Capacity	19,200 BTU/H
Capacity Range	4,000-23,000 BTU/H
Power Input (Max)	2,400 W
HSPF	8.0
COP	2.8

Airflow

Cooling Wet (Lo/Hi)	271/471 CFM
Heating Dry (Lo/Hi)	282/494 CFM

Heating at 17° F

Rated Capacity	12,000 BTU/H
Capacity (Max)	15,905 BTU/H
Power Input (Max)	1,660 W
COP	2.1

Sound Pressure Level

Cooling (Lo/Hi)	34/48 db(A)
Heating (Lo/Hi)	34/48 db(A)

Operating Range

Cooling	(Max)	109°F (43 C)
	(Min)	5°F (-15 C)
Heating	(Max)	75°F (24 C)
	(Min)	5°F (-15 C)

Dimensions & Weights

Unit Dimensions (LxHxD)	34.0 x 12.0 x 8.5-in
Weight (Net/Shipping)	27/35 LBS

Power Supply

Normal Operational Voltage	208/230 V, 1 Phase, 60 Hz
Voltage Range	187 - 253 V
Main Power Wire Size	10-2 AWG
Interconnecting Cable Wire Size	14-4 AWG
MCA	15.0 A
MOCP/Breaker Size	25 A

Outdoor Unit Data

Compressor	DC Inverter Driven Rotary	
Refrigerant Type	R410A	
Fan Motor	Output Power	60 W
	FLA	0.6 A
Sound Pressure		
Cooling	56 db(A)	
Heating	56 db(A)	

Dimensions & Weights

Unit Dimensions (LxHxD)	37.6 x 27.6 x 15.6-in
Weight (Net/Shipping)	106/117 LBS

Refrigerant Piping Data

Gas Pipe Size (OD)	1/2-in
Liquid Pipe Size (OD)	1/4-in
Connection Method	Flared
MAX Refrigerant Pipe Length	82-ft
MIN Refrigerant Pipe Length	10-ft
MAX Refrigerant Pipe Height Difference	33-ft



EXTENDED RATINGS

COOLING PERFORMANCE

Outdoor Ambient Temperature (DB)	Indoor Entering Air Temperatures (DB) 50% RH					
	62 F		67 F		72 F	
	TC	SHC	TC	SHC	TC	SHC
25 F	22,145	16,443	23,936	17,330	25,587	18,422
35 F	21,641	16,423	23,047	16,825	24,167	17,473
45 F	20,572	15,799	22,000	16,324	23,571	17,089
55 F	19,805	15,329	21,119	15,839	22,640	16,528
65 F	19,130	14,864	21,049	15,977	22,320	16,316
75 F	18,378	14,371	19,800	15,226	21,296	15,716
85 F	17,640	14,006	18,900	14,591	20,520	15,329
95 F	16,740	13,375	18,000	14,382	19,692	14,789
105 F	15,840	12,862	17,060	13,614	18,540	14,239
115 F	14,939	12,309	15,839	12,829	16,919	13,248

HEATING PERFORMANCE

Outdoor Ambient Temperature (DB) (80% RH)	Indoor Entering Air Temperatures (DB)					
	65 F		70 F		75 F	
	TC	SHC	TC	SHC	TC	SHC
5 F	15,978	15,978	15,080	15,080	14,710	14,710
15 F	17,079	17,079	15,581	15,581	15,488	15,488
25 F	18,121	18,121	17,200	17,200	16,221	16,221
35 F	19,133	19,133	17,709	17,709	16,966	16,966
45 F	20,133	20,133	19,450	19,450	18,272	18,272
55 F	20,160	20,160	19,577	19,577	18,720	18,720
65 F	20,064	20,064	19,771	19,771	19,162	19,162

TC- Total Capacity (BtuH)

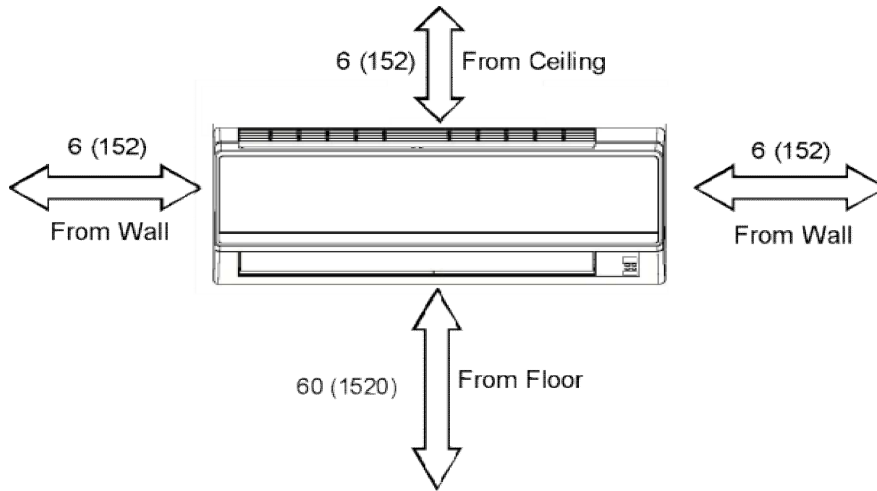
SHC- Sensible Capacity (BtuH)

Submittal Data: RIO18HP230V1A

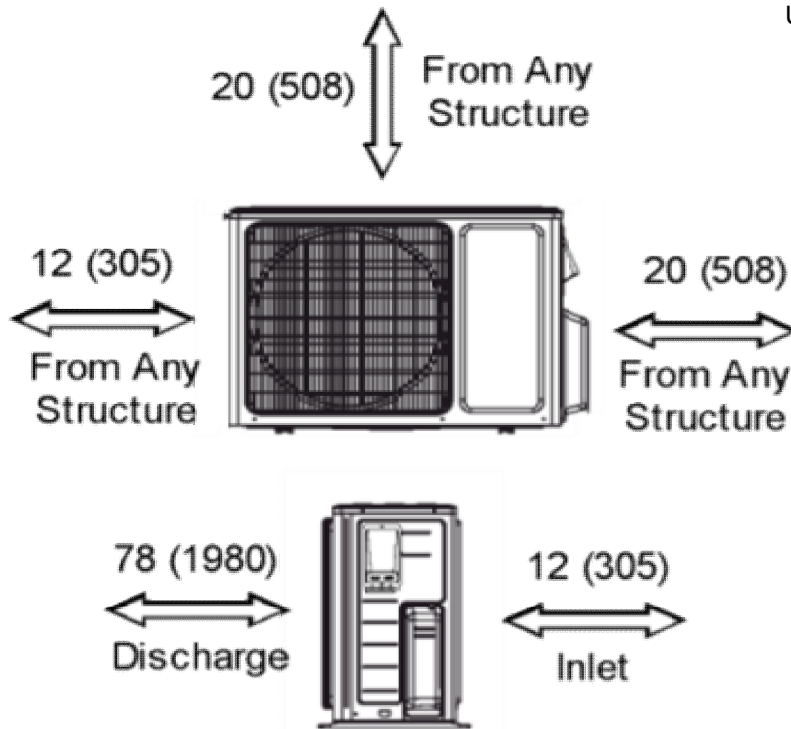
18,000 BTU/H Wall Mounted Heat- Pump System

MINIMUM SPACING REQUIREMENTS

Units: inch (mm)



Units: inch (mm)

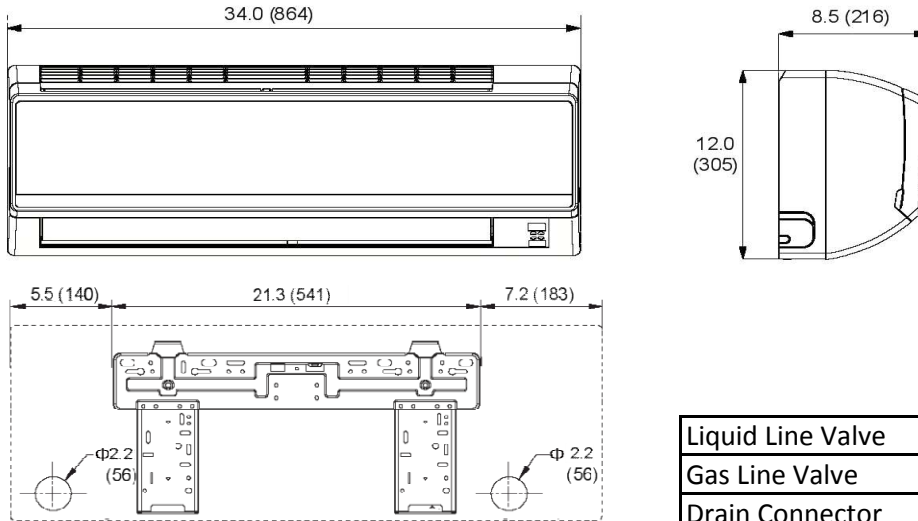


DIMENSIONAL SPECIFICATIONS

RIO18HP230V1A

INDOOR UNIT DIMENSIONS

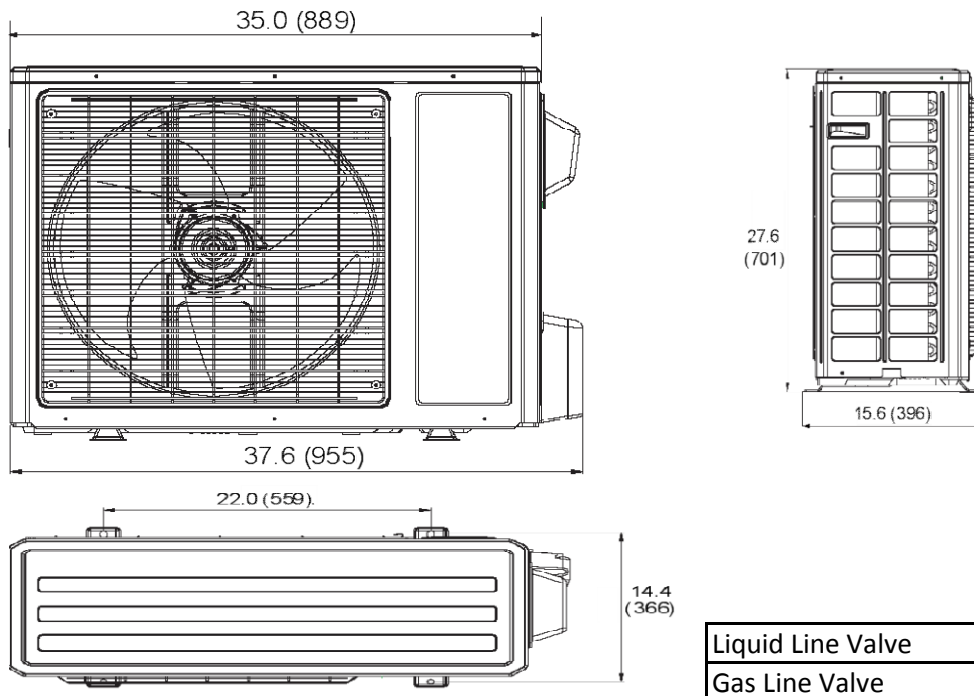
Units: inch (mm)



Liquid Line Valve	1/4-in OD Flared
Gas Line Valve	1/2-in OD Flared
Drain Connector	5/8-in OD

OUTDOOR UNIT DIMENSIONS

Units: inch (mm)



Liquid Line Valve	1/4-in OD Flared
Gas Line Valve	1/2-in OD Flared

Notes:

1. Recommended Interconnecting Cable Type Stranded Bare Copper Conductors THHN 600V Wire
2. Power wiring cable size must comply with applicable national and local codes.
3. Test conditions are based on AHRI 210/240.



www.greecomfort.com

Specifications are subject to change without notice. Manufacturer reserves the right to discontinue or modify specifications or designs without notice or without incurring obligations. All rights reserved.