

**Submittal Data: RIO12HP230V1A** 12,000 BTU/H Wall Mounted Heat- Pump System

Job Name Location Date

Purchaser Engineer

Submitted To For  Reference  Approval  Construction

Unit Designation Schedule No.

- GENERAL FEATURES**
- Compact and Quiet Design
  - High Efficiency - 16 SEER
  - DC Inverter Technology
  - Wireless Remote with LCD Display
  - Low Ambient Cooling
  - Comfortable Sleep Mode
  - Intelligent Defrost
  - 5 year Limited Parts Warranty
  - 7 year Limited Compressor Warranty



**System Ratings**

**Indoor Unit Data**

<b>Cooling</b>	
Rated Capacity	12,000 BTU/H
Capacity Range	3,300-12,500 BTU/H
Power Input (Max)	1,340 W
SEER	16
EER	9.8

<b>Fan Motor</b>	Output Power	15 W
	FLA	0.2 A
<b>Airflow</b>		
Cooling Wet (Lo/Hi)		153/341 CFM
Heating Dry (Lo/Hi)		198/350 CFM

<b>Heating at 47° F</b>	
Rated Capacity	12,000 BTU/H
Capacity Range	3,400-12,500 BTU/H
Power Input (Max)	1,050 W
HSPF	8.5
COP	3.4

<b>Sound Pressure Level</b>	
Cooling (Lo/Hi)	28/44 db(A)
Heating (Lo/Hi)	28/44 db(A)
<b>Dimensions &amp; Weights</b>	
Unit Dimensions (LxHxD)	30.3 x 11.1 x 7.9-in
Weight (Net/Shipping)	20/27 LBS

<b>Heating at 17° F</b>	
Rated Capacity	6,800 BTU/H
Capacity (Max)	9,862 BTU/H
Power Input (Max)	863 W
COP	2.4

**Outdoor Unit Data**

<b>Compressor</b>	DC Inverter Driven Rotary	
<b>Refrigerant Type</b>	R410A	
<b>Fan Motor</b>	Output Power	21 W
	FLA	0.3 A
<b>Sound Pressure</b>		
Cooling	52 db(A)	
Heating	52 db(A)	

<b>Operating Range</b>	
Cooling (Max)	109°F (43 C)
(Min)	5°F (-15 C)
Heating (Max)	75°F (24 C)
(Min)	5°F (-15 C)

<b>Dimensions &amp; Weights</b>	
Unit Dimensions (LxHxD)	28.0 x 21.7 x 12.5-in
Weight (Net/Shipping)	68/77 LBS

<b>Power Supply</b>	
Normal Operational Voltage	208/230 V, 1 Phase, 60 Hz
Voltage Range	187 - 253 V
Main Power Wire Size	14-2 AWG
Interconnecting Cable Wire Size	14-4 AWG
MCA	10.0 A
MOCP/Breaker Size	15 A

<b>Refrigerant Piping Data</b>	
Gas Pipe Size (OD)	3/8-in
Liquid Pipe Size (OD)	1/4-in
Connection Method	Flared
MAX Refrigerant Pipe Length	50-ft
MIN Refrigerant Pipe Length	10-ft
MAX Refrigerant Pipe Height Difference	33-ft



**EXTENDED RATINGS**

**COOLING PERFORMANCE**

Outdoor Ambient Temperature (DB)	Indoor Entering Air Temperatures (DB) 50% RH					
	62 F		67 F		72 F	
	TC	SHC	TC	SHC	TC	SHC
25 F	14,764	10,962	15,958	11,553	17,058	12,282
35 F	14,428	10,949	15,365	11,216	16,111	11,648
45 F	13,715	10,533	14,666	10,883	15,714	11,393
55 F	13,204	10,219	14,080	10,560	15,094	11,018
65 F	12,754	9,910	14,033	10,651	14,880	10,877
75 F	12,252	9,581	13,200	10,151	14,197	10,477
85 F	11,760	9,337	12,600	9,727	13,680	10,219
95 F	11,160	8,917	12,000	9,588	13,128	9,859
105 F	10,560	8,575	11,374	9,076	12,360	9,492
115 F	9,959	8,206	10,559	8,553	11,279	8,832

**HEATING PERFORMANCE**

Outdoor Ambient Temperature (DB) (80% RH)	Indoor Entering Air Temperatures (DB)					
	65 F		70 F		75 F	
	TC	SHC	TC	SHC	TC	SHC
5 F	9,907	9,907	9,350	9,350	9,121	9,121
15 F	10,590	10,590	9,661	9,661	9,603	9,603
25 F	11,236	11,236	10,665	10,665	10,058	10,058
35 F	11,864	11,864	10,981	10,981	10,520	10,520
45 F	12,483	12,483	12,060	12,060	11,329	11,329
55 F	12,500	12,500	12,139	12,139	11,608	11,608
65 F	12,441	12,441	12,259	12,259	11,881	11,881

TC- Total Capacity ( BtuH)

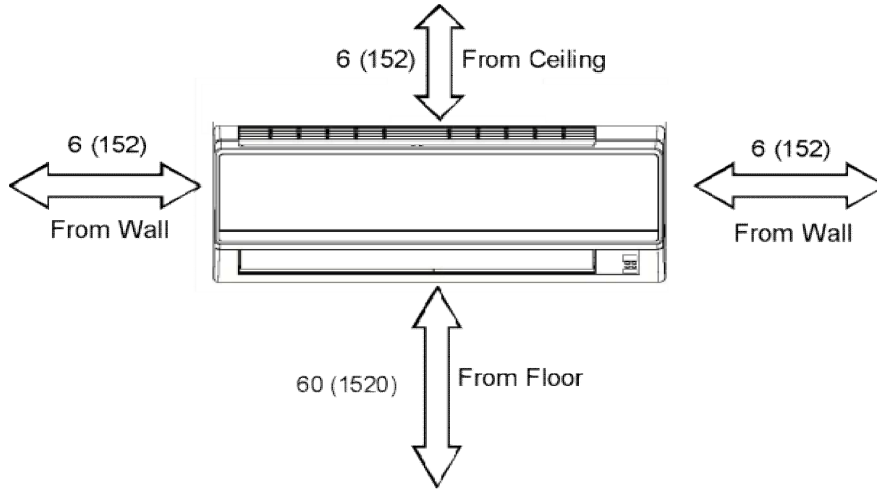
SHC- Sensible Capacity (BtuH)

**Submittal Data: RIO12HP230V1A**

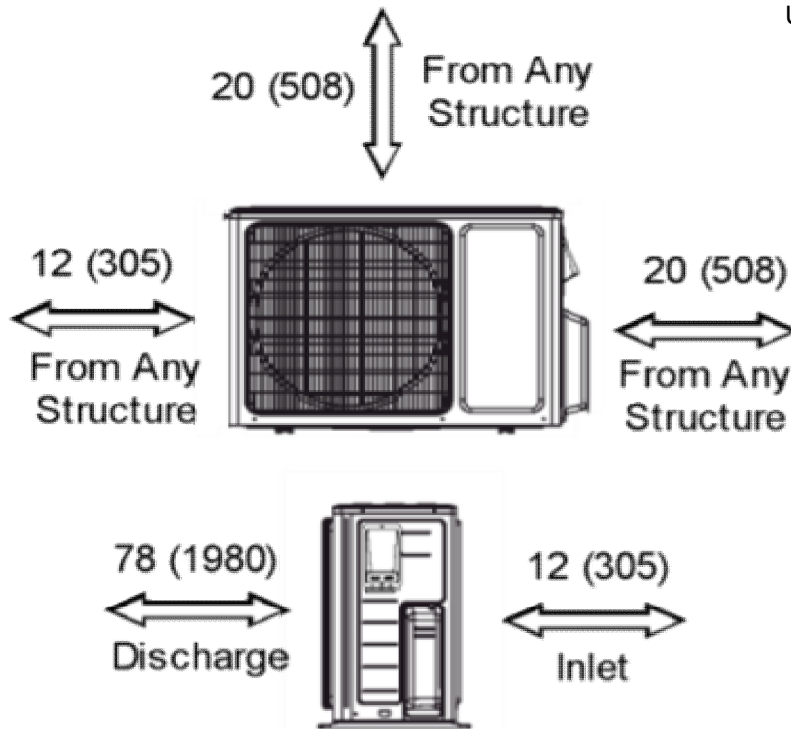
12,000 BTU/H Wall Mounted Heat- Pump System

**MINIMUM SPACING REQUIREMENTS**

Units: inch (mm)



Units: inch (mm)

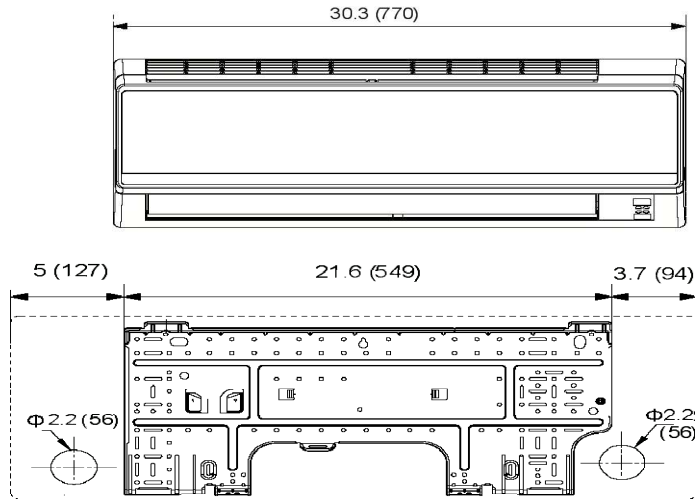


## DIMENSIONAL SPECIFICATIONS

**RIO12HP230V1A**

### INDOOR UNIT DIMENSIONS

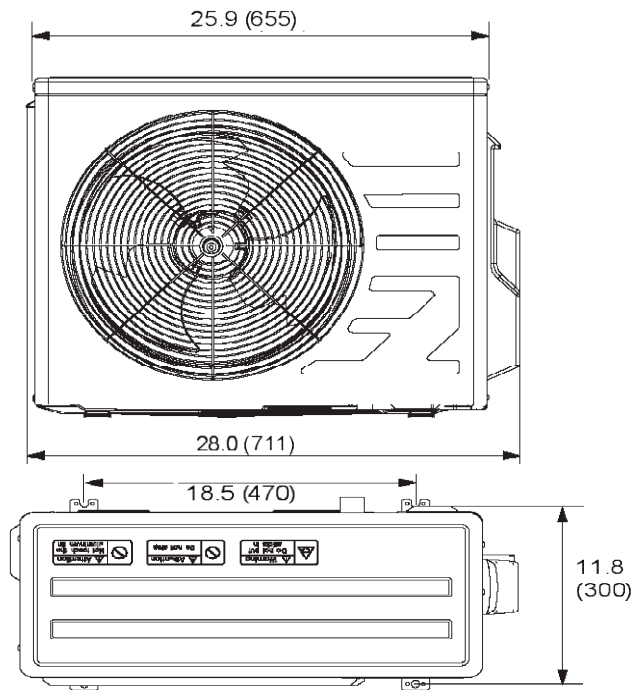
Units: inch (mm)



Liquid Line Valve	1/4-in OD Flared
Gas Line Valve	3/8-in OD Flared
Drain Connector	5/8-in OD

### OUTDOOR UNIT DIMENSIONS

Units: inch (mm)



Liquid Line Valve	1/4-in OD Flared
Gas Line Valve	3/8-in OD Flared

**Notes:**

1. Recommended Interconnecting Cable Type Stranded Bare Copper Conductors THHN 600V Wire
2. Power wiring cable size must comply with applicable national and local codes.
3. Test conditions are based on AHRI 210/240.



[www.greecomfort.com](http://www.greecomfort.com)

Specifications are subject to change without notice. Manufacturer reserves the right to discontinue or modify specifications or designs without notice or without incurring obligations. All rights reserved.