

Submittal Data: NEO30HP230V1A 30,000 BTU/H Wall Mounted Heat- Pump System

Job Name Location Date

Purchaser Engineer

Submitted To For Reference Approval Construction

Unit Designation Schedule No.

- GENERAL FEATURES**
- Compact and Quiet Design
 - Energy Star Qualified
 - High Efficiency DC Inverter Technology
 - Wireless Remote with LCD Display
 - Low Ambient Cool to 5 deg F
 - Intelligent Defrost
 - Acrylic Resin/Anti-Corrosion Coil Protection Inside & Out
 - 5 year Limited Parts Warranty
 - 7 year Limited Compressor Warranty



System Ratings

Indoor Unit Data

Cooling

Rated Capacity	28,000 BTU/H
Capacity Range	9,500-30,000 BTU/H
Power Input (Max)	3,900 W
SEER	16
EER	9.3

Fan Motor

Output Power	70 W
FLA	0.4 A

Heating at 47° F

Rated Capacity	28,400 BTU/H
Capacity Range	10,000-33,000 BTU/H
Power Input (Max)	4,000 W
HSPF	8.2
COP	2.9

Airflow

Cooling Wet (Lo/Hi)	412/706 CFM
Heating Dry (Lo/Hi)	430/737 CFM

Heating at 17° F

Rated Capacity	18,400 BTU/H
Capacity (Max)	25,609 BTU/H
Power Input (Max)	3,607 W
COP	2.3

Sound Pressure Level

Cooling (Lo/Hi)	47/58 db(A)
Heating (Lo/Hi)	47/58 db(A)

Operating Range

Cooling	(Max)	109°F (43 C)
	(Min)	5°F (-15 C)
Heating	(Max)	75°F (24 C)
	(Min)	5°F (-15 C)

Dimensions & Weights

Unit Dimensions (LxHxD)	53.1 x 12.8 x 10.0-in
Weight (Net/Shipping)	44/60 LBS

Power Supply

Normal Operational Voltage	208/230 V, 1 Phase, 60 Hz
Voltage Range	187 - 253 V
Main Power Wire Size	10-2 AWG
Interconnecting Cable Wire Size	14-4 AWG
MCA	20.0 A
MOCP/Breaker Size	30 A

Outdoor Unit Data

Compressor DC Inverter Driven Rotary

Refrigerant Type R410A

Fan Motor

Output Power	150 W
FLA	0.5 A

Sound Pressure

Cooling	62 db(A)
Heating	62 db(A)

Dimensions & Weights

Unit Dimensions (LxHxD)	38.6 x 31.1 x 16.8 -in
Weight (Net/Shipping)	154/163 LBS

Refrigerant Piping Data

Gas Pipe Size (OD)	5/8-in
Liquid Pipe Size (OD)	1/4-in
Connection Method	Flared
MAX Refrigerant Pipe Length	100-ft
MIN Refrigerant Pipe Length	10-ft
MAX Refrigerant Pipe Height Difference	33-ft



EXTENDED RATINGS

COOLING PERFORMANCE

Outdoor Ambient Temperature (DB)	Indoor Entering Air Temperatures (DB) 50% RH					
	62 F		67 F		72 F	
	TC	SHC	TC	SHC	TC	SHC
25 F	33,458	22,145	34,789	22,987	36,247	23,697
35 F	32,149	21,459	33,987	22,358	35,781	23,154
45 F	31,268	21,136	32,147	22,135	35,147	22,145
55 F	30,214	20,789	31,569	21,458	34,157	21,897
65 F	29,164	20,256	31,128	21,597	33,987	21,135
75 F	28,157	20,174	30,224	21,154	33,129	20,984
85 F	27,489	19,247	29,157	20,147	32,167	20,794
95 F	26,472	18,457	28,504	19,356	31,875	20,148
105 F	26,235	18,324	28,126	19,123	30,247	19,546
115 F	25,478	17,952	27,268	18,137	28,159	18,957

HEATING PERFORMANCE

Outdoor Ambient Temperature (DB) (80% RH)	Indoor Entering Air Temperatures (DB)					
	65 F		70 F		75 F	
	TC	SHC	TC	SHC	TC	SHC
5 F	25,445	25,445	24,578	24,578	22,658	22,658
15 F	27,589	27,589	25,147	25,147	23,547	23,547
25 F	29,547	29,547	27,458	27,458	24,789	24,789
35 F	30,254	30,254	28,154	28,154	26,145	26,145
45 F	31,257	31,257	30,122	30,122	29,867	29,867
55 F	32,589	32,589	31,472	31,472	30,214	30,214
65 F	33,438	33,438	31,892	31,892	31,112	31,112

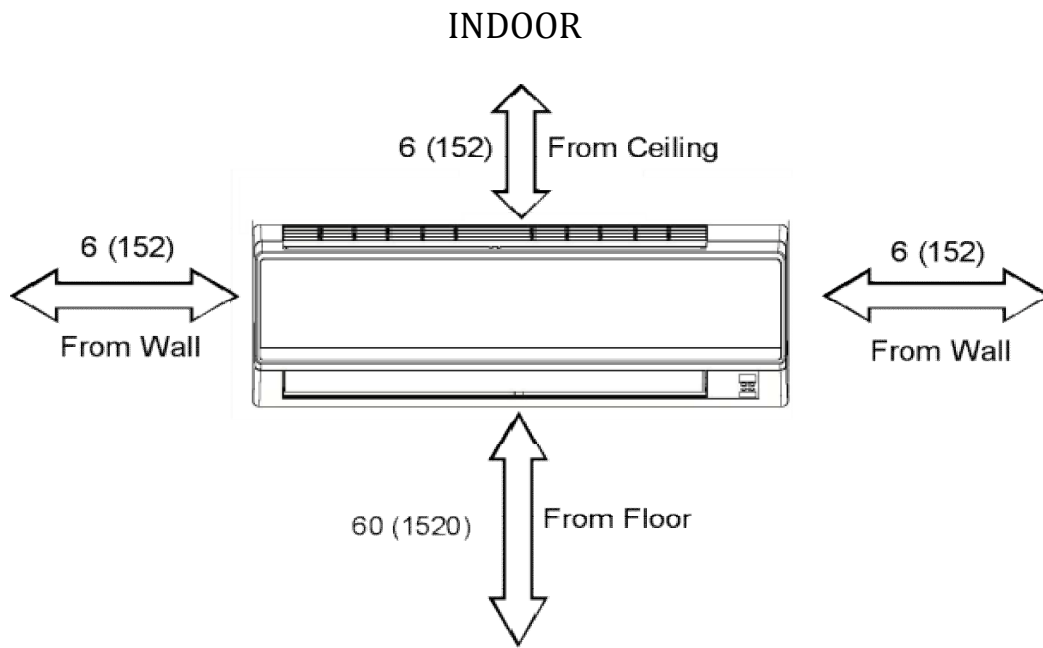
TC- Total Capacity (BtuH)

SHC- Sensible Capacity (BtuH)

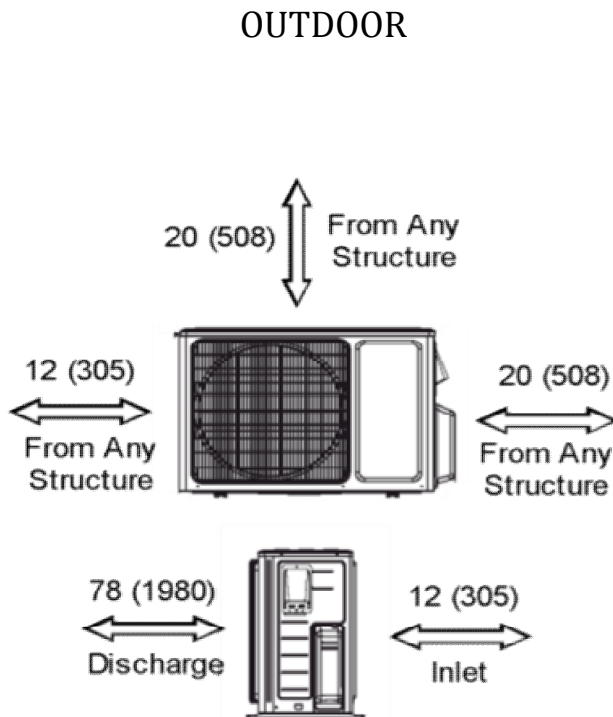


MINIMUM SPACING REQUIREMENTS

Units: inch (mm)



Units: inch (mm)

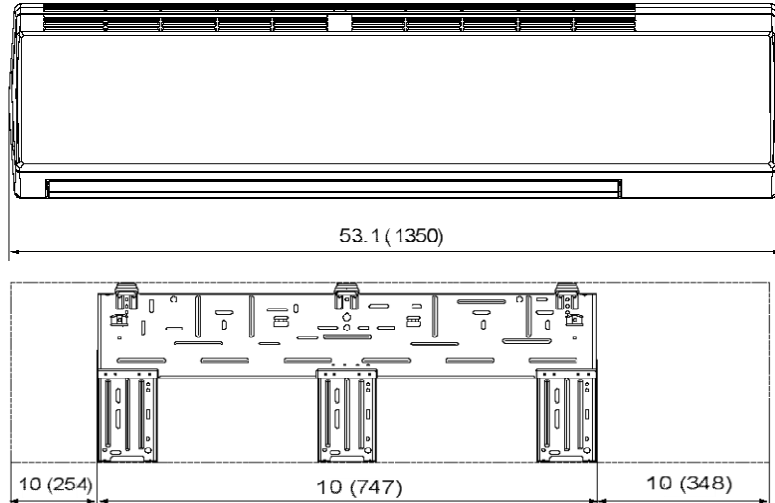


DIMENSIONAL SPECIFICATIONS

NEO30HP230V1A

INDOOR UNIT DIMENSIONS

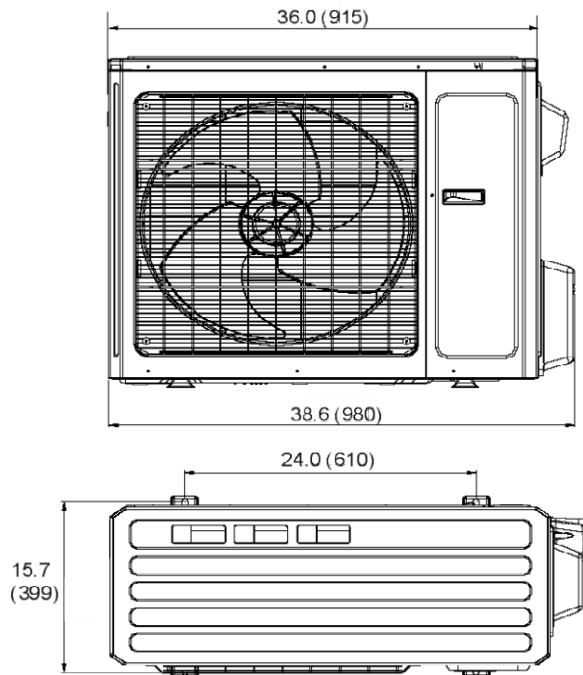
Units: inch (mm)



Liquid Line Valve	1/4-in OD Flared
Gas Line Valve	5/8-in OD Flared
Drain Connector	5/8-in OD

OUTDOOR UNIT DIMENSIONS

Units: inch (mm)



Liquid Line Valve	1/4-in OD Flared
Gas Line Valve	5/8-in OD Flared

Notes:

1. Recommended Interconnecting Cable Type Stranded Bare Copper Conductors THHN 600V Wire
2. Power wiring cable size must comply with applicable national and local codes.
3. Test conditions are based on AHRI 210/240.



www.greecomfort.com

Specifications are subject to change without notice. Manufacturer reserves the right to discontinue or modify specifications or designs without notice or without incurring obligations. All rights reserved.