

Submittal Data: MULTI18HP230V1AO **18,000 BTU/H Wall Mounted Heat- Pump System**

Job Name _____ **Location** _____ **Date** _____

Purchaser _____ **Engineer** _____

Submitted To _____ **For** Reference Approval Construction

Unit Designation _____ **Schedule No.** _____

- GENERAL FEATURES**
- Single or Dual Indoor Units Comfort (2-Port)
 - G10 DC Inverter Technology
 - Quiet Operation - Both Indoor & Outdoor
 - Wireless Remote Controller
 - Optional Wired Remote Controller
 - Acrylic Resin / Anti-Corrosion Coil Coating
 - Intelligent Defrost
 - Auto Restart on Power Outages
 - Limited 7 yr Compressor & 5 yr Parts Warranty



System Ratings

Cooling	
Rated Capacity	18,000 BTU/H
Capacity Range	7,000-21,000 BTU/H
Power Input (Max)	1650 W
SEER	16.0
EER	10.2

Outdoor Unit Data

Compressor	Type	DC Inverter Driven Rotary
	RLA	9.6 A
Fan Motor	Output Power	60 W
	FLA	0.5 A
	Air Flow (Max)	1530 CFM

Heating at 47° F	
Rated Capacity	19,000 BTU/H
Capacity Range	8,530-22,600 BTU/H
Input Power (Max)	1,640 W
HSPF	8.2
COP	3.0

Sound Level	
Cooling	56 db(A)
Heating	56 db(A)

Heating at 17° F	
Rated Capacity	9,600 BTU/H
Capacity (Max)	16,485 BTU/H

Dimensions & Weights	
Unit Dimensions (LxHxD)	35.4 x 23.5 x 14.9 - in
Weight (Net/Shipping)	95/106 LBS

Operating Range		
Cooling	(Max)	118 ^{°F} (48 C)
	(Min)	23 ^{°F} (-5 C)
Heating	(Max)	80 ^{°F} (27 C)
	(Min)	5 (-15 C)

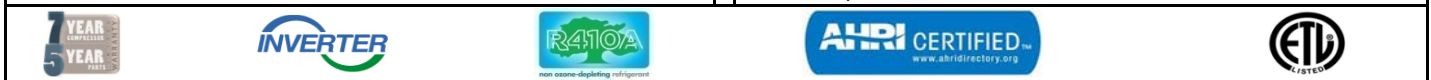
Min. Number of Indoor Units	1
Max. Number of Indoor Units	2

Power Supply

Normal Operational Voltage	208/230 V, 1 Phase, 60 Hz
Voltage Range	187 - 253 V
Main Power Wire Size	12-2 AWG
Interconnecting Cable Wire Size	14-4 AWG
MCA	13.0 A
MOCP/Breaker Size	20 A

Refrigerant Piping Data

Refrigerant Type	R410A
Connection Method	Flared
Factory Charge for Total Line Length	33-ft
Additional Charge Per Line Length	0.2-oz/ft
Total Refrigerant Pipe Length	66-ft
Max Refrigerant Piping Length to any Indoor Unit	33-ft
Min Refrigerant Piping Length to any Indoor Unit	10-ft
Max Elevation between Indoor Units	16-ft
Max Lift from Outdoor to Indoor Unit	33-ft
Max Drop from Outdoor to Indoor Unit	33-ft

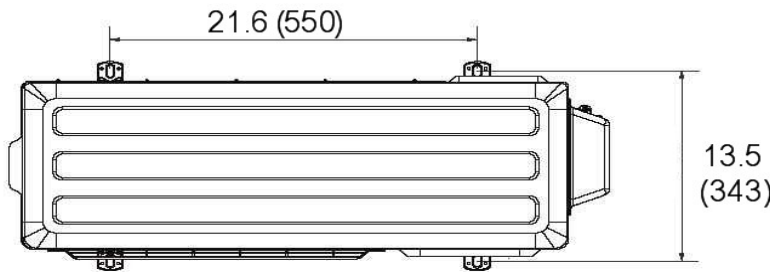
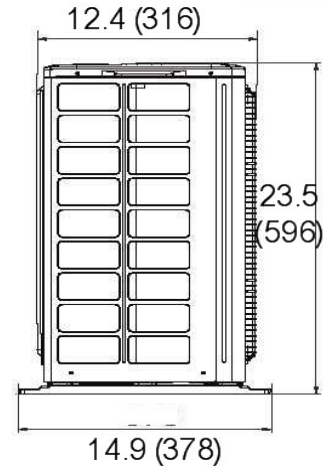
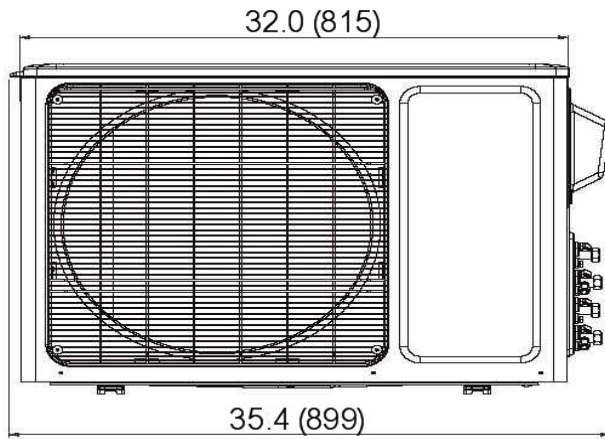


Units: inch (mm)



18,000 BTUH MODEL

Model # MULTI18HP230V1AO 18,000 BTUH 230V



Suction/Gas Line Port Size

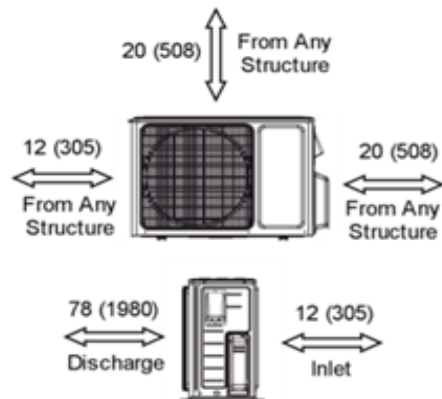
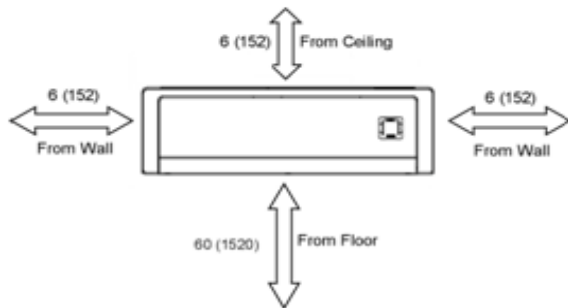
Port #1	3/8-in OD Flared
Port #2	3/8-in OD Flared

Liquid Line Port Size

Port #1	1/4-in OD Flared
Port #2	1/4-in OD Flared

MINIMUM SPACING REQUIREMENTS

Units: inch (mm)



Notes:

1. Recommended Interconnecting Cable Type Stranded Bare Copper Conductors THHN 600V Unshielded Wire
2. Power wiring cable size must comply with applicable national and local codes.
3. Test conditions are based on AHRI 210/240.



Specifications are subject to change without notice. Manufacturer reserves the right to discontinue or modify specifications or designs without notice or without incurring obligations. All rights reserved.

COOLING CAPACITY (BTUH)

Indoor Units Combinations	Rated System Capacity (BtuH)	Capacity Rating (Min.~Max.) BtuH	Indoor Unit A (BtuH)	Indoor Unit B (BtuH)	Indoor Unit C (BtuH)	Indoor Unit D (BtuH)
9K	9,000	5,118~11,940	9,000			
12K	12,000	6,824~15,000	12,000			
9K+9K	18,000	7,000~21,000	9,000	9,000		
9K+12K	21,000	7,100~22,000	9,000	12,000		
12K+12K	24,000	7,200~22,000	12,000	12,000		

HEATING CAPACITY (BTUH)

Indoor Units Combinations	Rated System Capacity (BtuH)	Capacity Rating (Min.~Max.) BtuH	Indoor Unit A (BtuH)	Indoor Unit B (BtuH)	Indoor Unit C (BtuH)	Indoor Unit D (BtuH)
9K	9,500	5,460~15,360	9,500			
12K	13,000	6,150~16,400	13,000			
9K+9K	19,000	8,530~22,600	9,500	9,500		
9K+12K	22,500	8,530~22,600	9,500	13,000		
12K+12K	26,000	8,530~22,600	13,000	13,000		

Capacity data is based on the following conditions :

Cooling Nominal Test Conditions

Indoor: 80°F DB/67°F WB

Outdoor: 95°F DB/75°F WB

Heating Nominal Test Conditions

Indoor: 70°F DB/60°F WB

Outdoor: 47°F DB/43°F W



www.greecomfort.com

Specifications are subject to change without notice. Manufacturer reserves the right to discontinue or modify specifications or designs without notice or without incurring obligations. All rights reserved.

COOLING PERFORMANCE

Outdoor Ambient Temperature (DB)	Indoor Entering Air Temperatures (DB) 50% RH					
	62 F		67 F		72 F	
	TC	SHC	TC	SHC	TC	SHC
25 F	22,145	16,443	23,936	17,330	25,587	18,422
35 F	21,641	16,423	23,047	16,825	24,167	17,473
45 F	20,572	15,799	22,000	16,324	23,571	17,089
55 F	19,805	15,329	21,119	15,839	22,640	16,528
65 F	19,130	14,864	21,049	15,977	22,320	16,316
75 F	18,378	14,371	19,800	15,226	21,296	15,716
85 F	17,640	14,006	18,900	14,591	20,520	15,329
95 F	16,740	13,375	18,000	14,382	19,692	14,789
105 F	15,840	12,862	17,060	13,614	18,540	14,239
115 F	14,939	12,309	15,839	12,829	16,919	13,248

HEATING PERFORMANCE

Outdoor Ambient Temperature (DB) (80% RH)	Indoor Entering Air Temperatures (DB)					
	65 F		70 F		75 F	
	TC	SHC	TC	SHC	TC	SHC
5 F	15,608	15,608	14,731	14,731	14,370	14,370
15 F	16,684	16,684	15,221	15,221	15,130	15,130
25 F	17,702	17,702	16,802	16,802	15,846	15,846
35 F	18,691	18,691	17,300	17,300	16,574	16,574
45 F	19,667	19,667	19,000	19,000	17,849	17,849
55 F	19,693	19,693	19,124	19,124	18,287	18,287
65 F	19,600	19,600	19,314	19,314	18,719	18,719

TC- Total Capacity (BtuH)

SHC- Sensible Capacity (BtuH)



www.greecomfort.com

Specifications are subject to change without notice. Manufacturer reserves the right to discontinue or modify specifications or designs without notice or without incurring obligations. All rights reserved.