

Submittal Data: CROWN12HP230V1A 12,000 BTU/H Wall Mounted Heat- Pump System

Job Name _____ Location _____ Date _____

Purchaser _____ Engineer _____

Submitted To _____ For Reference Approval Construction

Unit Designation _____ Schedule No. _____

- GENERAL FEATURES**
- Variable Speed (Inverter) Two-Stage Compressor
 - Low Ambient Heating (down to -22° F)
 - Wi Fi Controls
 - 7 Indoor Fan Speeds
 - 4 Way Airflow Operation
 - Wireless Remote with LCD Display
 - I-FEEL Function
 - 5 year Limited Parts Warranty
 - 7 year Limited Compressor Warranty



System Ratings

Cooling	
Rated Capacity	12,000 BTU/H
Capacity Range	2,900 -15,354 BTU/H
Power Input (Max)	1,500 W
Dehumidification	
SEER	23.0
EER	12.7

Heating at 47° F	
Rated Capacity	13,000 BTU/H
Capacity Range	3,071 -18,766 BTU/H
Power Input (Max)	1,600 W
HSPF	11.0
COP	3.1

Heating at 17° F	
Rated Capacity	8,500 BTU/H
Capacity (Max)	12,240 BTU/H
Power Input (Max)	1,0436 W
COP	2.0

Operating Range		
Cooling	(Max)	129°F (54 C)
	(Min)	0°F (-18 C)
Heating	(Max)	75°F (24 C)
	(Min)	-22°F (-30 C)

Power Supply	
Normal Operational Voltage	208/230 V, 1 Phase, 60 Hz
Voltage Range	187 - 253 V
Main Power Wire Size	12-2 AWG
Interconnecting Cable Wire Size	14-4 AWG
MCA	13 A
MOCP/Breaker Size	20 A

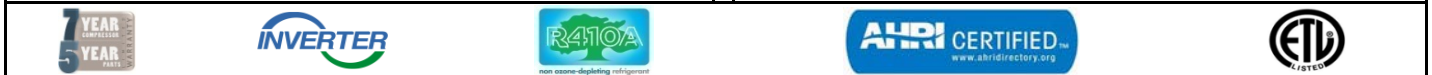
Indoor Unit Data

Fan Motor	Type	Cross-flow
	Output Power	20 W
	FLA	0.2 A
Airflow	(Low/High)	265/471 CFM
Air Throw	(Max)	29.5 ft
Sound Pressure Level		
	Cooling (Low/High)	23/42 db(A)
	Heating (Low/High)	23/42 db(A)
Dehumidification		3.0 pt/hr

Outdoor Unit Data

Compressor	Type	DC Inverter Driven 2-Stage Rotary
	FLA	9.5A
Fan Motor	Output Power	30 W
	FLA	0.36 A
Sound Pressure		55 db(A)

Refrigerant Piping Data	
Gas Pipe Size (OD)	1/2-in
Liquid Pipe Size (OD)	1/4-in
Connection Method	Flared
Factory Charge	R410a/49.4 oz
Additional Charge	0.21 oz /ft
Pre-Charge Length	25-ft
Max Refrigerant Pipe Length	66-ft
Min Refrigerant Pipe Length	10-ft
Min Refrigerant Pipe Height Difference	33-ft



COOLING PERFORMANCE (BtuH)*

Outdoor Ambient Temperature (DB)	Indoor Entering Air Temperatures							
	65°F DB		68°F DB		73°F DB		79°F DB	
	55°F WB		57°F WB		61°F WB		64°F WB	
	TC	SHC	TC	SHC	TC	SHC	TC	SHC
5°F	6,690	5,240	7,290	5,720	7,730	6,060	8,260	6,480
14°F	6,990	5,480	7,660	6,000	8,090	6,340	8,640	6,770
23°F	7,800	6,120	8,390	6,580	8,970	7,040	9,560	7,500
32°F	8,220	6,440	8,830	6,930	9,450	7,410	10,060	7,890
41°F	8,870	6,950	9,500	7,460	10,150	7,960	10,730	8,410
50°F	9,320	7,300	9,970	7,830	10,640	8,340	11,200	8,780
59°F	9,460	7,420	10,170	7,980	10,880	8,530	11,590	9,090
68°F	10,800	8,470	11,520	9,040	12,240	9,600	12,720	9,980
77°F	10,660	8,360	11,380	8,930	12,110	9,500	12,600	9,880
86°F	10,110	7,930	10,820	8,490	11,540	9,060	12,120	9,510
95°F	9,530	7,480	10,240	8,030	10,960	8,590	11,670	9,160
104°F	9,030	7,080	9,750	7,650	10,460	8,200	11,170	8,760
113°F	8,530	6,690	9,250	7,250	9,960	7,810	10,680	8,370
122°F	8,280	6,490	9,000	7,060	9,600	7,530	10,320	8,100

HEATING PERFORMANCE (BtuH)*

Outdoor Ambient Temperature (DB)	Indoor Entering Air Temperatures							
	65°F DB		68°F DB		73°F DB		79°F DB	
	55°F WB		57°F WB		61°F WB		64°F WB	
	TC	SHC	TC	SHC	TC	SHC	TC	SHC
-22°F	10,100	10,100	9,800	9,800	9,700	9,700	9,600	9,600
-4°F	11,110	11,110	10,770	10,770	10,670	10,670	10,560	10,560
0°F	11,990	11,990	11,630	11,630	11,510	11,510	11,400	11,400
6°F	12,630	12,630	12,240	12,240	12,120	12,120	12,000	12,000
10°F	12,630	12,630	12,240	12,240	12,120	12,120	12,000	12,000
16°F	12,630	12,630	12,240	12,240	12,120	12,120	12,000	12,000
19°F	12,630	12,630	12,240	12,240	12,120	12,120	12,000	12,000
24°F	12,630	12,630	12,240	12,240	12,120	12,120	12,000	12,000
32°F	12,630	12,630	12,240	12,240	12,120	12,120	12,000	12,000
41°F	12,630	12,630	12,240	12,240	12,120	12,120	12,000	12,000
43°F	12,630	12,630	12,240	12,240	12,120	12,120	12,000	12,000
47°F	12,630	12,630	12,240	12,240	12,120	12,120	12,000	12,000
53°F	12,750	12,750	12,370	12,370	12,240	12,240	12,120	12,120
59°F	13,040	13,040	12,650	12,650	12,520	12,520	12,400	12,400
64°F	13,320	13,320	12,920	12,920	12,790	12,790	12,660	12,660
70°F	13,580	13,580	13,160	13,160	13,030	13,030	12,900	12,900
75°F	13,760	13,760	13,350	13,350	13,210	13,210	13,080	13,080
78°F	13,890	13,890	13,470	13,470	13,330	13,330	13,200	13,200

* Maximum system capacity

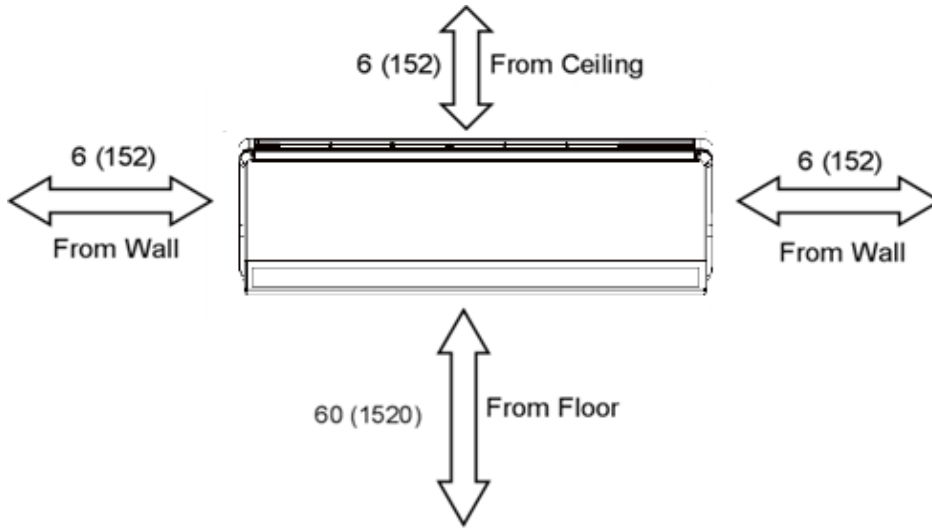
TC- Total Capacity (BtuH)
 SHC- Sensible Capacity (BtuH)



MINIMUM SPACING REQUIREMENTS

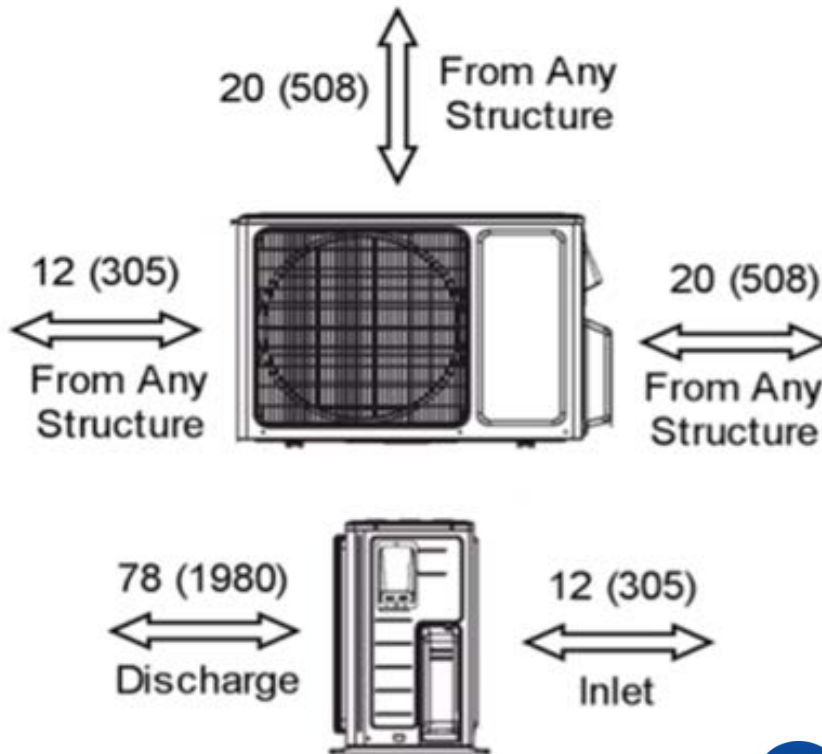
Units: inch (mm)

INDOOR



Units: inch (mm)

OUTDOOR



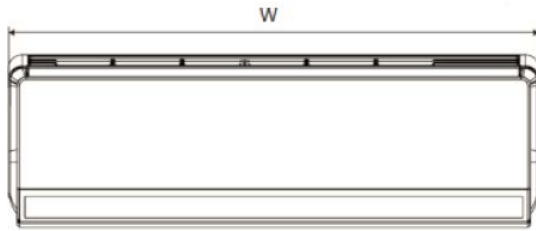
DIMENSIONAL SPECIFICATIONS

CROWN12HP230V1A

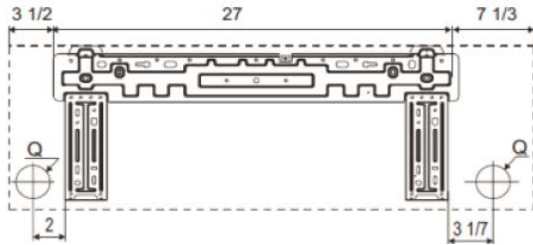
INDOOR UNIT DIMENSIONS

Units: inch

Model No: CROWN12HP230V1AH



Dimensions	
W	37.8
H	12.6
D	8.0



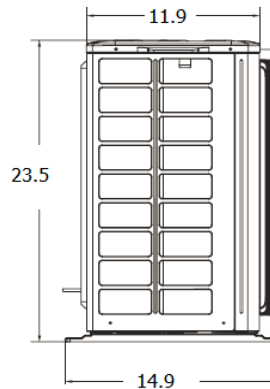
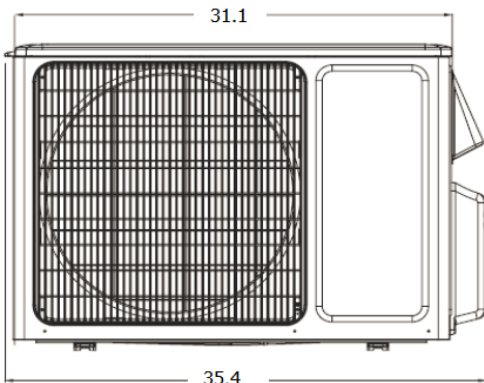
Weight (Net/Shipping) 31/37 LBS

Liquid Line Valve	1/4-in OD Flared
Gas Line Valve	1/2-in OD Flared
Drain Connector	5/8-in OD

OUTDOOR UNIT DIMENSIONS

Units: inch

Model No: CROWN12HP230V1AO



Liquid Line Valve	1/4-in OD Flared
Gas Line Valve	1/2-in OD Flared

Weight (Net/Shipping) 97/104 LBS

Notes:

1. Recommended Interconnecting Cable Type 14 AWG 4 Stranded Bare Copper Conductors THHN 600V Wire
2. Power wiring cable size must comply with applicable national and local codes.
3. Test conditions are based on AHRI 210/240.



Specifications are subject to change without notice. Manufacturer reserves the right to discontinue or modify specifications or designs without notice or without incurring obligations. All rights reserved.